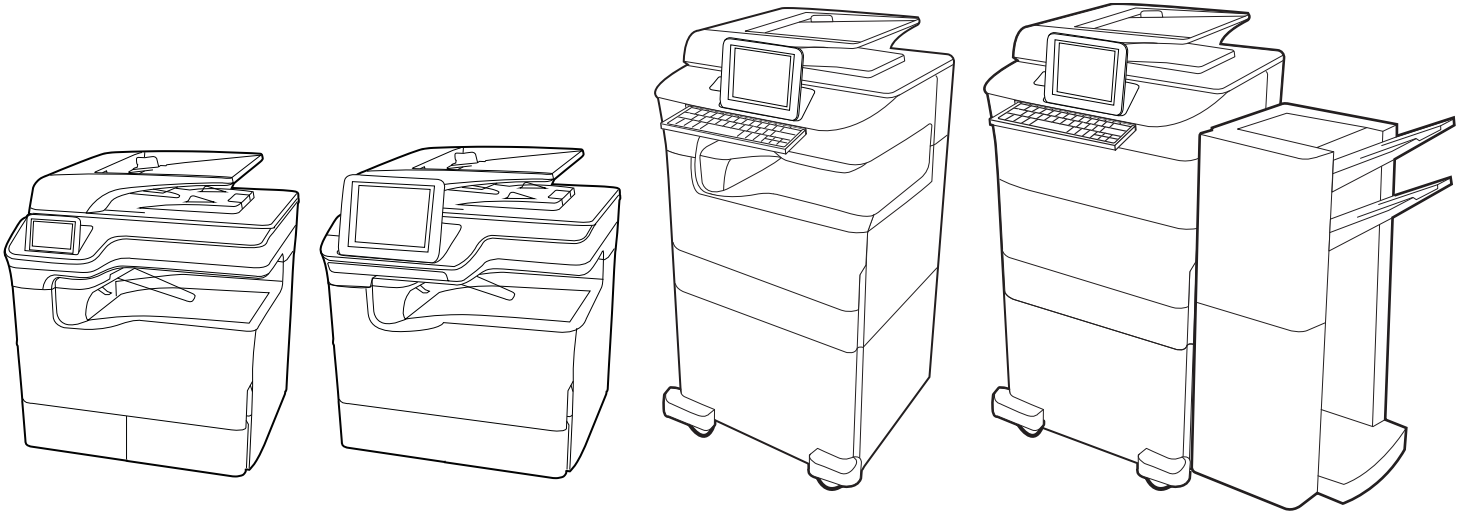




HP PageWide Managed Color MFP E77650, E77660  
HP PageWide Managed Color MFP P77440  
HP PageWide Managed Color MFP P77940, P77950, P77960  
HP PageWide Managed Color Flow MFP E77650, E77660

## User Guide



[www.hp.com/videos/PageWide](http://www.hp.com/videos/PageWide)  
[www.hp.com/support/pwcolormfpE77650](http://www.hp.com/support/pwcolormfpE77650)  
[www.hp.com/support/pwcolormfpE77660](http://www.hp.com/support/pwcolormfpE77660)  
[www.hp.com/support/pwcolorP77940mfp](http://www.hp.com/support/pwcolorP77940mfp)

[www.hp.com/support/pwcolorP77950mfp](http://www.hp.com/support/pwcolorP77950mfp)  
[www.hp.com/support/pwcolorP77960mfp](http://www.hp.com/support/pwcolorP77960mfp)  
[www.hp.com/support/pwcolorP77440mfp](http://www.hp.com/support/pwcolorP77440mfp)





HP PageWide Managed Color MFP E77650, E77660, HP PageWide Managed Color MFP P77440, HP PageWide Managed Color MFP P77940, P77950, P77960, HP PageWide Managed Color Flow MFP E77650, E77660

User Guide

## Copyright and License

© Copyright 2020 HP Development Company, L.P.

Reproduction, adaptation, or translation without prior written permission is prohibited, except as allowed under the copyright laws.

The information contained herein is subject to change without notice.

The only warranties for HP products and services are set forth in the express warranty statements accompanying such products and services. Nothing herein should be construed as constituting an additional warranty. HP shall not be liable for technical or editorial errors or omissions contained herein.

Edition 5, 12/2020

## Trademark Credits

Adobe®, Adobe Photoshop®, Acrobat®, and PostScript® are trademarks of Adobe Systems Incorporated.

Apple and the Apple logo are trademarks of Apple Inc., registered in the U.S. and other countries.

macOS is a trademark of Apple Inc., registered in the U.S. and other countries.

AirPrint is a trademark of Apple Inc., registered in the U.S. and other countries.

Google™ is a trademark of Google Inc.

Microsoft®, Windows®, and Windows Server® are U.S. registered trademarks of Microsoft Corporation.

UNIX® is a registered trademark of The Open Group.

---

# Table of contents

<b>1 Printer overview</b>	<b>1</b>
Caution icons	1
Potential shock hazard	2
Printer views	4
Printer specifications	19
Printer hardware setup and software installation	34
<b>2 Paper trays</b>	<b>37</b>
Load paper to Tray 1 (multipurpose tray)	38
Load paper to Tray 2	45
Load the 4,000-sheet high-capacity input (HCI) tray	53
Load and print envelopes	59
Load and print labels	61
Configure inner finisher stapling (E77650dns, E77650zs, E77660dns, E77660zs, P77940dns, P77950dns, and P77960dns models only)	63
<b>3 Supplies, accessories, and parts</b>	<b>67</b>
Order supplies, accessories, and parts	68
Replace the toner cartridges	72
Replace the service fluid container	76
<b>4 Print</b>	<b>81</b>
Print tasks (Windows)	82
Print tasks (macOS)	86
Store print jobs on the printer to print later or print privately	89
Mobile printing	93
Print from a USB flash drive	97
Print using high-speed USB 2.0 port (wired)	100
<b>5 Copy</b>	<b>101</b>
Make a copy	101

Copy on both sides (duplex) .....	103
Additional copy tasks .....	105
<b>6 Scan .....</b>	<b>107</b>
Set up Scan to Email .....	108
Set up Scan to Network Folder .....	123
Set up Scan to SharePoint .....	137
Set up Scan to USB Drive .....	143
Scan to email .....	147
Scan to job storage .....	150
Scan to network folder .....	153
Scan to SharePoint .....	156
Scan to USB drive .....	158
Use HP JetAdvantage business solutions .....	160
Additional scan tasks .....	160
<b>7 Fax .....</b>	<b>161</b>
Set up fax .....	162
Change fax configurations .....	163
Send a fax .....	165
Create a fax printing schedule .....	168
Block incoming faxes .....	169
Additional fax tasks .....	169
<b>8 Manage the printer .....</b>	<b>171</b>
Advanced configuration with the HP Embedded Web Server (EWS) .....	172
Configure IP network settings .....	183
Printer security features .....	186
Energy-conservation settings .....	189
HP Web Jetadmin .....	190
Software and firmware updates .....	190
<b>9 Solve problems .....</b>	<b>191</b>
Control panel help system .....	191
Reset factory settings .....	193
A “Cartridge is low” or “Cartridge is very low” message displays on the printer control panel .....	193
Printer does not pick up paper or misfeeds .....	195
Clear paper jams .....	203
Resolving color print quality problems .....	237
Improve copy image quality .....	254

Improve scan image quality .....	258
Improve fax image quality .....	262
Solve wired network problems .....	265
Solve wireless network problems .....	265
Solve fax problems .....	266

<b>Index .....</b>	<b>271</b>
--------------------	------------





---

# 1 Printer overview

Review the location of features on the printer, the physical and technical specifications of the printer, and where to locate setup information.

For video assistance, see [www.hp.com/videos/PageWide](http://www.hp.com/videos/PageWide).

The following information is correct at the time of publication. For current information, see [www.hp.com/support/pwcolormfpE77650](http://www.hp.com/support/pwcolormfpE77650), or [www.hp.com/support/pwcolormfpE77660](http://www.hp.com/support/pwcolormfpE77660), or [www.hp.com/support/pwcolorP77940mfp](http://www.hp.com/support/pwcolorP77940mfp), or [www.hp.com/support/pwcolorP77950mfp](http://www.hp.com/support/pwcolorP77950mfp), or [www.hp.com/support/pwcolorP77960mfp](http://www.hp.com/support/pwcolorP77960mfp), or [www.hp.com/support/pwcolorP77440mfp](http://www.hp.com/support/pwcolorP77440mfp).

## For more information:

HP's all-inclusive help for the printer includes the following information:

- Install and configure
- Learn and use
- Solve problems
- Download software and firmware updates
- Join support forums
- Find warranty and regulatory information

## Caution icons

Use caution if you see a warning icon on your HP printer, as indicated in the icon definitions.

- Caution: Sharp edge in close proximity.



- Caution: Keep body parts away from moving parts.



- Caution: Hot surface.



- Caution: Electrical shock.



- Warning



## Potential shock hazard

Review this important safety information.

- Read and understand these safety statements to avoid an electrical shock hazard.
- Always follow basic safety precautions when using this product to reduce risk of injury from fire or electric shock.
- Read and understand all instructions in the user guide.
- Observe all warnings and instructions marked on the product.
- Use only a grounded electrical outlet when connecting the product to a power source. If you do not know whether the outlet is grounded, check with a qualified electrician.
- Do not touch the contacts on any of the sockets on the product. Replace damaged cords immediately.
- Unplug this product from wall outlets before cleaning.
- Do not install or use this product near water or when you are wet.
- Install the product securely on a stable surface.
- Install the product in a protected location where no one can step on or trip over the power cord.

## Printer views

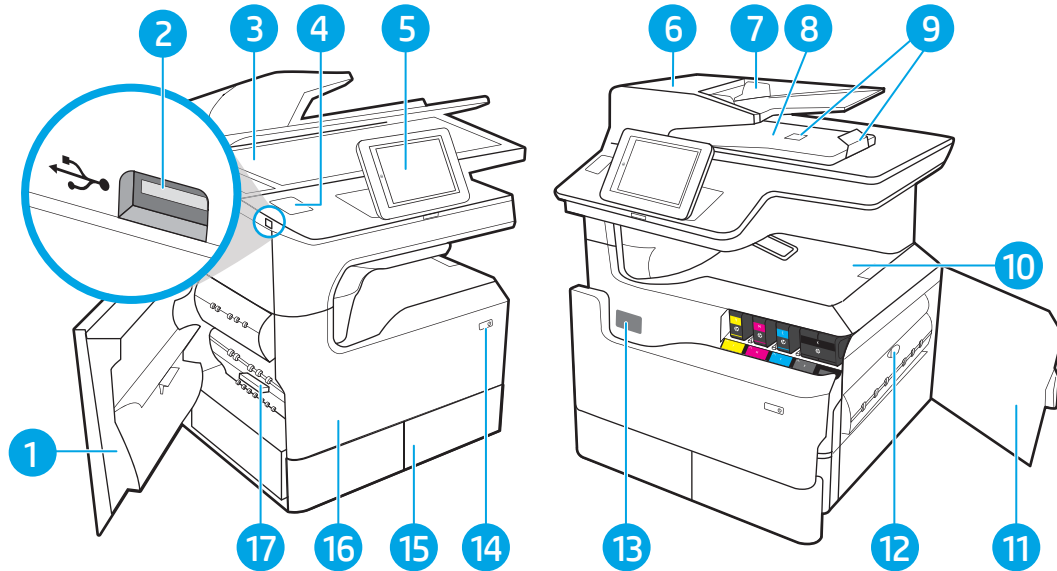
Identify certain parts of the printer and the control panel.

## Printer front view

Locate features on the front of the printer.

### Printer front view—P77440dn models

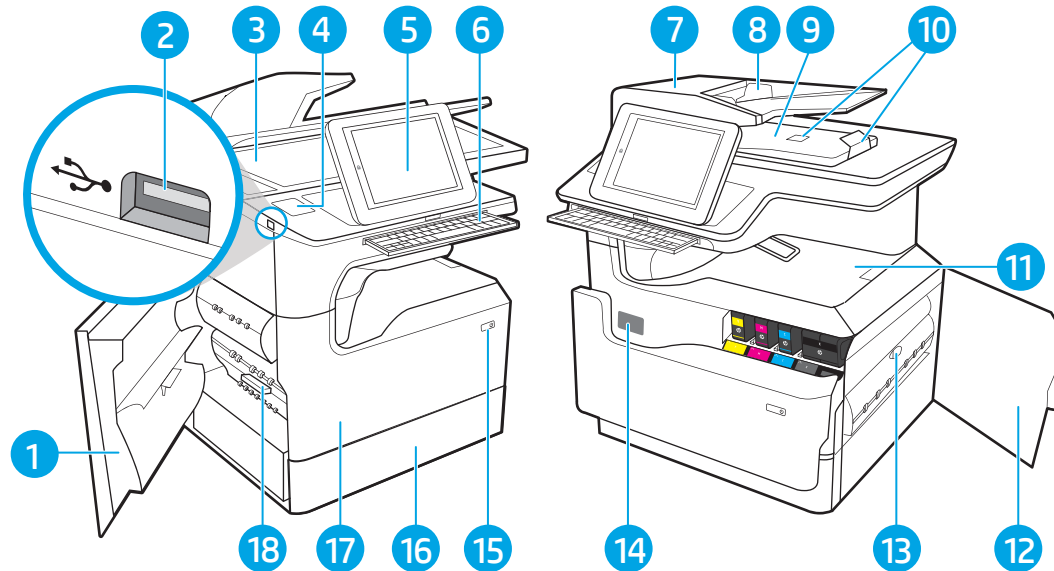
Locate features on the front of the indicated printers.



Number	Description
1	Left door
2	Easy-access USB printing port
3	Scanner assembly
4	Hardware integration pocket (for connecting accessories and third-party devices)
5	Control panel with color touchscreen display (tilts up for easier viewing)
6	Document-feeder cover (access for clearing jams)
7	Document-feeder input tray
8	Document-feeder output bin and output bin stop
9	Document-feeder output extensions
10	Output bin and output bin stop
11	Right door (access for clearing jams)
12	Duplexer
13	Serial number and product number label
14	On/Off button
15	Tandem Tray 2
16	Front door (access to the cartridges)
17	Service fluid container

## Printer front view—E77650dn, E77650z, E77660dn, E77660z, P77940dn, P77950dn, P77960dn models

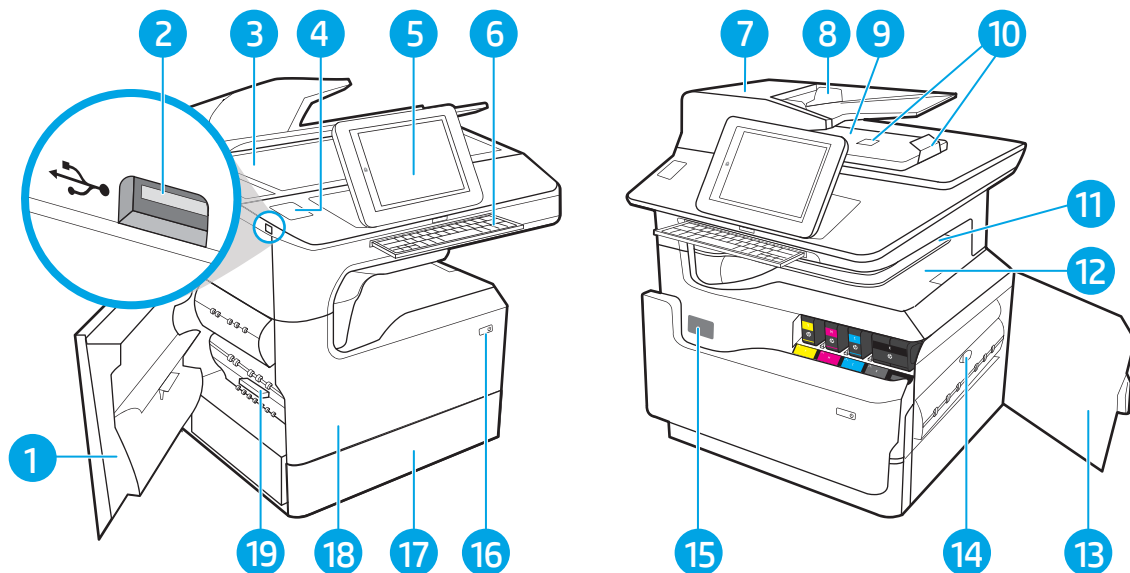
Locate features on the front of the indicated printers.



Number	Description
1	Left door
2	Easy-access USB printing port
3	Scanner assembly
4	Hardware integration pocket (for connecting accessories and third-party devices)
5	Control panel with color touchscreen display (tilts up for easier viewing)
6	Keyboard (z models only. Push the keyboard in until it clicks, and then pull the keyboard out to use it.)
	<b>CAUTION:</b> Close the keyboard when it is not in use.
7	Document-feeder cover (access for clearing jams)
8	Document-feeder input tray
9	Document-feeder output bin and output bin stop
10	Document-feeder output extensions
11	Output bin and output bin stop
12	Right door (access for clearing jams)
13	Duplexer
14	Serial number and product number label
15	On/Off button
16	Tray 2
17	Front door (access to the cartridges)
18	Service fluid container

## Printer front view—E77650dns, E77650zs, E77660dns, E77660zs, P77940dns, P77950dns, P77960dns models

Locate features on the front of the indicated printers.

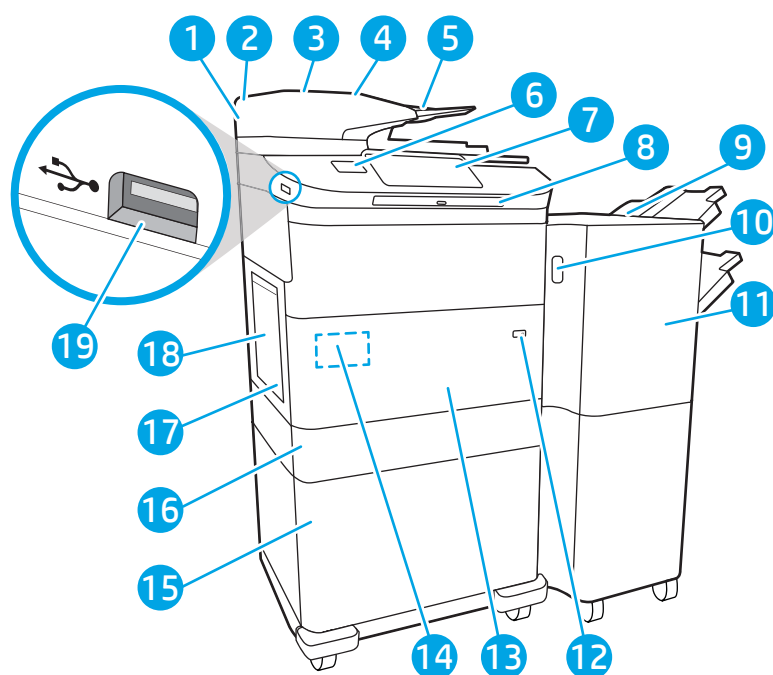


Number	Description
1	Left door
2	Easy-access USB printing port
3	Scanner assembly
4	Hardware integration pocket (for connecting accessories and third-party devices)
5	Control panel with color touchscreen display (tilts up for easier viewing)
6	Keyboard (zs models only. Push the keyboard in until it clicks, and then pull the keyboard out to use it.)
	<b>CAUTION:</b> Close the keyboard when it is not in use.
7	Document-feeder cover (access for clearing jams)
8	Document-feeder input tray
9	Document-feeder output bin and output bin stop
10	Document-feeder output extensions
11	Inner finisher
12	Output bin and output bin stop
13	Right door (access for clearing jams)
14	Duplexer
15	Serial number and product number label
16	On/Off button
17	Tray 2

Number	Description
18	Front door (access to the cartridges)
19	Service fluid container

## Printer front view—P77940dn+, E77650z+, E77660z+ models

Locate features on the front of the indicated printers.



Number	Description
1	Scanner assembly
2	Document-feeder cover (access for clearing jams)
3	Document-feeder input tray
4	Document-feeder output bin and output bin stop
5	Document-feeder output extensions
6	Hardware integration pocket (for connecting accessories and third-party devices)
7	Control panel with color touchscreen display (tilts up for easier viewing)
8	Keyboard. Push the keyboard in until it clicks, and then pull the keyboard out to use it. <b>CAUTION:</b> Close the keyboard when it is not in use.
9	Floor-standing finisher
10	Floor-standing finisher release latch
11	Floor-standing finisher front door
12	On/Off button



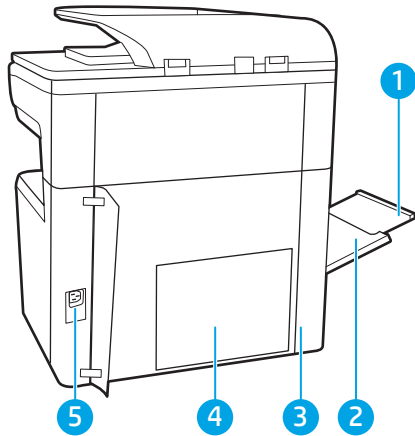
Number	Description
13	Front door (access to the cartridges)
14	Serial number and product number label
15	One of the following: 1 x 550 paper tray with stand, 3 x 550 paper trays, or 4,000-page high-capacity input (HCI) trays
16	Tray 2
17	Service fluid container
18	Left door
19	Easy-access USB printing port

## Printer back view and interface ports

Locate features on the back of the printer.

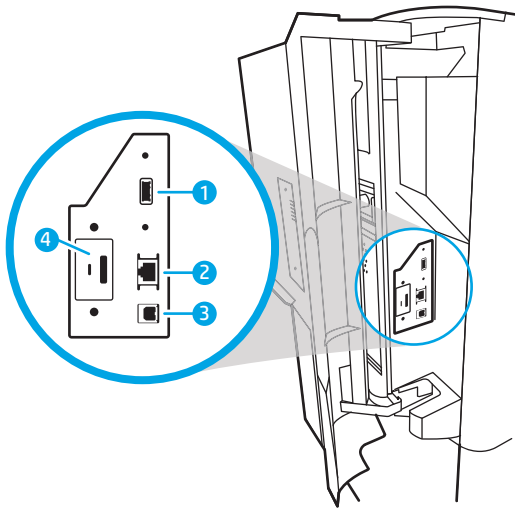
### Printer back view and interface ports—P77440dn, E77650dn, E77650z, E77660dn, E77660z, P77940dn, P77950dn, P77960dn models

Locate features on the back of the printer.



Number	Description
1	Tray 1 extension
2	Tray 1 (multipurpose tray)
3	Access door to interface ports and cable lock slot
4	Formatter plate (contains the interface ports)
5	Power connection

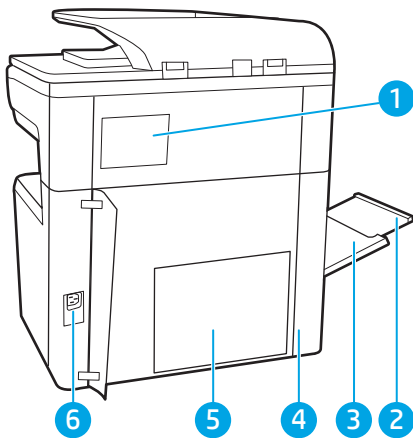
The printer includes the following interface ports.



Number	Description
1	Host USB port for connecting external USB devices
	<b>NOTE:</b> For easy-access USB printing, use the USB port near the control panel.
2	Local area network (LAN) Ethernet (RJ-45) network port
3	Hi-Speed USB 2.0 printing port
4	Cable lock slot

### Printer back view and interface ports—E77650dns, E77650zs, E77660dns, E77660zs, P77940dns, P77950dns, P77960dns models

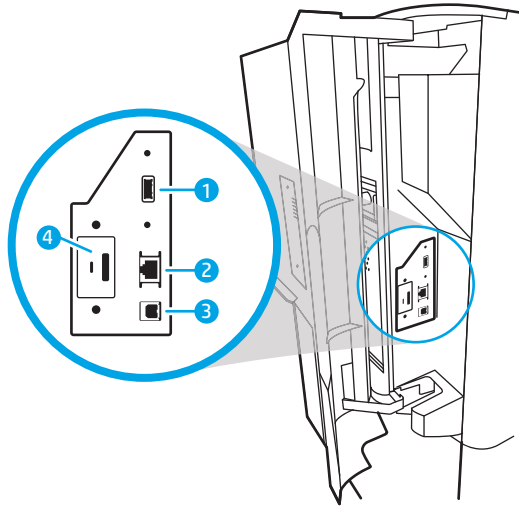
Locate features on the back of the printer.



Number	Description
1	Stapler cover
2	Tray 1 extension
3	Tray 1 (multipurpose tray)
4	Access door to interface ports and cable lock slot

Number	Description
5	Formatter plate (contains the interface ports)
6	Power connection

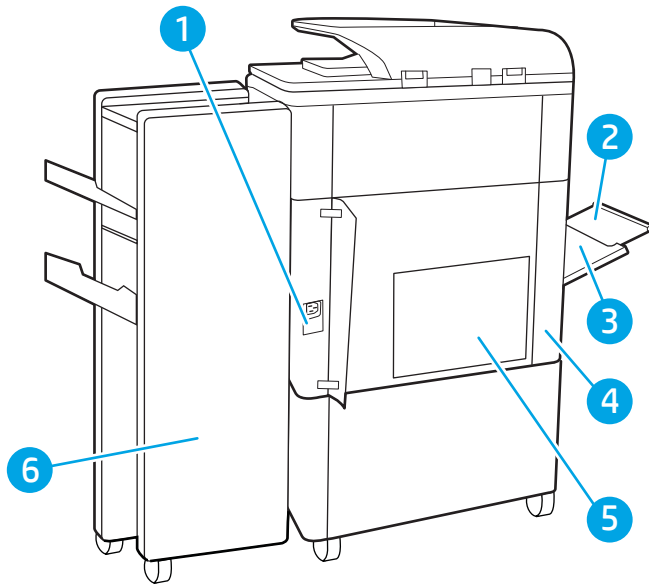
The printer includes the following interface ports.



Number	Description
1	Host USB port for connecting external USB devices <b>NOTE:</b> For easy-access USB printing, use the USB port near the control panel.
2	Local area network (LAN) Ethernet (RJ-45) network port
3	Hi-Speed USB 2.0 printing port
4	Cable lock slot

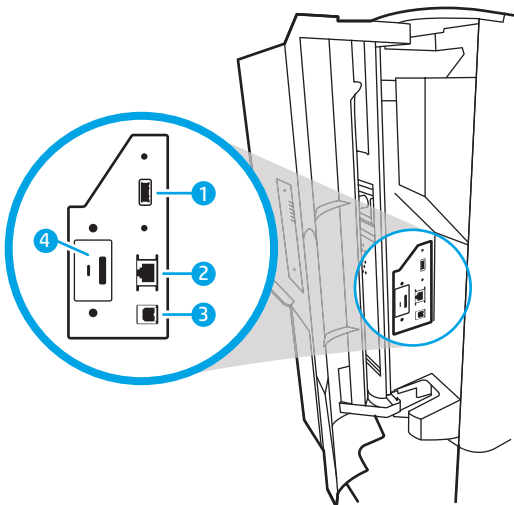
## Printer back view and interface ports—P77940dn+, E77650z+, E77660z+ models

Locate features on the back of the printer.



Number	Description
1	Power connection
2	Tray 1 (multipurpose tray)
3	Tray 1 extension
4	Access door to interface ports and cable lock slot
5	Formatter plate (contains the interface ports)
6	Floor-standing finisher rear door

The printer includes the following interface ports.



Number	Description
1	Host USB port for connecting external USB devices

**NOTE:** For easy-access USB printing, use the USB port near the control panel.

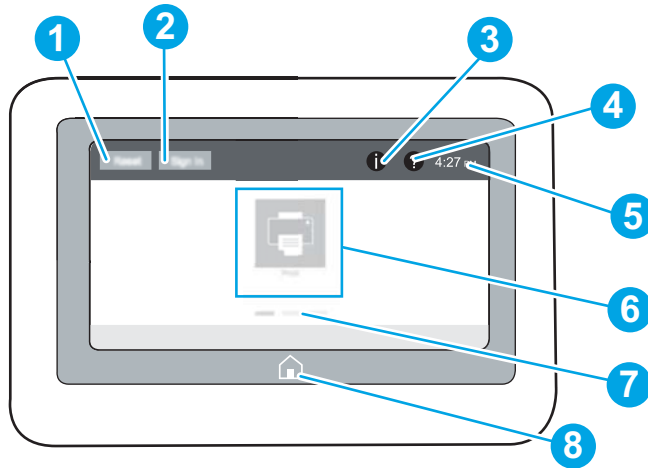
Number	Description
2	Local area network (LAN) Ethernet (RJ-45) network port
3	Hi-Speed USB 2.0 printing port
4	Cable lock slot



## Control-panel view

The Home screen provides access to the printer features and indicates the current status of the printer. Return to the Home screen at any time by selecting the Home button.

 **NOTE:** The features that appear on the Home screen can vary, depending on the printer configuration.

Figure 1-1 Control panel—P77440dn models



Number	Item	Description
1	Reset button	Select the <a href="#">Reset</a> button to clear changes, release the printer from a paused state, display hidden errors, and restore the default settings (including the language and keyboard layout).
2	Sign In or Sign Out button	Select the <a href="#">Sign In</a> button to open the Sign In screen.  Select the <a href="#">Sign Out</a> button to sign out of the printer. The printer restores all options to the default settings.  <b>NOTE:</b> This button displays only if the administrator has configured the printer to require permission for access to features.
3	Information  button	Select the Information  button to access a screen that provides access to several types of printer information. Select the buttons at the bottom of the screen for the following information: <ul style="list-style-type: none"> <li><a href="#">Display Language</a>: Change the language setting for the current user session.</li> <li><a href="#">Sleep Mode</a>: Place the printer into sleep mode.</li> <li><a href="#">Wi-Fi Direct</a>: View information for how to connect directly to the printer using a phone, tablet, or other device with Wi-Fi.</li> <li><a href="#">Wireless</a>: View or change wireless connection settings (some models require an optional wireless accessory).</li> <li><a href="#">Ethernet</a>: View or change Ethernet connection settings.</li> <li><a href="#">HP Web Services</a>: View information to connect and print to the printer using HP Web Services (ePrint).</li> </ul>





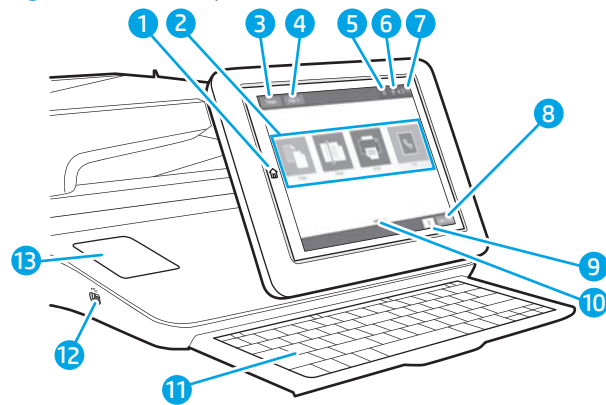



Number	Item	Description
4	Help  button	Select the Help  button to open the embedded help system.  The system provides a list of help topics or information about a topic when using the Home screen, an app, an option, or a feature.
5	Current time	Displays the current time.
6	Applications area	Select any of the icons to open the application. Swipe the screen sideways to access more applications.  <b>NOTE:</b> The available applications vary by printer. The administrator can configure which applications appear and the order in which they appear.
7	Home-screen page indicator	Indicates the number of pages on the Home screen or in an application. The current page is highlighted. Swipe the screen sideways to scroll between pages.
8	Home  button	Select the Home  button to return to the Home screen.

Figure 1-2 Control panel—P77940, P77950, P77960, E77650, E77660 models



Number	Item	Description
1	Home  button	Select the Home button to return to the Home screen.
2	Applications area	Select any of the icons to open the application. Swipe the screen sideways to access more applications.  <b>NOTE:</b> The available applications vary by printer. The administrator can configure which applications appear and the order in which they appear.
3	Reset button	Select the <a href="#">Reset</a> button to clear changes, release the printer from a paused state, reset the copy count field, display hidden errors, and restore the default settings (including the language and keyboard layout).
4	<a href="#">Sign In</a> or <a href="#">Sign Out</a> button	Select the <a href="#">Sign In</a> button to access secured features.  Select the <a href="#">Sign Out</a> button to sign out of the printer. The printer restores all options to the default settings.  <b>NOTE:</b> This button displays only if the administrator has configured the printer to require permission for access to features.

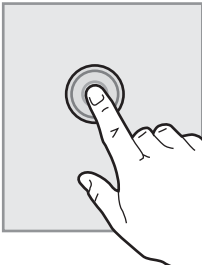
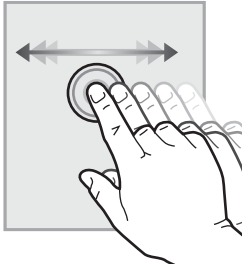
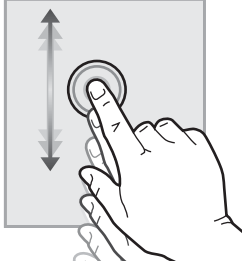


Number	Item	Description
5	Information  button	<p>Select the information button to access a screen that provides access to several types of printer information. Select the buttons at the bottom of the screen for the following information:</p> <ul style="list-style-type: none"> <li>• <b>Display Language:</b> Change the language setting for the current user session.</li> <li>• <b>Sleep Mode:</b> Place the printer into sleep mode.</li> <li>• <b>Wireless:</b> View or change wireless connection settings (for the zs and z+ models and for the other models only when an optional wireless accessory is installed).</li> <li>• <b>Ethernet:</b> View or change Ethernet connection settings.</li> <li>• <b>HP Web Services:</b> View information to connect and print to the printer using HP Web Services (ePrint).</li> </ul>
6	Help  button	Select the Help button to open the embedded help system.
7	Current time	Displays the current time.
8	<b>Copy</b> button	Select the <b>Copy</b> button to start a copy job.
9	Copy count	The copy count indicates the number of copies that the printer is set to make.
10	Home-screen page indicator	Indicates the number of pages on the Home screen or in an application. The current page is highlighted. Swipe the screen sideways to scroll between pages.
11	Keyboard (785zs, 785z+ models only)	<p>The keys are mapped to a language in the same way the virtual keyboard on the printer touchscreen is mapped. Whenever the keyboard layout for the virtual keyboard changes, the keys on the physical keyboard are remapped to match the new settings.</p> <p><b>NOTE:</b> In some locations, the printer comes with adhesive keyboard overlays to customize the keys for different languages.</p>
12	Easy-access USB port	<p>Insert a USB flash drive for printing or scanning without a computer or to update the printer firmware.</p> <p><b>NOTE:</b> An administrator must enable this port before using for print or scan features. A firmware upgrade does not require that the port be enabled.</p>
13	Hardware integration pocket (HIP)	For connecting accessory and third-party devices.

## How to use the touchscreen control panel

Perform the following actions to use the printer touchscreen control panel.

**Table 1-1** Touchscreen control panel actions

Action	Description	Example
<p data-bbox="245 264 544 296">Touch</p> 	<p data-bbox="544 264 1007 369">Touch an item on the screen to select that item or open that menu. Also, when scrolling through menus, briefly touch the screen to stop the scrolling.</p>	<p data-bbox="1007 264 1442 296">Touch the <a href="#">Settings</a> icon to open the <a href="#">Settings</a> app.</p>
<p data-bbox="245 632 544 663">Swipe</p> 	<p data-bbox="544 632 1007 684">Touch the screen and then move your finger horizontally to scroll the screen sideways.</p>	<p data-bbox="1007 632 1442 663">Swipe until the <a href="#">Settings</a> app displays.</p>
<p data-bbox="245 999 544 1031">Scroll</p> 	<p data-bbox="544 999 1007 1104">Touch the screen and then move your finger vertically to scroll the screen up and down. When scrolling through menus, briefly touch the screen to stop the scrolling.</p>	<p data-bbox="1007 999 1442 1031">Scroll through the <a href="#">Settings</a> app.</p>

# Printer specifications

Determine the specifications for your printer model.

## Technical specifications

Review the printer technical specifications.

### Product numbers for each P77440 model

- P77440dn—Y3Z60A

**Table 1-2 Paper handling specifications—P77440dn**

Paper handling features	P77440dn
Tray 1 (100-sheet capacity)	Included
Tray 2 and 3 (tandem): 2x550-sheet capacity	Included
550-sheet paper tray	Optional
<b>NOTE:</b> The printer supports one optional input accessory.	
550-sheet paper tray and stand	Optional
3x550-sheet paper tray	Optional
4,000-sheet high-capacity input (HCI) tray	Optional
Automatic duplex printing	Included

**Table 1-3 Connectivity specifications—P77440dn**

Connectivity features	P77440dn
10/100/1000 Ethernet LAN connection with IPv4 and IPv6	Included
Hi-Speed USB 2.0	Included
Easy-access USB port for printing without a computer and upgrading the firmware	Included

**Table 1-4 Print specifications—P77440dn**

Print features	P77440dn
Prints 40 ppm on letter and A4 size paper in Professional mode.	Included
Prints 60 ppm on letter and A4 size paper in General Office mode.	Included
Easy-access USB printing (no computer required)	Included

**Table 1-5 Memory specifications—P77440dn**

Memory features	P77440dn
2.25 GB memory, expandable to 3.25 GB by adding DIMM memory module	Included
HP 16 GB eMMC module	Included

**Table 1-6 Other specifications—P77440dn**

Other features	P77440dn
Security: HP Trusted Platform Module for encrypting all data that pass through the printer	Included
Color touchscreen control panel (4.3-in)	Included

**Product numbers for each E77650 model**

- E77650dn—J7Z13A
- E77650dns—Z5G79A
- E77650z—J7Z08A
- E77650zs—J7Z14A
- E77650z+—Z5G76A

**Table 1-7 Paper handling specifications—E77650 models**

Paper handling features	E77650dn	E77650dns	E77650z	E77650zs	E77650z+
Tray 1 (100-sheet capacity)	Included	Included	Included	Included	Included
Tray 2 (550-sheet capacity)	Included	Included	Included	Included	Included
Tray 2 and 3 (tandem): 2x550-sheet capacity	Not supported	Not supported	Not supported	Not supported	Not supported
550-sheet paper tray	Optional	Optional	Optional	Optional	Not supported
<b>NOTE:</b> The printer supports one optional input accessory.					
550-sheet paper tray and stand	Optional	Optional	Optional	Optional	Required
3x550-sheet paper tray	Optional	Optional	Optional	Optional	Required
4,000-sheet high-capacity input feeder (HCI)	Optional	Optional	Optional	Optional	Required
300-sheet inner finisher with stapler	Not supported	Included	Not supported	Included	Not supported
Floor standing finisher	Not supported	Not supported	Not supported	Not supported	Included
Automatic duplex printing	Included	Included	Included	Included	Included

**Table 1-8 Connectivity specifications—E77650 models**

Connectivity features	E77650dn	E77650dns	E77650z	E77650zs	E77650z+
10/100/1000 Ethernet LAN connection with IPv4 and IPv6	Included	Included	Included	Included	Included
Hi-Speed USB 2.0	Included	Included	Included	Included	Included
Easy-access USB port for printing and scanning without a computer and upgrading the firmware	Included	Included	Included	Included	Included

**Table 1-8 Connectivity specifications—E77650 models (continued)**

Connectivity features	E77650dn	E77650dns	E77650z	E77650zs	E77650z+
Hardware integration pocket (HIP) for connecting accessories and third-party devices	Included	Included	Included	Included	Included
HP Internal USB ports	Optional	Optional	Optional	Optional	Optional
HP Jetdirect 3000w NFC/Wireless Accessory for printing from mobile devices	Optional	Optional	Optional	Optional	Optional
HP Jetdirect 2900nw Print Server Accessory for wireless connectivity	Optional	Optional	Optional	Optional	Optional
HP Foreign Interface Harness (FIH)	Optional	Optional	Optional	Optional	Optional

**Table 1-9 Memory specifications—E77650 models**

Memory features	E77650dn	E77650dns	E77650z	E77650zs	E77650z+
320 GB HP High-Performance Secure Hard Disk	Included	Included	Included	Included	Included
Base memory: 3.5 GB, expandable to 4.5 GB by adding DIMM memory module	Included	Included	Not supported	Not supported	Not supported
Base memory: 5.6 GB, expandable to 6.6 GB by adding DIMM memory module	Not supported	Not supported	Included	Included	Included
HP Secure High Performance Hard Disk Drive (FIPS)	Optional	Optional	Optional	Optional	Optional

**Table 1-10 Print specifications—E77650 models**

Print features	E77650dn	E77650dns	E77650z	E77650zs	E77650z+
Prints 50 pages per minute (ppm) on A4 and letter-size paper in Professional mode.	Included	Included	Included	Included	Included
Prints 70 ppm on A4 and letter-size paper in General Office mode.					
Easy-access USB printing (no computer required)	Included	Included	Included	Included	Included
Store jobs in the printer memory to print later or print privately	Included	Included	Included	Included	Included

**Table 1-11 Copy and scan specifications—E77650 models**

Copy and scan features	E77650dn	E77650dns	E77650z	E77650zs	E77650z+
Copies at speeds up to 50 ppm on A4 and letter-size paper.	Included	Included	Included	Included	Included

**Table 1-11 Copy and scan specifications—E77650 models (continued)**

Copy and scan features	E77650dn	E77650dns	E77650z	E77650zs	E77650z+
200-page document feeder with dual-head scanning for single-pass duplex copying and scanning	Included	Included	Included	Included	Included
HP EveryPage Technologies including ultrasonic multi-feed detection	Not supported	Not supported	Included	Included	Included
Embedded optical character recognition (OCR) provides the ability to convert printed pages into text that can be edited or searched using a computer.	Not supported	Not supported	Included	Included	Included
SMART Label feature provides paper-edge detection for automatic page cropping	Not supported	Not supported	Included	Included	Included
Automatic page orientation for pages that have at least 100 characters of text.	Not supported	Not supported	Included	Included	Included
Automatic tone adjustment sets contrast, brightness, and background removal for each page.	Not supported	Not supported	Included	Included	Included

**Table 1-12 Digital Send specifications—E77650 models**

Digital Send features	E77650dn	E77650dns	E77650z	E77650zs	E77650z+
<a href="#">Scan to E-mail</a> , <a href="#">Scan to USB Drive</a> , and <a href="#">Scan to Network Folder</a>	Included	Included	Included	Included	Included
Scan to SharePoint®	Included	Included	Included	Included	Included

**Table 1-13 Other specifications—E77650 models**

Other features	E77650dn	E77650dns	E77650z	E77650zs	E77650z+
Security: HP Trusted Platform Module for encrypting all data that passes through the printer	Included	Included	Included	Included	Included
Color touchscreen control panel (8-in)	Included	Included	Included	Included	Included
Retractable keyboard	Not supported	Not supported	Included	Included	Included
Fax	Optional	Optional	Optional	Optional	Optional

#### Product numbers for each E77660 model

- E77660dn—Z5G77A
- E77660dns—2LF96A
- E77660z—J7Z03A

- E77660zs—J7Z07A
- E77660z+—Z5G78A

**Table 1-14 Paper handling specifications—E77660 models**

Paper handling features	E77660dn	E77660dns	E77660z	E77660zs	E77660z+
Tray 1 (100-sheet capacity)	Included	Included	Included	Included	Included
Tray 2 (550-sheet capacity)	Included	Included	Included	Included	Included
Tray 2 and 3 (tandem): 2x550-sheet capacity	Not supported	Not supported	Not supported	Not supported	Not supported
550-sheet paper tray	Optional	Optional	Optional	Optional	Not supported
<b>NOTE:</b> The printer supports one optional input accessory.					
550-sheet paper tray and stand	Optional	Optional	Optional	Optional	Required
3x550-sheet paper tray	Optional	Optional	Optional	Optional	Required
4,000-sheet high-capacity input feeder (HCI)	Optional	Optional	Optional	Optional	Required
300-sheet inner finisher with stapler	Not supported	Included	Not supported	Included	Not supported
Floor standing finisher	Not supported	Not supported	Not supported	Not supported	Included
Automatic duplex printing	Included	Included	Included	Included	Included

**Table 1-15 Connectivity specifications—E77660 models**

Connectivity features	E77660dn	E77660dns	E77660z	E77660zs	E77660z+
10/100/1000 Ethernet LAN connection with IPv4 and IPv6	Included	Included	Included	Included	Included
Hi-Speed USB 2.0	Included	Included	Included	Included	Included
Easy-access USB port for printing and scanning without a computer and upgrading the firmware	Included	Included	Included	Included	Included
Hardware integration pocket (HIP) for connecting accessories and third-party devices	Included	Included	Included	Included	Included
HP Internal USB ports	Optional	Optional	Optional	Optional	Optional
HP Jetdirect 3000w NFC/Wireless Accessory for printing from mobile devices	Optional	Optional	Optional	Optional	Optional
HP Jetdirect 2900nw Print Server Accessory for wireless connectivity	Optional	Optional	Optional	Optional	Optional
HP Foreign Interface Harness (FIH)	Optional	Optional	Optional	Optional	Optional

**Table 1-16 Memory specifications—E77660 models**

Memory features	E77660dn	E77660dns	E77660z	E77660zs	E77660z+
320 GB HP High-Performance Secure Hard Disk	Included	Included	Included	Included	Included
Base memory: 3.5 GB, expandable to 4.5 GB by adding DIMM memory module	Included	Included	Not supported	Not supported	Not supported
Base memory: 5.6 GB, expandable to 6.6 GB by adding DIMM memory module	Not supported	Not supported	Included	Included	Included
HP Secure High Performance Hard Disk Drive (FIPS)	Optional	Optional	Optional	Optional	Optional

**Table 1-17 Print specifications—E77660 models**

Print features	E77660dn	E77660dns	E77660z	E77660zs	E77660z+
Prints 60 ppm on A4 and letter-size paper in Professional mode.	Included	Included	Included	Included	Included
Prints 80 ppm on A4 and letter-size paper in General Office mode.					
Easy-access USB printing (no computer required)	Included	Included	Included	Included	Included
Store jobs in the printer memory to print later or print privately	Included	Included	Included	Included	Included

**Table 1-18 Copy and scan specifications—E77660 models**

Copy and scan features	E77660dn	E77660dns	E77660z	E77660zs	E77660z+
Copies at speeds up to 60 ppm on A4 and letter-size paper.	Included	Included	Included	Included	Included
200-page document feeder with dual-head scanning for single-pass duplex copying and scanning	Included	Included	Included	Included	Included
HP EveryPage Technologies including ultrasonic multi-feed detection	Not supported	Not supported	Included	Included	Included
Embedded optical character recognition (OCR) provides the ability to convert printed pages into text that can be edited or searched using a computer.	Not supported	Not supported	Included	Included	Included
SMART Label feature provides paper-edge detection for automatic page cropping	Not supported	Not supported	Included	Included	Included
Automatic page orientation for pages that have at least 100 characters of text.	Not supported	Not supported	Included	Included	Included
Automatic tone adjustment sets contrast, brightness, and background removal for each page.	Not supported	Not supported	Included	Included	Included



**Table 1-19 Digital Send specifications—E77660 models**

Digital Send features	E77660dn	E77660dns	E77660z	E77660zs	E77660z+
Scan to E-mail, Scan to USB Drive, and Scan to Network Folder	Included	Included	Included	Included	Included
Scan to SharePoint®	Included	Included	Included	Included	Included

**Table 1-20 Other specifications—E77660 models**

Other features	E77660dn	E77660dns	E77660z	E77660zs	E77660z+
Security: HP Trusted Platform Module for encrypting all data that passes through the printer	Included	Included	Included	Included	Included
Color touchscreen control panel (8-in)	Included	Included	Included	Included	Included
Retractable keyboard	Not supported	Not supported	Included	Included	Included
Fax	Optional	Optional	Optional	Optional	Optional

**Product numbers for each P77940 and P77950 model**

- P77940dn—Y3Z61A
- P77940dns—Y3Z64A
- P77940dn+—Y3Z65A
- P77950dn—Y3Z62A
- P77950dns—Y3Z66A
- P77950dn+—Y3Z72A

**Table 1-21 Paper handling specifications—P77940 and P77950 models**

Paper handling features	P77940dn	P77940dns	P77940dn+	P77950dn	P77950dns	P77950dn+
Tray 1 (100-sheet capacity)	Included	Included	Included	Included	Included	Included
Tray 2 (550-sheet capacity)	Included	Included	Included	Included	Included	Included
550-sheet paper tray	Optional	Optional	Not supported	Optional	Optional	Not supported
<b>NOTE:</b> The printer supports one optional input accessory.						
550-sheet paper tray and stand	Optional	Optional	Required	Optional	Optional	Required
3x550-sheet paper tray	Optional	Optional	Required	Optional	Optional	Required
4,000-sheet high-capacity input feeder (HCI)	Optional	Optional	Required	Optional	Optional	Required
300-sheet inner finisher with stapler	Not supported	Included	Not supported	Not supported	Included	Not supported

**Table 1-21 Paper handling specifications—P77940 and P77950 models (continued)**

Paper handling features	P77940dn	P77940dns	P77940dn+	P77950dn	P77950dns	P77950dn+
Floor standing finisher	Not supported	Not supported	Included	Not supported	Not supported	Included
Automatic duplex printing	Included	Included	Included	Included	Included	Included

**Table 1-22 Connectivity specifications—P77940 and P77950 models**

Connectivity features	P77940dn	P77940dns	P77940dn+	P77950dn	P77950dns	P77950dn+
10/100/1000 Ethernet LAN connection with IPv4 and IPv6	Included	Included	Included	Included	Included	Included
Hi-Speed USB 2.0	Included	Included	Included	Included	Included	Included
Easy-access USB port for printing and scanning without a computer and upgrading the firmware	Included	Included	Included	Included	Included	Included
Hardware integration pocket (HIP) for connecting accessories and third-party devices	Included	Included	Included	Included	Included	Included
HP Internal USB ports	Optional	Optional	Optional	Optional	Optional	Optional
HP Jetdirect 3000w NFC/Wireless Accessory for printing from mobile devices	Optional	Optional	Optional	Optional	Optional	Optional
HP Jetdirect 2900nw Print Server Accessory for wireless connectivity	Optional	Optional	Optional	Optional	Optional	Optional
HP Foreign Interface Harness (FIH)	Optional	Optional	Optional	Optional	Optional	Optional

**Table 1-23 Memory specifications—P77940 and P77950 models**

Memory features	P77940dn	P77940dns	P77940dn+	P77950dn	P77950dns	P77950dn+
Base memory: 2.25 GB, expandable to 3.25 GB by adding DIMM memory module	Included	Included	Included	Included	Included	Included
HP 16 GB eMMC module	Included	Included	Included	Included	Included	Included
320 GB HP High- Performance Secure Hard Disk	Not supported	Not supported	Not supported	Not supported	Not supported	Not supported
HP Secure High Performance Hard Disk Drive (FIPS)	Not supported	Not supported	Not supported	Not supported	Not supported	Not supported

**Table 1-24 Print specifications—P77940 and P77950 models**

Print features	P77940dn	P77940dns	P77940dn+	P77950dn	P77950dns	P77950dn+
Prints 40 pages per minute (ppm) on A4 and letter-size paper in Professional mode.	Included	Included	Included	Not supported	Not supported	Not supported
Prints 60 ppm on A4 and letter-size paper in General Office mode.						
Prints 50 ppm on A4 and letter-size paper in Professional mode.	Not supported	Not supported	Not supported	Included	Included	Included
Prints 70 ppm on A4 and letter-size paper in General Office mode.						
Easy-access USB printing (no computer required)	Included	Included	Included	Included	Included	Included
Store jobs in the printer memory to print later or print privately	Included	Included	Included	Included	Included	Included

**Table 1-25 Copy and scan specifications—P77940 and P77950 models**

Copy and scan features	P77940dn	P77940dns	P77940dn+	P77950dn	P77950dns	P77950dn+
Copies at speeds up to 40 ppm on A4 and letter-size paper.	Included	Included	Included	Not supported	Not supported	Not supported
Copies at speeds up to 50 ppm on A4 and letter-size paper.	Not supported	Not supported	Not supported	Included	Included	Included
100-page document feeder with dualhead scanning for single-pass duplex copying and scanning	Included	Included	Included	Included	Included	Included

**Table 1-26 Digital Send specifications—P77940 and P77950 models**

Digital Send features	P77940dn	P77940dns	P77940dn+	P77950dn	P77950dns	P77950dn+
Scan to E-mail, Scan to USB Drive, and Scan to Network Folder	Included	Included	Included	Included	Included	Included
Scan to SharePoint®	Included	Included	Included	Included	Included	Included

**Table 1-27 Other specifications—P77940 and P77950 models**

Other features	P77940dn	P77940dns	P77940dn+	P77950dn	P77950dns	P77950dn+
Security: HP Trusted Platform Module for encrypting all data that passes through the printer	Included	Included	Included	Included	Included	Included
Color touchscreen control panel (8-in)	Included	Included	Included	Included	Included	Included
Retractable keyboard	Not supported	Not supported	Not supported	Not supported	Not supported	Not supported
Fax	Optional	Optional	Optional	Optional	Optional	Optional

### Product numbers for each P77960 model

- P77960dn—Y3Z63A
- P77960dns—Y3Z68A
- P77960dn+—Y3Z73A

**Table 1-28 Paper handling specifications—P77960 models**

Paper handling features	P77960dn	P77960dns	P77960dn+
Tray 1 (100-sheet capacity)	Included	Included	Included
Tray 2 (550-sheet capacity)	Included	Included	Included
550-sheet paper tray	Optional	Optional	Not supported
<b>NOTE:</b> The printer supports one optional input accessory.			
550-sheet paper tray and stand	Optional	Optional	Required
3x550-sheet paper tray	Optional	Optional	Required
4,000-sheet high-capacity input feeder (HCI)	Optional	Optional	Required
300-sheet inner finisher with stapler	Not supported	Included	Not supported
Floor standing finisher	Not supported	Not supported	Included
Automatic duplex printing	Included	Included	Included

**Table 1-29 Connectivity specifications—P77960 models**

Connectivity features	P77960dn	P77960dns	P77960dn+
10/100/1000 Ethernet LAN connection with IPv4 and IPv6	Included	Included	Included
Hi-Speed USB 2.0	Included	Included	Included
Easy-access USB port for printing and scanning without a computer and upgrading the firmware	Included	Included	Included
Hardware integration pocket (HIP) for connecting accessories and third-party devices	Included	Included	Included
HP Internal USB ports	Optional	Optional	Optional
HP Jetdirect 3000w NFC/Wireless Accessory for printing from mobile devices	Optional	Optional	Optional
HP Jetdirect 2900nw Print Server Accessory for wireless connectivity	Optional	Optional	Optional
HP Foreign Interface Harness (FIH)	Optional	Optional	Optional

**Table 1-30 Memory specifications—P77960 models**

Memory features	P77960dn	P77960dns	P77960dn+
Base memory: 2.25 GB, expandable to 3.25 GB by adding DIMM memory module	Included	Included	Included
HP 16 GB eMMC module	Included	Included	Included
320 GB HP High- Performance Secure Hard Disk	Not supported	Not supported	Not supported
HP Secure High Performance Hard Disk Drive (FIPS)	Not supported	Not supported	Not supported

**Table 1-31 Print specifications—P77960 models**

Print features	P77960dn	P77960dns	P77960dn+
Prints 60 ppm on A4 and letter-size paper in Professional mode.	Included	Included	Included
Prints 80 ppm on A4 and letter-size paper in General Office mode.			
Easy-access USB printing (no computer required)	Included	Included	Included
Store jobs in the printer memory to print later or print privately	Included	Included	Included

**Table 1-32 Copy and scan specifications—P77960 models**

Copy and scan features	P77960dn	P77960dns	P77960dn+
Copies at speeds up to 60 ppm on A4 and letter-size paper.	Included	Included	Included
100-page document feeder with dualhead scanning for single-pass duplex copying and scanning	Included	Included	Included

**Table 1-33 Digital Send specifications—P77960 models**

Digital Send features	P77960dn	P77960dns	P77960dn+
Scan to E-mail, Scan to USB Drive, and Scan to Network Folder	Included	Included	Included
Scan to SharePoint®	Included	Included	Included

**Table 1-34 Other specifications—P77960 models**

Other features	P77960dn	P77960dns	P77960dn+
Security: HP Trusted Platform Module for encrypting all data that passes through the printer	Included	Included	Included
Color touchscreen control panel (8-in)	Included	Included	Included
Retractable keyboard	Not supported	Not supported	Not supported
Fax	Optional	Optional	Optional

## Supported operating systems

Use the following information to ensure printer compatibility with your computer operating system.

**Linux:** For information and print drivers for Linux, go to [www.hp.com/go/linuxprinting](http://www.hp.com/go/linuxprinting).

**UNIX:** For information and print drivers for UNIX®, go to [www.hp.com/go/unixmodelscripts](http://www.hp.com/go/unixmodelscripts).

The following information applies to the printer-specific Windows HP PCL 6 print drivers, HP print drivers for macOS, and to the software installer.

**Windows:** Download HP Easy Start from [123.hp.com](http://123.hp.com) to install the HP print driver. Or, go to the printer-support website for this printer: [www.hp.com/support/pwcolormfpE77650](http://www.hp.com/support/pwcolormfpE77650), or [www.hp.com/support/pwcolormfpE77660](http://www.hp.com/support/pwcolormfpE77660), or [www.hp.com/support/pwcolorP77940mfp](http://www.hp.com/support/pwcolorP77940mfp), or [www.hp.com/support/pwcolorP77950mfp](http://www.hp.com/support/pwcolorP77950mfp), or [www.hp.com/support/pwcolorP77960mfp](http://www.hp.com/support/pwcolorP77960mfp), or [www.hp.com/support/pwcolorP77440mfp](http://www.hp.com/support/pwcolorP77440mfp) to download the print driver or the software installer to install the HP print driver.

**macOS:** Mac computers are supported with this printer. Download HP Easy Start either from [123.hp.com](http://123.hp.com) or from the Printer Support page, and then use HP Easy Start to install the HP print driver.

1. Go to [123.hp.com](http://123.hp.com).
2. Follow the steps provided to download the printer software.


**Table 1-35 Supported operating systems and print drivers**


Operating system	Print driver (for Windows, or the installer on the web for macOS)
Windows 7, 32-bit and 64-bit	The “HP PCL 6” printer-specific print driver is installed for this operating system as part of the software installation.
Windows 8.1, 32-bit and 64-bit	The “HP PCL-6” V4 printer-specific print driver is installed for this operating system as part of the software installation.
Windows 10, 32-bit and 64-bit	The “HP PCL-6” V4 printer-specific print driver is installed for this operating system as part of the software installation.
Windows Server 2008 R2, SP 1, 64-bit	The PCL 6 printer-specific print driver is available for download from the printer-support website. Download the driver, and then use the Microsoft Add Printer tool to install it.
Windows Server 2012, 64-bit	The PCL 6 printer-specific print driver is available for download from the printer-support website. Download the driver, and then use the Microsoft Add Printer tool to install it.
Windows Server 2012 R2, 64-bit	The PCL 6 printer-specific print driver is available for download from the printer-support website. Download the driver, and then use the Microsoft Add Printer tool to install it.

**Table 1-35 Supported operating systems and print drivers (continued)**

Operating system	Print driver (for Windows, or the installer on the web for macOS)
Windows Server 2016, 64-bit	The PCL 6 printer-specific print driver is available for download from the printer-support website. Download the driver, and then use the Microsoft Add Printer tool to install it.
Windows Server 2019, 64-bit	The PCL 6 printer-specific print driver is available for download from the printer-support website. Download the driver, and then use the Microsoft Add Printer tool to install it.
macOS 10.13 High Sierra, macOS 10.14 Mojave	Download HP Easy Start from <a href="http://123.hp.com">123.hp.com</a> , and then use it to install the print driver.

 **NOTE:** Supported operating systems can change.

 **NOTE:** For a current list of supported operating systems and HP's all-inclusive help for the printer, go to [www.hp.com/support/pwcolormfpE77650](http://www.hp.com/support/pwcolormfpE77650), or [www.hp.com/support/pwcolormfpE77660](http://www.hp.com/support/pwcolormfpE77660), or [www.hp.com/support/pwcolorP77940mfp](http://www.hp.com/support/pwcolorP77940mfp), or [www.hp.com/support/pwcolorP77950mfp](http://www.hp.com/support/pwcolorP77950mfp), or [www.hp.com/support/pwcolorP77960mfp](http://www.hp.com/support/pwcolorP77960mfp), or [www.hp.com/support/pwcolorP77440mfp](http://www.hp.com/support/pwcolorP77440mfp).

 **NOTE:** For details on client and server operating systems and for HP UPD driver support for this printer, go to [www.hp.com/go/upd](http://www.hp.com/go/upd). Under **Additional information**, click **Specifications**.

**Table 1-36 Minimum system requirements**


Windows	macOS
<ul style="list-style-type: none"><li>• Internet connection</li><li>• Dedicated USB 1.1 or 2.0 connection or a network connection</li><li>• 2 GB of available hard-disk space</li><li>• 1 GB RAM (32-bit) or 2 GB RAM (64-bit)</li></ul>	<ul style="list-style-type: none"><li>• Internet connection</li><li>• Dedicated USB 1.1 or 2.0 connection or a network connection</li><li>• 1.5 GB of available hard-disk space</li></ul>

 **NOTE:** The Windows software installer installs the HP Smart Device Agent Base service. The file size is less than 100 kb. Its only function is to check for printers connected via USB hourly. No data is collected. If a USB printer is found, it then tries to locate a JetAdvantage Management Connector (JAMC) instance on the network. If a JAMC is found, the HP Smart Device Agent Base is securely upgraded to a full Smart Device Agent from JAMC, which will then allow printed pages to be accounted for in a Managed Print Services (MPS) account. The driver-only web packs downloaded from [www.hp.com](http://www.hp.com) for the printer and installed through the Add Printer wizard do not install this service.

To uninstall the service, open the **Control Panel**, select **Programs** or **Programs and Features**, and then select **Add/Remove Programs** or **Uninstall a Program** to remove the service. The file name is **HPSmartDeviceAgentBase**.

## Printer dimensions

Make sure your printer environment is large enough to accommodate the printer.

 **NOTE:** These values are subject to change. For current information, go to [www.hp.com/support/pwcolormfpE77650](http://www.hp.com/support/pwcolormfpE77650), or [www.hp.com/support/pwcolormfpE77660](http://www.hp.com/support/pwcolormfpE77660), or [www.hp.com/support/pwcolorP77940mfp](http://www.hp.com/support/pwcolorP77940mfp), or [www.hp.com/support/pwcolorP77950mfp](http://www.hp.com/support/pwcolorP77950mfp), or [www.hp.com/support/pwcolorP77960mfp](http://www.hp.com/support/pwcolorP77960mfp), or [www.hp.com/support/pwcolorP77440mfp](http://www.hp.com/support/pwcolorP77440mfp).

**Table 1-37** Dimensions for E75160dn, E77650dn, E77650z, E77660dn, E77660z models

Dimension	Printer fully closed	Printer fully opened
Height	682 mm (26.9 in)	995 mm (39.2 in)
Depth	652 mm (25.7 in)	1027 mm (40.4 in)
Width	604 mm (23.8 in)	1530 mm (60.2 in)
Weight (with cartridges)	66.1 kg (145.7 lb)	66.1 kg (145.7 lb)

**Table 1-38** Dimensions for P77440dn, P77940dn, P77950dn, P77960dn models

Dimension	Printer fully closed	Printer fully opened
Height	673 mm (26.5 in)	946 mm (37.3 in)
Depth	<b>P77940dn, P77950dn, P77960dn:</b> 652 mm (25.7 in) <b>P77440dn:</b> 604 mm (23.8 in)	1027 mm (40.4 in)
Width	604 mm (23.8 in)	1270 mm (50 in)
Weight (with cartridges)	<b>P77940dn, P77950dn, P77960dn:</b> 66.6 kg (146.5 lb) <b>P77440dn:</b> 66.8 kg (146.9 lb)	<b>P77940dn, P77950dn, P77960dn:</b> 66.6 kg (146.5 lb) <b>P77440dn:</b> 66.8 kg (146.9 lb)

**Table 1-39** Dimensions for E77650dns, E77660dns, E77650zs, E77660zs

Dimension	Printer fully closed	Printer fully opened
Height	790 mm (31.1 in)	1100 mm (43.3 in)
Depth	652 mm (25.7 in)	1027 mm (40.4 in)
Width	604 mm (23.8 in)	1530 mm (60.2 in)
Weight (with cartridges)	85.1 kg (187.3 lb)	85.1 kg (187.3 lb)

**Table 1-40** Dimensions for P77940dns, P77950dns, P77960dns

Dimension	Printer fully closed	Printer fully opened
Height	772 mm (30.4 in)	1054 mm (41.5 in)
Depth	652 mm (25.7 in)	1027 mm (40.4 in)
Width	604 mm (23.8 in)	1270 mm (50 in)
Weight (with cartridges)	82.5 kg (181.5 lb)	82.5 kg (181.5 lb)

**Table 1-41** Dimensions for E77650z+, E77660z+ (includes the HCl paper feeder)

Dimension	Printer fully closed	Printer fully opened
Height	1222 mm (48.1 in)	1535 mm (60.4 in)



**Table 1-41** Dimensions for E77650z+, E77660z+ (includes the HCI paper feeder) (continued)

Dimension	Printer fully closed	Printer fully opened
Depth	693 mm (27.3 in)	1175 mm (46.3 in)
Width	1245 mm (49 in)	2495 mm (98.2 in)
Weight (with cartridges)	171 kg (376.3 lb)	171 kg (376.3 lb)

**Table 1-42** Dimensions for P77940dn+, P77950dn+, P77960dn+ (includes the HCI paper feeder)

Dimension	Printer fully closed	Printer fully opened
Height	1204 mm (47.4 in)	1486 mm (58.5 in)
Depth	693 mm (27.3 in)	1175 mm (46.3 in)
Width	1245 mm (49 in)	2495 mm (98.2 in)
Weight (with cartridges)	168.4 kg (370.5 lb)	168.4 kg (370.5 lb)

**Table 1-43** Dimensions for the 1 x 550-sheet paper feeder

Dimension	Accessory fully closed	Accessory fully opened
Height	117 mm (4.6 in)	117 mm (4.6 in)
Depth	520 mm (20.5 in)	685 mm (27 in)
Width	600 mm (23.6 in)	600 mm (23.6 in)
Weight	9.5 kg (21 lb)	9.5 kg (21 lb)

**Table 1-44** Dimensions for the 1 x 550-sheet paper feeder with stand

Dimension	Accessory fully closed	Accessory fully opened
Height	440 mm (17.3 in)	440 mm (17.3 in)
Depth	643 mm (25.3 in)	938 mm (36.9 in)
Width	616 mm (24.3 in)	1066 mm (42 in)
Weight	32 kg (71 lb)	32 kg (71 lb)

**Table 1-45** Dimensions for the 3 x 550-sheet paper feeder with stand

Dimension	Accessory fully closed	Accessory fully opened
Height	440 mm (17.3 in)	440 mm (17.3 in)
Depth	643 mm (25.3 in)	938 mm (36.9 in)
Width	616 mm (24.3 in)	1066 mm (42 in)
Weight	37 kg (82 lb)	37 kg (82 lb)

**Table 1-46** Dimensions for the 4,000-sheet HCl with stand

Dimension	Accessory fully closed	Accessory fully opened
Height	440 mm (17.3 in)	440 mm (17.3 in)
Depth	643 mm (25.3 in)	1046 mm (41.2 in)
Width	616 mm (24.3 in)	1066 mm (42 in)
Weight	43.8 kg (97 lb)	43.8 kg (97 lb)

**Table 1-47** Dimensions for floor-standing finisher

Dimension	Accessory fully closed	Accessory fully opened
Height	1020 mm (40.2 in)	1245 mm (49 in)
Depth	590 mm (23.2 in)	1175 mm (46.3 in)
Width	690 mm (27.2 in)	775 mm (30.5 in)
Weight	40.4 kg (89 lb)	40.4 kg (89 lb)

## Power consumption, electrical specifications, and acoustic emissions

In order to operate properly, the printer must be in an environment that meets certain power specifications.

See [www.hp.com/support/pwcolormfpE77650](http://www.hp.com/support/pwcolormfpE77650), or [www.hp.com/support/pwcolormfpE77660](http://www.hp.com/support/pwcolormfpE77660), or [www.hp.com/support/pwcolorP77940mfp](http://www.hp.com/support/pwcolorP77940mfp), or [www.hp.com/support/pwcolorP77950mfp](http://www.hp.com/support/pwcolorP77950mfp), or [www.hp.com/support/pwcolorP77960mfp](http://www.hp.com/support/pwcolorP77960mfp), or [www.hp.com/support/pwcolorP77440mfp](http://www.hp.com/support/pwcolorP77440mfp) for current information.

**⚠ CAUTION:** Power requirements are based on the country/region where the printer is sold. Do not convert operating voltages. This will damage the printer and void the printer warranty.

## Operating environment range

In order to operate properly, the printer must be in an environment that meets certain specifications.

**Table 1-48** Operating environment range

Environment	Recommended	Allowed
Temperature	17° to 25°C (62.6° to 77°F)	15° to 30°C (59° to 86°F)
Relative humidity	30% to 70% relative humidity (RH)	10% to 80% RH

## Printer hardware setup and software installation

For basic setup instructions, see the Hardware Installation Guide that came with the printer. For additional instructions, go to HP support on the web.

Go to [www.hp.com/support/pwcolormfpE77650](http://www.hp.com/support/pwcolormfpE77650), or [www.hp.com/support/pwcolormfpE77660](http://www.hp.com/support/pwcolormfpE77660), or [www.hp.com/support/pwcolorP77940mfp](http://www.hp.com/support/pwcolorP77940mfp), or [www.hp.com/support/pwcolorP77950mfp](http://www.hp.com/support/pwcolorP77950mfp), or [www.hp.com/support/pwcolorP77960mfp](http://www.hp.com/support/pwcolorP77960mfp), or [www.hp.com/support/pwcolorP77440mfp](http://www.hp.com/support/pwcolorP77440mfp) for HP's all-inclusive help for the printer, which includes the following information:

- Install and configure
- Learn and use
- Solve problems
- Download software and firmware updates
- Join support forums
- Find warranty and regulatory information
- Find instructions about how to use the Microsoft Add Printer tool



---

## 2 Paper trays

Discover how to load and use the paper trays, including how to load special items such as envelopes and labels.

For video assistance, see [www.hp.com/videos/PageWide](http://www.hp.com/videos/PageWide).

The following information is correct at the time of publication. For current information, see [www.hp.com/support/pwcolormfpE77650](http://www.hp.com/support/pwcolormfpE77650), or [www.hp.com/support/pwcolormfpE77660](http://www.hp.com/support/pwcolormfpE77660), or [www.hp.com/support/pwcolorP77940mfp](http://www.hp.com/support/pwcolorP77940mfp), or [www.hp.com/support/pwcolorP77950mfp](http://www.hp.com/support/pwcolorP77950mfp), or [www.hp.com/support/pwcolorP77960mfp](http://www.hp.com/support/pwcolorP77960mfp), or [www.hp.com/support/pwcolorP77440mfp](http://www.hp.com/support/pwcolorP77440mfp).

### For more information:


HP's all-inclusive help for the printer includes the following information:

- Install and configure
- Learn and use
- Solve problems
- Download software and firmware updates
- Join support forums
- Find warranty and regulatory information

### Introduction

Use caution when loading the paper trays.

---

 **CAUTION:** Do not extend more than one paper tray at a time.

Do not use paper tray as a step.

All trays must be closed while moving the printer.

Keep hands out of paper trays or drawers when closing.

---

## Load paper to Tray 1 (multipurpose tray)

The following information describes how to load paper in Tray 1.

**⚠ CAUTION:** Do not extend more than one paper tray at a time. Do not use paper tray as a step. Keep hands out of paper trays when closing. All trays must be closed when moving the printer.

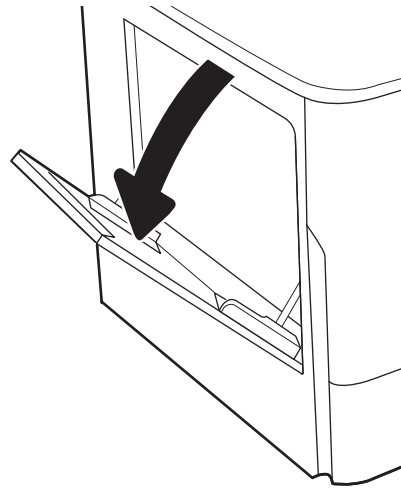
**CAUTION:** To avoid jams, never add or remove paper from Tray 1 during printing.

### Load Tray 1

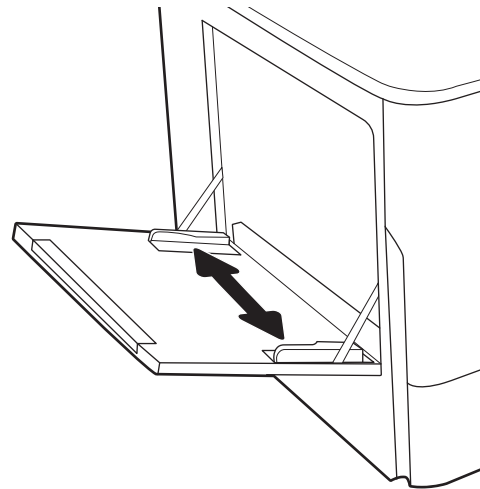
This tray holds up to 100 sheets of 75 g/m<sup>2</sup> (20 lb) paper or 10 envelopes.

1. Open Tray 1.

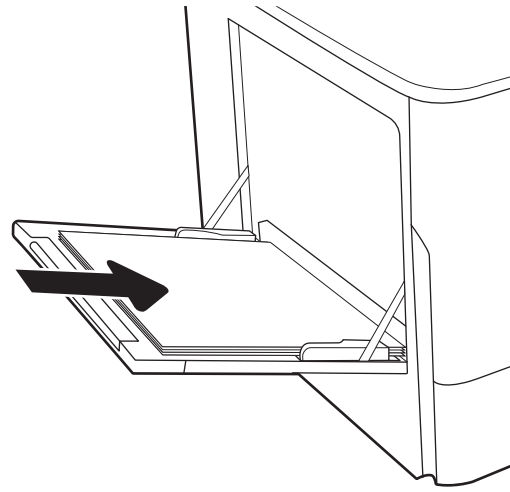
**NOTE:** To print on longer paper, such as legal-size, pull out the Tray 1 extension.



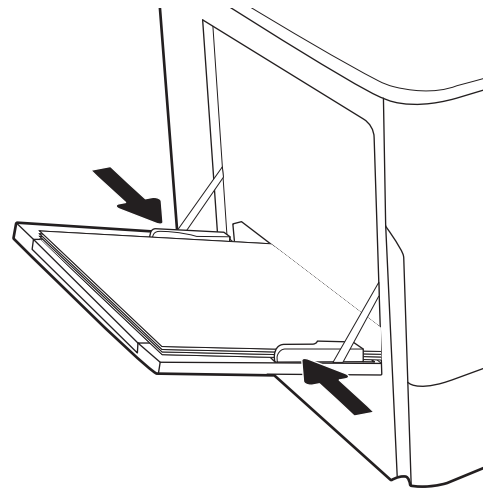
2. Adjust the paper-width guides to the size of the paper being used.



- Load paper in the tray. For information about how to orient the paper, see [Tray 1 paper orientation on page 39](#).



- Adjust the width guides so that they touch the paper stack, but do not bend it.



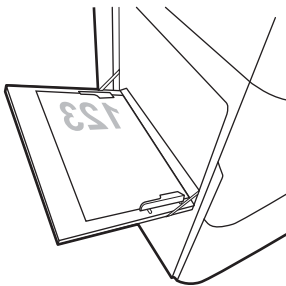
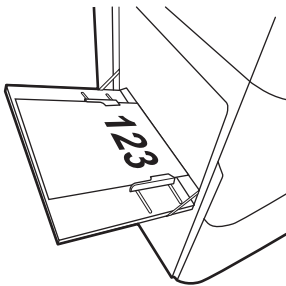
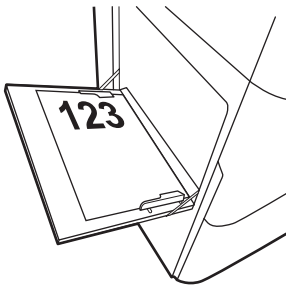
## Tray 1 paper orientation

Position paper correctly in Tray 1 to ensure the best print quality.

**Table 2-1** Letterhead or preprinted—portrait

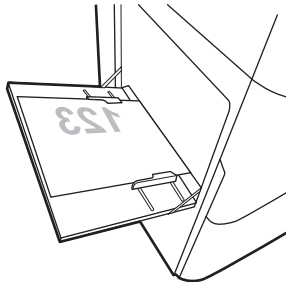
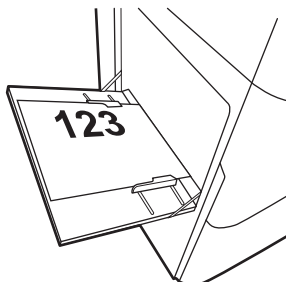
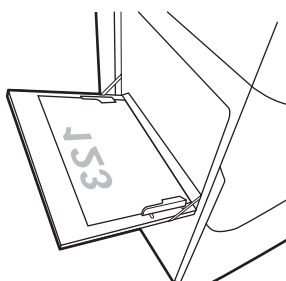
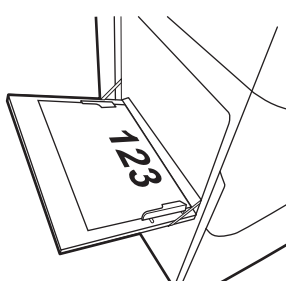
Duplex mode	Paper size	How to load paper
1-sided printing	12x18, 11x17, RA3, A3, 8K (273x394 mm), 8K (270x390 mm), 8K (260x368 mm), B4 (JIS), Legal, Oficio (8.5x13), Oficio (216x340 mm), C4, SRA4, RA4, Arch A, A4, Letter, 16K (197x273 mm) 16K (195x270 mm), Executive, A5, 16K (184x260 mm), B5 (JIS), Arch A, Statement, 5x8, Double Japan Postcard (148x200 mm), B6 (JIS), 5x7, 4x6, 10x15 cm, A6, Japanese Postcard (100x148 mm)	Face-down Bottom edge leading into the printer

**Table 2-1 Letterhead or preprinted—portrait (continued)**

Duplex mode	Paper size	How to load paper
1-sided printing	A4, Letter, 16K (197x273 mm) 16K (195x270 mm), Executive, A5, 16K (184x260 mm), B5 (JIS), Arch A, Statement, 5x8, Double Japan Postcard (148x200 mm), 16K (195x270 mm), 16K (197x273 mm), B6 (JIS), 5x7, A6, Japanese Postcard (100x148 mm)	<p>Face-down</p> <p>Left side of pre-printed image leading into the printer</p> 
Automatic 2-sided printing or with Alternative Letterhead Mode enabled	12x18, 11x17, RA3, A3, 8K (273x394 mm), 8K (270x390 mm), 8K (260x368 mm), B4 (JIS), Legal, Oficio (8.5x13), Oficio (216x340 mm), C4, SRA4, RA4, Arch A, A4, Letter, 16K (197x273 mm) 16K (195x270 mm), Executive, A5, 16K (184x260 mm), B5 (JIS), Arch A, Statement, 5x8, Double Japan Postcard (148x200 mm), B6 (JIS), 5x7, 4x6, 10x15 cm, A6, Japanese Postcard (100x148 mm)	<p>Face-up</p> <p>Top edge leading into the printer</p> 
Automatic 2-sided printing or with Alternative Letterhead Mode enabled	A4, Letter, 16K (197x273 mm), 16K (195x270 mm), Executive, A5, 16K (184x260 mm), B5 (JIS), Arch A, Statement, 5x8, Double Japan Postcard (148x200 mm), 16K (195x270 mm), 16K (197x273 mm), B6 (JIS), 5x7, A6, Japanese Postcard (100x148 mm)	<p>Face-up</p> <p>Right side of pre-printed image leading into the printer</p> 

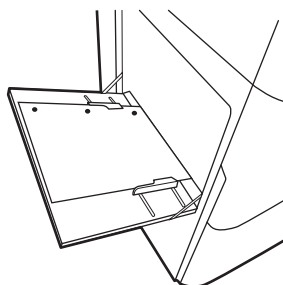
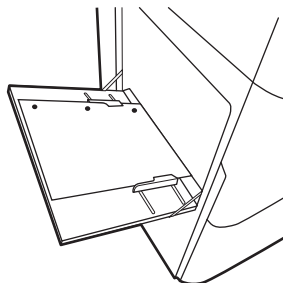


**Table 2-2 Letterhead or preprinted—landscape**

Duplex mode	Paper size	How to load paper
1-sided printing	<p>12x18, 11x17, RA3, A3, 8K (273x394 mm), 8K (270x390 mm), 8K (260x368 mm), B4 (JIS), Legal, Oficio (8.5x13), Oficio (216x340 mm), C4, SRA4, RA4, Arch A, A4, Letter, 16K (197x273 mm), 16K (195x270 mm), Executive, A5, 16K (184x260 mm), B5 (JIS), Statement, 5x8, Double Japan Postcard (148x200 mm), B6 (JIS), 5x7</p> <p>4x6, 10x15 cm, A6, Japanese Postcard (these are more narrow than 5 in and therefore must be fed short-edge-feed)</p>	<p>Face-down</p> <p>Left side of pre-printed image leading into the printer</p> 
Automatic 2-sided printing or with Alternative Letterhead Mode enabled	<p>12x18, 11x17, RA3, A3, 8K (273x394 mm), 8K (270x390 mm), 8K (260x368 mm), B4 (JIS), Legal, Oficio (8.5x13), Oficio (216x340 mm), C4, SRA4, RA4, Arch A, A4, Letter, 16K (197x273 mm), 16K (195x270 mm), Executive, A5, 16K (184x260 mm), B5 (JIS), Statement, 5x8, Double Japan Postcard (148x200 mm), B6 (JIS), 5x7</p> <p>4x6, 10x15 cm, A6, Japanese Postcard (these are more narrow than 5 in and therefore must be fed short-edge-feed)</p>	<p>Face-up</p> <p>Right side of the pre-printed image leading into the printer</p> 
1-sided printing	<p>A4, Letter, 16K (197x273 mm) 16K (195x270 mm), Executive, A5, 16K (184x260 mm), B5 (JIS), Arch A, Statement, 5x8, Double Japan Postcard, 5x7, B6 (JIS), A6</p>	<p>Face-down</p> <p>Bottom edge leading into the printer</p> 
Automatic 2-sided printing or with Alternative Letterhead Mode enabled	<p>A4, Letter, 16K (197x273 mm) 16K (195x270 mm), Executive, A5, 16K (184x260 mm), B5 (JIS), Arch A, Statement, 5x8, Double Japan Postcard, 5x7, B6 (JIS), A6</p>	<p>Face-up</p> <p>Top edge leading into the printer</p> 

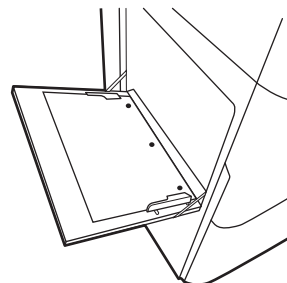
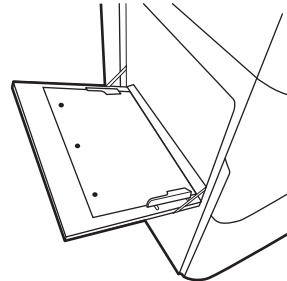
**Table 2-3** Prepunched—portrait

Duplex mode	Paper size	How to load paper
1-sided printing	12x18, 11x17, RA3, A3, 8K (273x394 mm), 8K (270x390 mm), 8K (260x368 mm), B4 (JIS), Legal, Oficio (8.5x13), Oficio (216x340 mm), C4, SRA4, RA4, Arch A, A4, Letter, 16K (197x273 mm) 16K (195x270 mm), Executive, A5, 16K (184x260 mm), B5 (JIS), Arch A, Statement, A6, 5x8, Double Japan Postcard (148x200 mm), B6 (JIS), 5x7, 4x6, 10x15 cm, Japanese Postcard	Face-down Holes toward the back of the printer
Automatic 2-sided printing or with Alternative Letterhead Mode enabled	12x18, 11x17, RA3, A3, 8K (273x394 mm), 8K (270x390 mm), 8K (260x368 mm), B4 (JIS), Legal, Oficio (8.5x13), Oficio (216x340 mm), C4, SRA4, RA4, Arch A, A4, Letter, 16K (197x273 mm) 16K (195x270 mm), Executive, A5, 16K (184x260 mm), B5 (JIS), Arch A, Statement, A6, 5x8, Double Japan Postcard (148x200 mm), B6 (JIS), 5x7, 4x6, 10x15 cm, Japanese Postcard	Face-up Holes toward the back of the printer



**Table 2-4** Prepunched—landscape

Duplex mode	Paper size	How to load paper
1-sided printing	A4, Letter, 16K (197x273 mm) 16K (195x270 mm), Executive, A5, 16K (184x260 mm), B5 (JIS), Arch A, Statement, 5x8, Double Japan Postcard, 5x7, B6 (JIS), A6	Face-down Holes away from the printer
Automatic 2-sided printing or with Alternative Letterhead Mode enabled	A4, Letter, 16K (197x273 mm) 16K (195x270 mm), Executive, A5, 16K (184x260 mm), B5 (JIS), Arch A, Statement, 5x8, Double Japan Postcard, 5x7, B6 (JIS), A6	Face-up Holes towards the printer



## Use alternative letterhead mode

Use the [Alternative Letterhead Mode](#) feature to load letterhead or preprinted paper into the tray the same way for all jobs, whether printing to one side of the sheet of paper or to both sides. When using this mode, load paper as for automatic duplex printing.

### Enable Alternative Letterhead Mode by using the printer control-panel menus

Use the [Settings](#) menu to set the [Alternative Letterhead Mode](#) setting.

1. From the Home screen on the printer control panel, navigate to and open the [Settings](#) menu.
2. Open the following menus:
  - a. [Copy/Print](#) or [Print](#)
  - b. [Manage Trays](#)
  - c. [Alternative Letterhead Mode](#)
3. Select [On](#).

## Load paper to Tray 2

The following information describes how to load paper into Tray 2 and the optional 550-sheet trays.

**⚠ CAUTION:** Do not extend more than one paper tray at a time. Do not use paper tray as a step. Keep hands out of paper trays when closing. All trays must be closed when moving the printer.

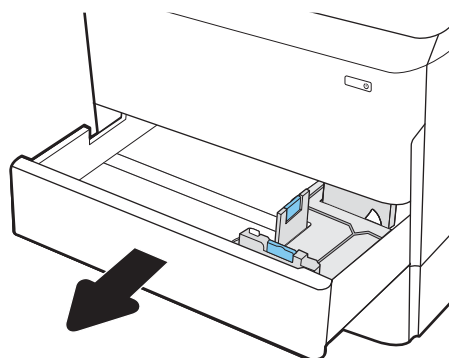
**📝 NOTE:** The procedure to load paper for all 550-sheet trays is the same as for Tray 2. Only Tray 2 is shown here.

### Load Tray 2 and the 550-sheet trays

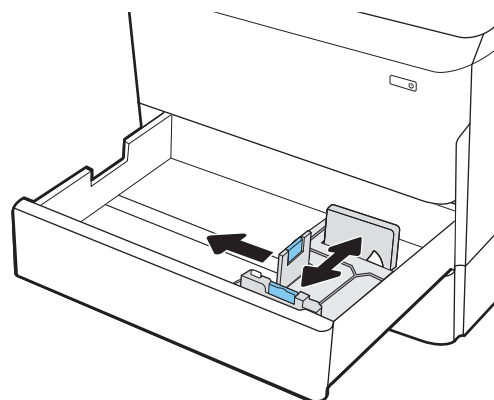
These trays hold up to 550 sheets of 75 g/m<sup>2</sup> (20 lb) paper.

1. Open the tray.

**NOTE:** Do not open this tray while it is in use.



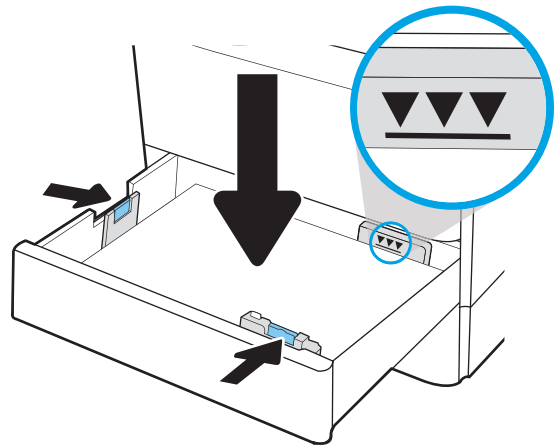
2. Adjust the paper-length and paper-width guides by squeezing the blue adjustment latches and sliding the guides to the size of the paper being used.



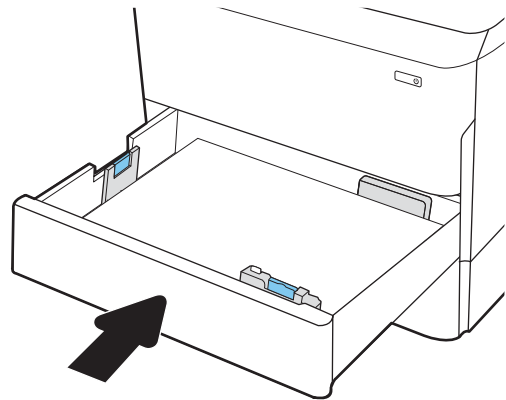
3. Load paper into the tray. Check the paper to verify that the guides touch the stack, but do not bend it. For information about how to orient the paper, see [Tray 2 and the 550-sheet trays paper orientation on page 47](#).

**NOTE:** To prevent jams, do not overfill the tray. Be sure that the top of the stack is below the tray full indicator.

**NOTE:** If the tray is not adjusted correctly, an error message might appear during printing or the paper might jam.

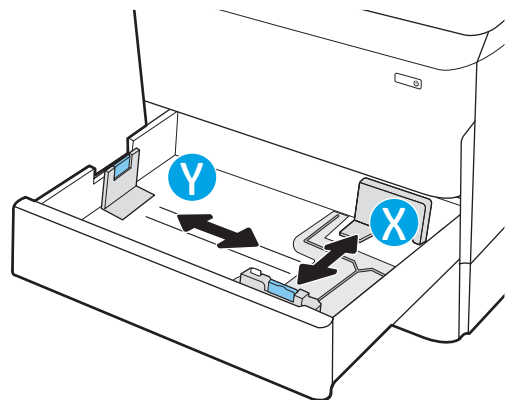


4. Close the tray.



5. The tray configuration message displays on the printer control panel.
6. Select the **OK** button to accept the detected type and size, or select the **Modify** button to choose a different paper size or type.

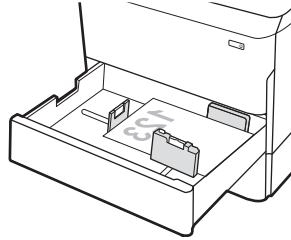
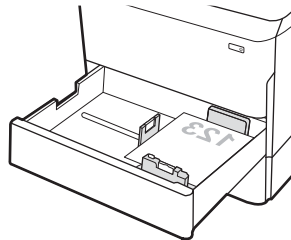
For custom-size paper, specify the X and Y dimensions for the paper when the prompt displays on the printer control panel.



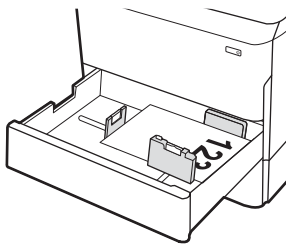
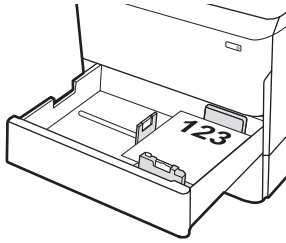
## Tray 2 and the 550-sheet trays paper orientation

Position paper correctly in Tray 2 and the 550-sheet trays to ensure the best print quality.

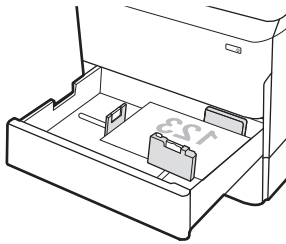
**Table 2-5 Letterhead or preprinted—portrait**

Duplex mode	Paper size	How to load paper
1-sided printing	11x17, A3, 8K (273x397 mm), 8K (270x390 mm), 8K (260x368 mm), B4 (JIS), Legal, Oficio (8.5x13), Oficio (216x340 mm), C4, SRA4, RA4, Arch A, A4, Letter, 12x18	Face-down Top edge at the left side of the tray 
1-sided printing	A4, Letter, 16K (197x273 mm) 16K (195x270 mm), Executive, A5, 16K (184x260 mm), B5 (JIS)	Face-down Top edge at the back of the tray 

**Table 2-5 Letterhead or preprinted—portrait (continued)**

Duplex mode	Paper size	How to load paper
Automatic 2-sided printing or with Alternative Letterhead Mode enabled	11x17, A3, 8K (273x397 mm), 8K (270x390 mm), 8K (260x368 mm), B4 (JIS), Legal, Oficio (8.5x13), Oficio (216x340 mm), C4, SRA4, RA4, Arch A, A4, Letter, 12x18	Face-up Top edge at the right side of the tray
		
Automatic 2-sided printing or with Alternative Letterhead Mode enabled	A4, Letter, 16K (197x273 mm) 16K (195x270 mm), Executive, A5, 16K (184x260 mm), B5 (JIS)	Face-up Top edge at the back of the tray
		

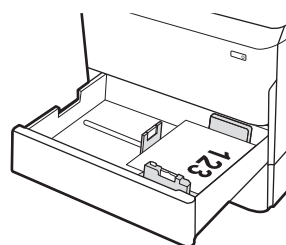
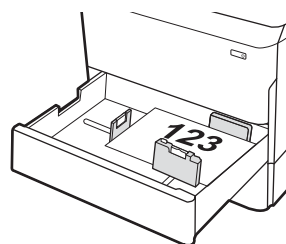
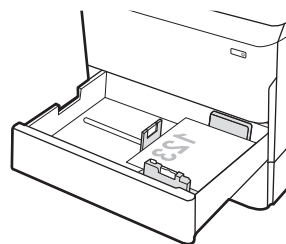
**Table 2-6 Letterhead or preprinted—landscape**

Duplex mode	Paper size	How to load paper
1-sided printing	11x17, A3, 8K (273x397 mm), 8K (270x390 mm), 8K (260x368 mm), B4 (JIS), Legal, Oficio (8.5x13), Oficio (216x340 mm), C4, SRA4, RA4, Arch A, A4, Letter, 12x18	Face-down Top edge at the back of the tray
		



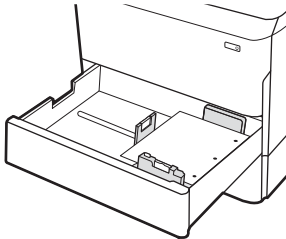
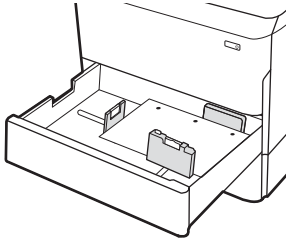
**Table 2-6 Letterhead or preprinted—landscape (continued)**

Duplex mode	Paper size	How to load paper
1-sided printing	A4, Letter, 16K (197x273 mm) 16K (195x270 mm), Executive, A5, 16K (184x260 mm), B5 (JIS)	Face-down Top edge at the left side of the tray
Automatic 2-sided printing or with Alternative Letterhead Mode enabled	11x17, A3, 8K (273x397 mm), 8K (270x390 mm), 8K (260x368 mm), B4 (JIS), Legal, Oficio (8.5x13), Oficio (216x340 mm), C4, SRA4, RA4, Arch A, A4, Letter, 12x18	Face-up Top edge at the back of the tray
Automatic 2-sided printing or with Alternative Letterhead Mode enabled	A4, Letter, 16K (197x273 mm) 16K (195x270 mm), Executive, A5, 16K (184x260 mm), B5 (JIS)	Face-up Top edge at the right side of the tray



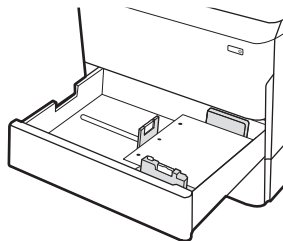
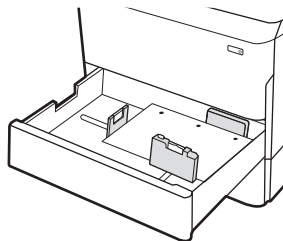
**Table 2-7** Prepunched—portrait

Duplex mode	Paper size	How to load paper
1-sided printing	11x17, A3, 8K (273x397 mm), 8K (270x390 mm), 8K (260x368 mm), B4 (JIS), Legal, Oficio (8.5x13), Oficio (216x340 mm), C4, SRA4, RA4, Arch A, A4, Letter, 12x18	Face-down Holes at the back of the tray
1-sided printing	A4, Letter, 16K (197x273 mm) 16K (195x270 mm), Executive, A5, 16K (184x260 mm), B5 (JIS)	Face-down Holes at the right side of the tray



**Table 2-7** Prepunched—portrait (continued)

Duplex mode	Paper size	How to load paper
Automatic 2-sided printing or with Alternative Letterhead Mode enabled	11x17, A3, 8K (273x397 mm), 8K (270x390 mm), 8K (260x368 mm), B4 (JIS), Legal, Oficio (8.5x13), Oficio (216x340 mm), C4, SRA4, RA4, Arch A, A4, Letter, 12x18	Face-up Holes at the back of the tray
Automatic 2-sided printing or with Alternative Letterhead Mode enabled	A4, Letter, 16K (197x273 mm) 16K (195x270 mm), Executive, A5, 16K (184x260 mm), B5 (JIS)	Face-up Holes at the left side of the tray, with the top of the form at the rear of the printer



## Use alternative letterhead mode

Use the [Alternative Letterhead Mode](#) feature to load letterhead or preprinted paper into the tray the same way for all jobs, whether printing to one side of the sheet of paper or to both sides. When using this mode, load paper as for automatic duplex printing.

### Enable Alternative Letterhead Mode by using the printer control-panel menus

Use the [Settings](#) menu to set the [Alternative Letterhead Mode](#) setting.

1. From the Home screen on the printer control panel, navigate to and open the [Settings](#) menu.
2. Open the following menus:
  - a. [Copy/Print](#) or [Print](#)
  - b. [Manage Trays](#)
  - c. [Alternative Letterhead Mode](#)
3. Select [On](#).

## Load the 4,000-sheet high-capacity input (HCI) tray

The following information describes how to load paper in the high-capacity input tray, which is available as an accessory for all models.

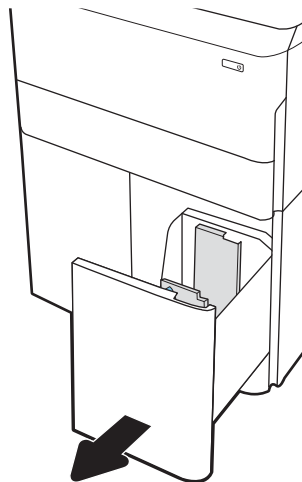
**⚠ CAUTION:** Do not extend more than one paper tray at a time. Do not use paper tray as a step. Keep hands out of paper trays when closing. All trays must be closed when moving the printer.

### Load the HCI

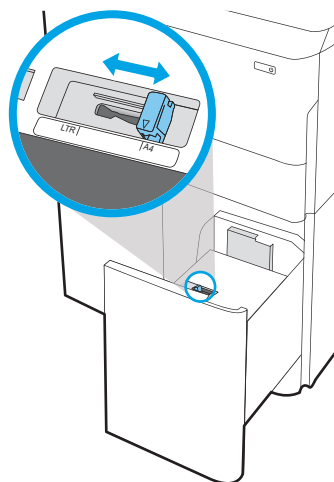
The two trays hold up to 4,000 sheets of 75 g/m<sup>2</sup> (20 lb) paper.

1. Open the tray.

**NOTE:** Do not open this tray while it is in use.



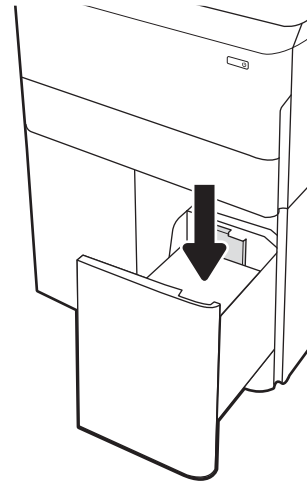
2. Adjust the paper-size guide to the correct position for the paper.



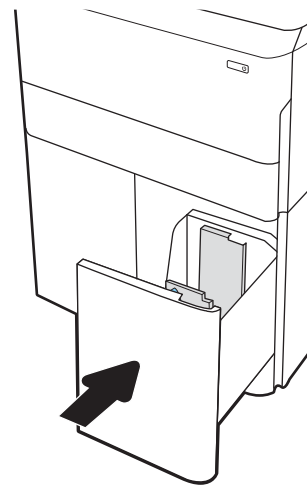
3. Load paper into the tray. Check the paper to verify the guides lightly touch the stack, but do not bend it.

**NOTE:** To prevent jams, do not overfill the tray. Be sure that the top of the stack is below the tray full indicator.

**NOTE:** If the tray is not adjusted correctly, an error message might appear during printing or the paper might jam.



4. Close the tray.



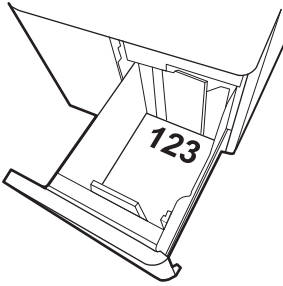
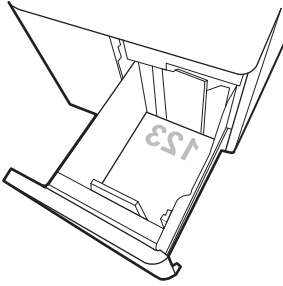
5. The tray configuration message displays on the printer control panel.
6. Select the **OK** button to accept the detected type and size, or select the **Modify** button to choose a different paper size or type.

## HCI paper orientation

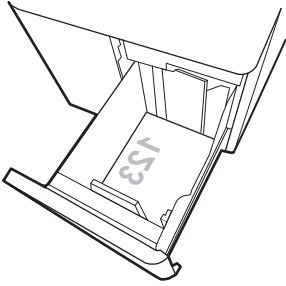
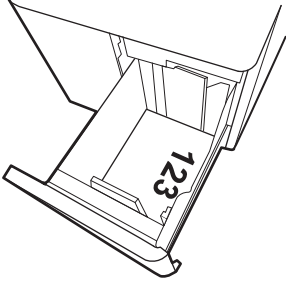
Position paper correctly in the HCI to ensure the best print quality.

**Table 2-8** Letterhead or preprinted—portrait

Duplex mode	Paper size	How to load paper
1-sided printing	A4, Letter	Face-down Top edge at the back of the tray
Automatic 2-sided printing or with Alternative Letterhead Mode enabled	A4, Letter	Face-up Top edge at the back of the tray



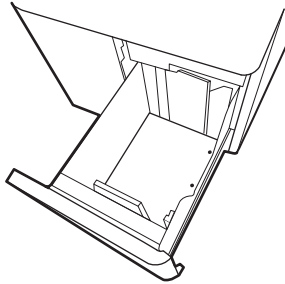
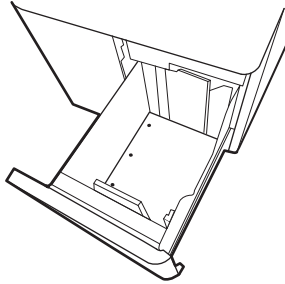
**Table 2-9** Letterhead or preprinted—landscape

Duplex mode	Paper size	How to load paper
1-sided printing	A4, Letter	Face-down Top edge at the left side of the tray
 A perspective view of an open paper tray. The number '153' is printed on the bottom surface of the tray.		
Automatic 2-sided printing or with Alternative Letterhead Mode enabled	A4, Letter	Face-up Top edge at the right side of the tray
 A perspective view of an open paper tray. The number '123' is printed on the bottom surface of the tray.		



**Table 2-10** Prepunched—landscape

Duplex mode	Paper size	How to load paper
1-sided printing	A4, Letter	Face-down Holes at the left side of the tray
Automatic 2-sided printing or with Alternative Letterhead Mode enabled	A4, Letter	Face-up Holes at the right side of the tray, with the top of the form to the right side



## Use alternative letterhead mode

Use the [Alternative Letterhead Mode](#) feature to load letterhead or preprinted paper into the tray the same way for all jobs, whether printing to one side of the sheet of paper or to both sides. When using this mode, load paper as for automatic duplex printing.

### Enable Alternative Letterhead Mode by using the printer control-panel menus

Use the [Settings](#) menu to set the [Alternative Letterhead Mode](#) setting.

1. From the Home screen on the printer control panel, navigate to and open the [Settings](#) menu.
2. Open the following menus:
  - a. [Copy/Print](#) or [Print](#)
  - b. [Manage Trays](#)
  - c. [Alternative Letterhead Mode](#)
3. Select [On](#).

# Load and print envelopes

The following information describes how to print and load envelopes. Use only Tray 1 to print on envelopes. Tray 1 holds up to 14 envelopes, depending on envelope design and environmental conditions.

## Print envelopes

To print envelopes using the manual feed option, follow these steps to select the correct settings in the print driver, and then load the envelopes into the tray after sending the print job to the printer.

---

 **NOTE:** When using manual feed, wait until the control panel prompts you to load envelopes in Tray 1.


---

1. From the software program, select the **Print** option.
2. Select the printer from the list of printers, and then click or tap the **Properties** or **Preferences** button to open the print driver.

---

 **NOTE:** The name of the button varies for different software programs.

---

 **NOTE:** To access print features from a Windows 8 or 8.1 Start screen app, select **Devices**, select **Print**, and then select the printer. For Windows 10, select **Print**, which can vary depending on the application. For Windows 8, 8.1, and 10, these applications will have a different layout with different features than what is described below for desktop applications. For the HP PCL-6 V4 driver, the HP AiO Printer Remote application will download additional driver features when **More settings** is selected.

---

3. Click or tap the **Paper/Quality** tab.
4. In the **Paper size** drop-down list, select the correct size for the envelopes.
5. In the **Paper type** drop-down list, select **More**.
6. Under **Type is**, select **Other**, and then select **Envelope**.
7. In the **Paper source** drop-down list, select **Manual feed**.
8. Click the **OK** button to close the **Document Properties** dialog box.
9. In the **Print** dialog box, click the **OK** button to print the job.

## Envelope orientation

Envelopes need to be loaded in a specific manner in order to print correctly.

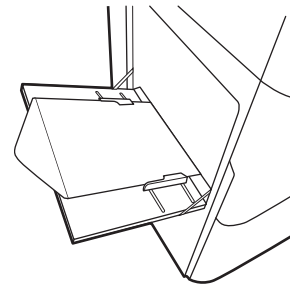
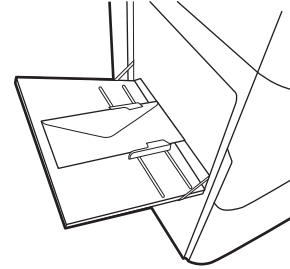
---

 **NOTE:** The printer does not support duplex printing on envelopes.

---

**Table 2-11 Envelope orientation**

Tray	Envelope size	How to load
Tray 1	Envelope #9, Envelope #10, Envelope Monarch, Envelope DL, Envelope B5, Envelope C5 (wallet), Envelope C6	Face-down Top edge toward the back of the printer
Tray 1	Envelope B5, Japanese Envelope Chou #3, Envelope C5 (pocket)	Face-down Bottom edge leading into the printer; top flap open



# Load and print labels

The following information describes how to print and load labels.


## Manually feed labels

Use the manual feed mode for Tray 1 to print sheets of labels.

1. From the software program, select the **Print** option.
2. Select the printer from the list of printers, and then click or tap the **Properties** or **Preferences** button to open the print driver.

---

 **NOTE:** The name of the button varies for different software programs.

 **NOTE:** To access print features from a Windows 8 or 8.1 Start screen app, select **Devices**, select **Print**, and then select the printer. For Windows 10, select **Print**, which can vary depending on the application. For Windows 8, 8.1, and 10, these applications will have a different layout with different features than what is described below for desktop applications. For the HP PCL-6 V4 driver, the HP AiO Printer Remote application will download additional driver features when **More settings** is selected.

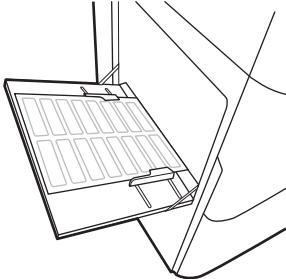
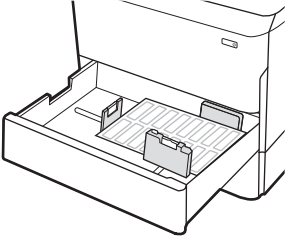
---

3. Click the **Paper/Quality** tab.
4. In the **Paper size** drop-down list, select the correct size for the sheets of labels.
5. In the **Paper type** drop-down list, select **Labels**.
6. In the **Paper source** drop-down list, select **Manual feed**.
7. Click the **OK** button to close the **Document Properties** dialog box.
8. In the **Print** dialog box, click the **Print** button to print the job.

## Label orientation

Labels need to be loaded in a specific manner in order to print correctly.

**Table 2-12** Label orientation

Tray	How to load labels
Tray 1	Face-down Bottom edge leading into the printer
	
550-sheet trays	Face-down Top edge at the left side of the tray
	

# Configure inner finisher stapling (E77650dns, E77650zs, E77660dns, E77660zs, P77940dns, P77950dns, and P77960dns models only)

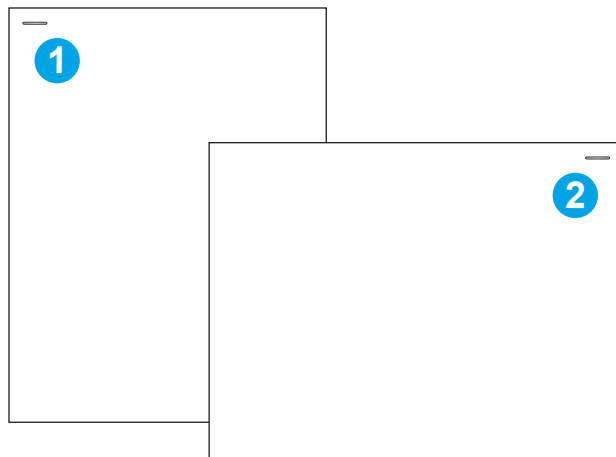
The following information describes how to load staples and configure the options for the stapling accessory.

The stapling accessory can staple documents in the upper left or upper right corners, and it can stack up to 250 sheets of paper in the finisher.

## Configure the default staple location

Use the printer control panel to configure the default staple location.

1. From the Home screen on the printer control panel, swipe until the **Settings** menu displays. Select the **Settings** icon to open the menu.
2. Open the following menus:
  - a. **Copy/Print**
  - b. **Default Print Options**
  - c. **Staple**
3. Select a staple location from the list of options. The following options are available:
  - **None**: No staples
  - **Top left or right**: If the document has portrait orientation, the staple is in the top left corner of the short edge of the paper. If the document has landscape orientation, the staple is in the top right corner of the long edge of the paper.
  - **Top left**: The staple is in the top left corner of the short edge of the paper.
  - **Top right**: The staple is in the top right corner of the long edge of the paper.



Number	Description
1	Top left corner of the short edge of the paper
2	Top right corner of the long edge of the paper

## Configure the operation mode

Use this procedure to configure how the printer sorts jobs into the output bins.

### Configure the operation mode from the printer control panel


Use the printer control panel to configure the operation mode.

1. From the Home screen on the printer control panel, swipe until the **Settings** menu displays. Select the **Settings** icon to open the menu.
2. Open the following menus:
  - a. **Manage Stapler/Stacker**
  - b. **Job Offset**
3. Select either **On** or **Off**. The **Job Offset** setting, when set to **On**, separates print or copy jobs by shifting the output stack of each job to one side or the other. This offset makes it easier to separate multiple jobs that are printed or copied consecutively.

### Windows® 7

To configure the HP print driver for the selected operation mode, complete the following steps:

---

 **NOTE:** Changing the operation mode causes the printer to restart.

---

Windows XP, Vista, and Server 2008 (32-bit versions for each) HP PCL6 drivers do not support output devices.

---


1. Make sure the printer is turned on and connected to the computer or a network.
2. Open the Windows® Start menu, and then click **Devices and Printers**.
3. Right-click the name of the printer, and then select **Printer Properties**.
4. Click the **Device Settings** tab.
5. Select **Update Now**. Or, in the drop-down menu next to **Automatic Configuration**, select **Update Now**.

### Windows® 8.0, 8.1, and 10

To configure the HP print driver for the selected operation mode, complete the following steps:

1. Right-click on the bottom-left corner of the screen.
2. Select **Control Panel**. Under **Hardware and Sound**, select **View devices and printers**.
3. Right-click the name of the printer, and then select **Printer Properties**.
4. Click the **Device Settings** tab.
5. Select **Update Now**. Or, in the drop-down menu next to **Automatic Configuration**, select **Update Now**.

---

 **NOTE:** Newer HP PCL-6 V4 drivers do not support **Update Now**. For these drivers, stop and restart the print spooler. Click the **Start** button (or open a search box), in the search box type "services.msc", and then press the **Enter** key. Right-click **Print Spooler** in the list of services, select **Stop**, and then right-click and select **Start**. Or, simply shut down and restart the computer.

---



## macOS

To configure the HP print driver for the selected operation mode, complete the following steps:

- ▲ The operation mode is configured at the time of printing.



---

## 3 Supplies, accessories, and parts

Order supplies or accessories, replace the toner cartridges, or remove and replace another part.

For video assistance, see [www.hp.com/videos/PageWide](http://www.hp.com/videos/PageWide).

The following information is correct at the time of publication. For current information, see [www.hp.com/support/pwcolormfpE77650](http://www.hp.com/support/pwcolormfpE77650), or [www.hp.com/support/pwcolormfpE77660](http://www.hp.com/support/pwcolormfpE77660), or [www.hp.com/support/pwcolorP77940mfp](http://www.hp.com/support/pwcolorP77940mfp), or [www.hp.com/support/pwcolorP77950mfp](http://www.hp.com/support/pwcolorP77950mfp), or [www.hp.com/support/pwcolorP77960mfp](http://www.hp.com/support/pwcolorP77960mfp), or [www.hp.com/support/pwcolorP77440mfp](http://www.hp.com/support/pwcolorP77440mfp).

### For more information:

HP's all-inclusive help for the printer includes the following information:

- Install and configure
- Learn and use
- Solve problems
- Download software and firmware updates
- Join support forums
- Find warranty and regulatory information

# Order supplies, accessories, and parts

Find out how to obtain replacement supplies, accessories, and parts for the printer.

## Ordering

Order parts, supplies, or accessories through one of the following channels.

**Table 3-1** Ordering options

Ordering option	Ordering information
Order supplies and paper	<a href="http://www.hp.com">www.hp.com</a>
Order genuine HP parts or accessories	<a href="http://www.hp.com/buy/parts">www.hp.com/buy/parts</a>
Order through service or support providers	Contact an HP-authorized service or support provider.
Order using the HP Embedded Web Server (EWS)	To access, in a supported web browser on your computer, enter the printer IP address or host name in the address/URL field. The EWS contains a link to the HP website, which provides options for purchasing Original HP supplies.

## Supplies and accessories

Find information about the supplies and accessories that are available for your printer.



**NOTE:** Go to [www.hp.com/support/pwcolormfpE77650](http://www.hp.com/support/pwcolormfpE77650), or [www.hp.com/support/pwcolormfpE77660](http://www.hp.com/support/pwcolormfpE77660), or [www.hp.com/support/pwcolorP77940mfp](http://www.hp.com/support/pwcolorP77940mfp), or [www.hp.com/support/pwcolorP77950mfp](http://www.hp.com/support/pwcolorP77950mfp), or [www.hp.com/support/pwcolorP77960mfp](http://www.hp.com/support/pwcolorP77960mfp), or [www.hp.com/support/pwcolorP77440mfp](http://www.hp.com/support/pwcolorP77440mfp) to view a full list of supplies available for the printer.

**Table 3-2** Accessories

Item	Description	Cartridge number	Part number
1 GB DDR3 Memory DIMM	Memory upgrade kit	Not applicable	E5K48A
2 GB DDR3 Memory DIMM (P77440, P77940, P77950, P77960 models only)	Memory upgrade kit	Not applicable	E5K49A
HP PageWide 550-sheet Paper Tray	Optional input tray	Not applicable	A7W99A
HP PageWide 550-sheet Paper Tray and Stand	Optional input tray and stand	Not applicable	9UW01A
HP PageWide 3x550-sheet Paper Tray and Stand	Optional input trays and stand	Not applicable	9UW02A
HP PageWide 4000-sheet HCI Paper Tray and Stand	Optional high-capacity input feeder and stand	Not applicable	9UW03A
HP PageWide External Stapler Stacker	Optional stapler stacker	Not applicable	9UW04A

**Table 3-2 Accessories (continued)**

Item	Description	Cartridge number	Part number
HP Foreign Interface Harness	Optional port for connecting third-party devices	Not applicable	B5L31A
Two-Internal USB Ports for Solutions, AA Board	Optional USB ports for connecting third-party devices	Not applicable	B5L28A
HP Secure High Performance Hard Disk Drive FIPS Drive	Secure hard drive	Not applicable	B5L29A
HP Jetdirect 3000w Wireless Print Server with NFC	Wireless accessory for "touch" printing from mobile devices	Not applicable	J8031A
HP Jetdirect USB Wireless Print Server	USB wireless print server accessory	Not applicable	J8030A
HP Jetdirect 3100w NFC/BLE Wireless Print Server	USB wireless print server accessory	Not applicable	3JN69A

## Maintenance/long-life consumables (LLC)

Find information about the maintenance/long-life consumables that are available for your printer.

**Table 3-3 Maintenance/long-life consumables (LLC)**

Maintenance/LLC Kit	Part number	Estimated life <sup>1</sup>
HP PageWide ADF Maintenance Kit	J8J95A	150,000 pages
HP PageWide Service Fluid Container	W1B44A	150,000 pages
HP PageWide Printhead Wiper Kit	W1B43A	150,000 pages
HP PageWide Roller Kit	W1B45A	150,000 pages
HP Staple Cartridge Kit, inner finisher	J8J96A	5,000 staples
HP Staple Cartridge Kit, floor standing finisher	Y1G14A	5,000 staples

<sup>1</sup> HP Maintenance/Long Life Consumables (LLC) life specifications are estimations based on the LLC life test conditions listed below. Actual individual life/yield during normal use varies depending on usage, environment, paper and other factors. Estimated life is not an implied guarantee or warrantable.

The LLC life test conditions

- Print coverage: 5% evenly distributed across the page
- Environment: 17° to 25°C (62.6° to 77°F); 30%-70% relative humidity (RH)
- Media size: Letter/A4
- Media weight: 75 g/m<sup>2</sup> (20 lb) plain media
- Job size: 4 pages
- Short edge feed (A3) (i.e., Legal size media)

Factors that can reduce life from the conditions above:

- Media narrower than Letter/A4 widths (short edge feeds equal more mechanism activity per page)
- Paper heavier than 75 g/m2 (20 lb) (heavier media creates higher stress on printer components)
- Print jobs smaller than 4 image (smaller jobs mean more mechanism activity per page)

## Customer self-repair parts

The following parts are available for the printer.

- Parts listed as **Mandatory** self-replacement are to be installed by customers, unless you are willing to pay HP service personnel to perform the repair. For these parts, on-site or return-to-depot support is not provided under the HP product warranty.
- Parts listed as **Optional** self-replacement can be installed by HP service personnel at your request for no additional charge during the product warranty period.

**Table 3-4 Customer self-repair parts**

Item	Description	Self-replacement options	Part number
Service Fluid Container Kit	Replacement service fluid unit	Mandatory	W1B44A
Printhead Wiper Kit	Replacement printhead wiper	Mandatory	W1B43A
Tray 2-5 Roller Kit	Replacement rollers for trays 2-5	Mandatory	W1B45A
ADF Roller Replacement Kit	Replacement feed rollers for the document feeder	Mandatory	J8J95A
Staple Cartridge Kit	Replacement staple cartridge	Mandatory	Y1G14A
Tray 2-5 Assembly Kit	Replacement Tray 2-5	Mandatory	A7X02A
Optional 550-sheet Table Top Feeder	Replacement Tray 3 feeder	Mandatory	A7W99A
1x550-sheet Paper Feeder and Stand	Replacement Tray 3 feeder and stand	Mandatory	9UW01A
3x550-sheet Paper Feeder and Stand	Replacement 3x550-sheet paper feeder and stand	Mandatory	9UW02A
HP Page Wide 4000-sheet HCI Paper Tray and Stand	Optional high-capacity input feeder and stand	Mandatory	9UW03A
HP Secure High Performance Hard Disk Drive FIPS Drive	Replacement secure hard drive	Mandatory	B5L29A
Overlay-Keyboard Chinese	Replacement keyboard overlay (Flow models)	Mandatory	A7W12A
Overlay-Keyboard Sweden	Replacement keyboard overlay (Flow models)	Mandatory	A7W14A
HP Jetdirect 2900nw Print Server	Replacement USB wireless print server accessory	Mandatory	J8031A
HP Jetdirect 3000w NFC/Wireless Accessory	Replacement Wireless Direct Print accessory for "touch" printing from mobile devices	Mandatory	J8030A
HP 1 GB DDR3x32 144- Pin 800 MHz SODIMM	Replacement memory DIMM	Mandatory	E5K48A
HP LaserJet MFP Analog Fax Accessory 500	Replacement fax board	Mandatory	CC487A

**Table 3-4** Customer self-repair parts (continued)

Item	Description	Self-replacement options	Part number
HP Foreign Interface Harness	Replacement HP Foreign Interface Harness	Mandatory	B5L31A
Two-Internal USB Ports for Solutions, AA Board	Optional USB ports for connecting third-party devices	Mandatory	B5L28A

# Replace the toner cartridges

Replace the toner cartridges if you receive a message on the printer, or if you have print quality problems.

## Cartridge information

This printer indicates when the cartridge level is low, very low, or depleted.

The printer uses four colors and has a different cartridge for each color: yellow (Y), cyan (C), magenta (M), and black (K).

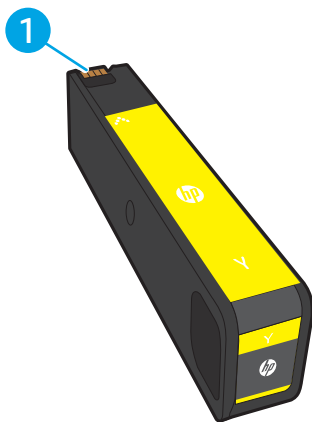
Do not remove the cartridge from its package until you are ready to use it.

---

**CAUTION:** To prevent damage to the cartridge do not touch the gold-colored metal contacts of the cartridge.

---

The following illustration shows the cartridge components.



---

Number	Description
1	Metal contact. Do not touch the gold-colored metal contacts of the cartridge. Fingerprints on the contacts can damage the cartridge.

---

To purchase cartridges or check cartridge compatibility for the printer, go to [www.hp.com](http://www.hp.com). Scroll to the bottom of the page and verify that the country/region is correct.

---

**NOTE:** Information about recycling used cartridges is in the cartridge box.

---

## Remove and replace the cartridges

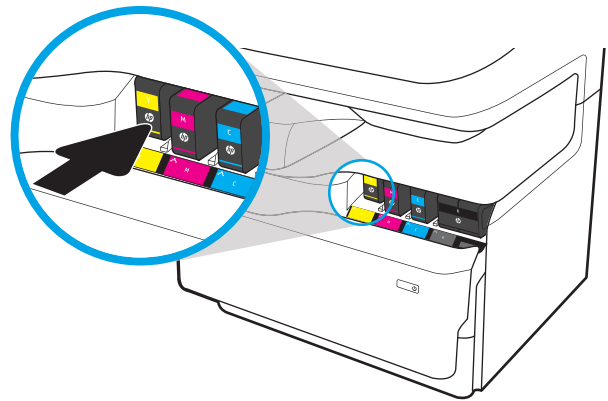
Follow these steps to replace the cartridges.



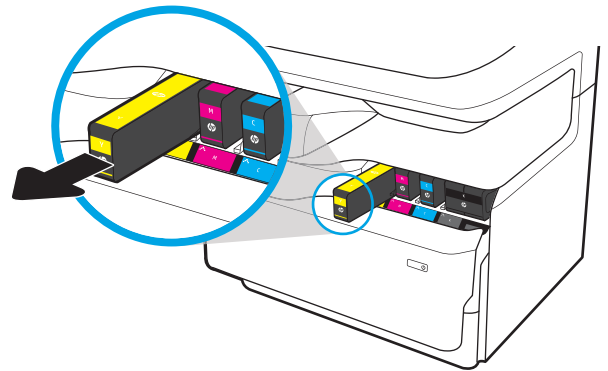
1. Open the cartridge door.



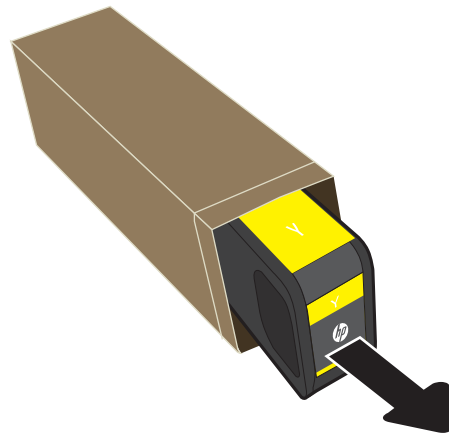
2. Push the old cartridge inward to unlock it.



3. Grasp the edge of the old cartridge and then pull the cartridge straight out to remove it.



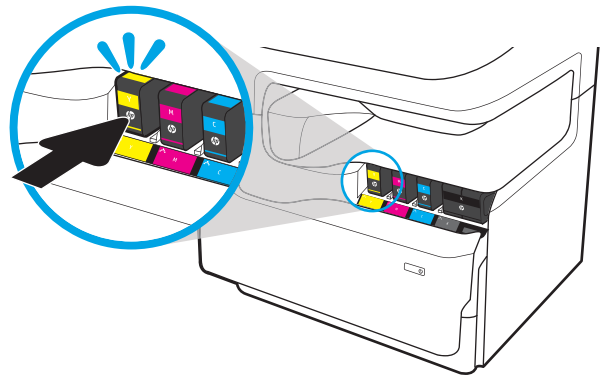
4. Remove the new cartridge from the packaging.



5. Do not touch the gold-colored metal contacts of the cartridge. Fingerprints on the contacts can damage the cartridge.



6. Insert the new cartridge into the product. Make sure the cartridge is firmly in place.



7. Close the cartridge door.



8. Pack the used cartridge in the box that the new cartridge came in. See the enclosed recycling guide for information about recycling.

HP helps you recycle your Original HP cartridges—it's easy and free with the HP Planet Partners program, available in more than 50 countries/regions around the world<sup>1)</sup>.

To find information about how to recycle used HP cartridges, please go to [www.hp.com/recycle](http://www.hp.com/recycle).

<sup>1)</sup> Program availability varies. For more information, visit [www.hp.com/recycle](http://www.hp.com/recycle).

# Replace the service fluid container


Learn how to replace the service fluid container.

## Service fluid container information

The following information provides details about the service fluid container for the printer, and it includes instructions to replace it.

The printer indicates when the service fluid container is nearly full and when it is completely full. When it is completely full, printing stops until the service fluid container is replaced.

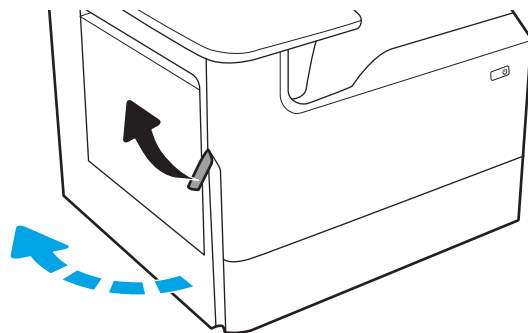
To purchase a service fluid container (part number W1B44A), go to the HP Parts Store at [www.hp.com/buy/parts](http://www.hp.com/buy/parts).

 **NOTE:** The service fluid container is designed for a single use. Do not attempt to empty the service fluid container and reuse it. Doing so could lead to pigment being spilled inside the printer, which could result in reduced print quality. After use, return the service fluid container to HP's Planet Partners program for recycling.

## Remove and replace the service fluid container

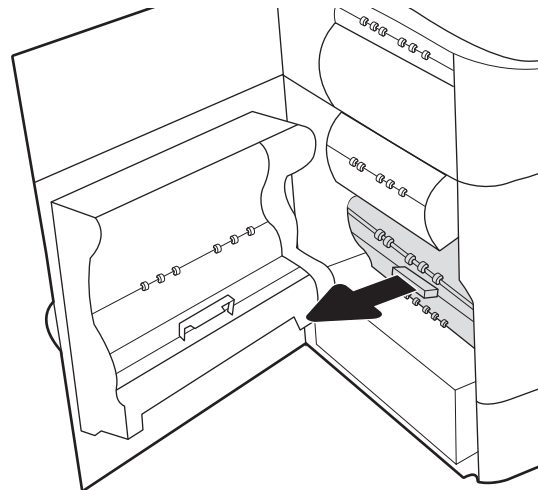
Follow these steps to replace the service fluid container.

1. Open the left door.

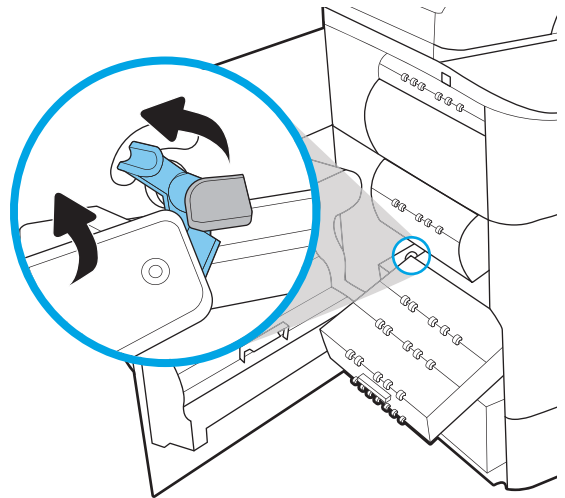


2. Pull the service fluid container away from the printer.

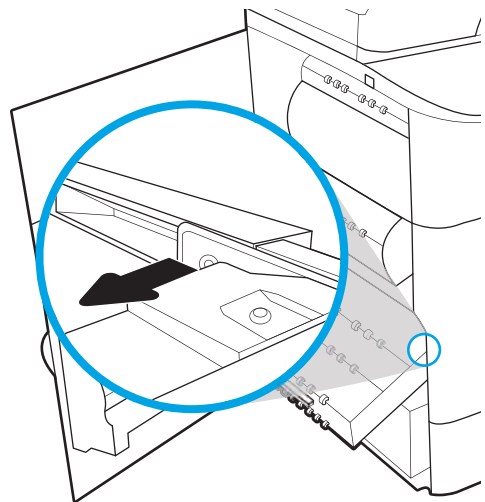
**CAUTION:** When pulling out the service fluid container, avoid making direct contact with the black cylinder to prevent pigment smear on skin or clothes.



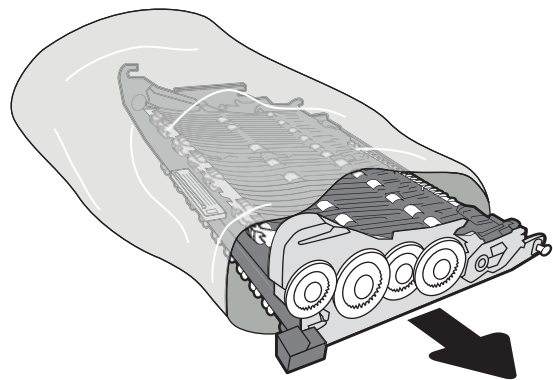
3. On the left side of the service fluid container, release the latch that holds the unit in the alignment track, and then remove the left side of the unit.



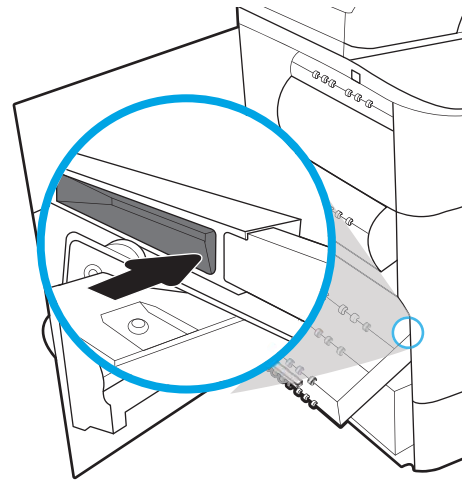
4. Remove the right side from the alignment track, and then remove the unit from the printer. Set the unit aside, upright, on a piece of paper to prevent spills.



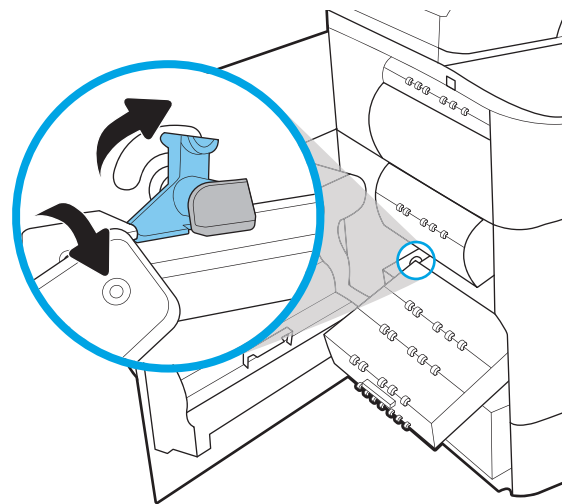
5. Remove the new service fluid container from its packaging.



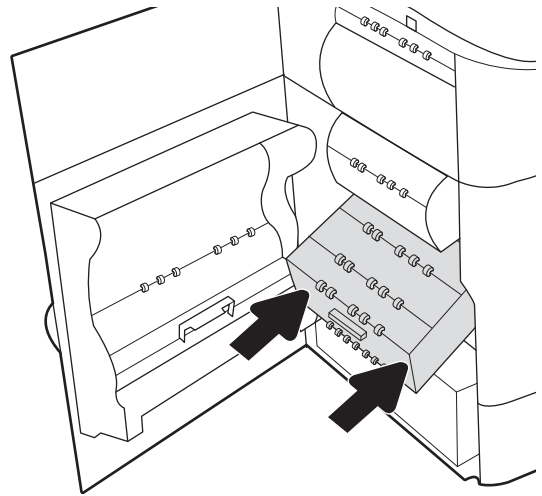
6. Insert the right end of the service fluid container into the alignment track first.



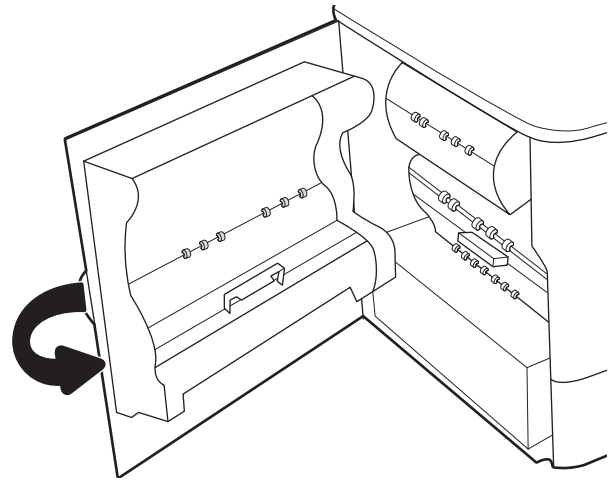
7. Insert the left end of the service fluid container into the alignment track, and then lock the latch that holds the unit in the track.



8. Push the service fluid container into the printer.



9. Close the left door.







---

## 4 Print

Print using the software, or print from a mobile device or USB flash drive.

For video assistance, see [www.hp.com/videos/PageWide](http://www.hp.com/videos/PageWide).

The following information is correct at the time of publication. For current information, see [www.hp.com/support/pwcolormfpE77650](http://www.hp.com/support/pwcolormfpE77650), or [www.hp.com/support/pwcolormfpE77660](http://www.hp.com/support/pwcolormfpE77660), or [www.hp.com/support/pwcolorP77940mfp](http://www.hp.com/support/pwcolorP77940mfp), or [www.hp.com/support/pwcolorP77950mfp](http://www.hp.com/support/pwcolorP77950mfp), or [www.hp.com/support/pwcolorP77960mfp](http://www.hp.com/support/pwcolorP77960mfp), or [www.hp.com/support/pwcolorP77440mfp](http://www.hp.com/support/pwcolorP77440mfp).

### For more information:

HP's all-inclusive help for the printer includes the following information:

- Install and configure
- Learn and use
- Solve problems
- Download software and firmware updates
- Join support forums
- Find warranty and regulatory information

# Print tasks (Windows)

Learn about common printing tasks for Windows users.

## How to print (Windows)

Use the **Print** option from a software application to select the printer and basic options for your print job.

The following procedure describes the basic printing process for Windows.

1. From the software program, select the **Print** option.
2. Select the printer from the list of printers. To change settings, click the **Properties** or **Preferences** button to open the print driver.

---

 **NOTE:** The name of the button varies for different software programs.

In Windows 10, 8.1, and 8, these applications will have a different layout with different features from what is described below for desktop applications. To access the print feature from a Start screen app, complete the following steps:

- **Windows 10:** Select **Print**, and then select the printer.
- **Windows 8.1 or 8:** Select **Devices**, select **Print**, and then select the printer.

For the HP PCL-6 V4 driver, the HP AiO Printer Remote application downloads additional driver features when **More settings** is selected.

---

 **NOTE:** For more information, click the Help (?) button in the print driver.

3. Click the tabs in the print driver to configure the available options. For example, set the paper orientation on the **Finishing** tab, and set the paper source, paper type, paper size, and quality settings on the **Paper/Quality** tab.
4. Click the **OK** button to return to the **Print** dialog box. Select the number of copies to print from this screen.
5. Click the **Print** button to print the job.

## Automatically print on both sides (Windows)

If your printer has an automatic duplexer installed, you can automatically print on both sides of the paper. Use a paper size and type supported by the duplexer.

1. From the software program, select the **Print** option.
2. Select the printer from the list of printers, and then click the **Properties** or **Preferences** button to open the print driver.

---

 **NOTE:** The name of the button varies for different software programs.

In Windows 10, 8.1, and 8, these applications will have a different layout with different features from what is described below for desktop applications. To access the print feature from a Start screen app, complete the following steps:

- **Windows 10:** Select **Print**, and then select the printer.
- **Windows 8.1 or 8:** Select **Devices**, select **Print**, and then select the printer.

For the HP PCL-6 V4 driver, the HP AiO Printer Remote application downloads additional driver features when **More settings** is selected.

---

3. Click the **Finishing** tab.
4. Select **Print on both sides**. Click **OK** to close the **Document Properties** dialog.
5. In the **Print** dialog, click **Print** to print the job.

## Manually print on both sides (Windows)

Use this procedure for printers that do not have an automatic duplexer installed or to print on paper that the duplexer does not support.

1. From the software program, select the **Print** option.
2. Select the printer from the list of printers, and then click the **Properties** or **Preferences** button to open the print driver.

---

 **NOTE:** The name of the button varies for different software programs.

In Windows 10, 8.1, and 8, these applications will have a different layout with different features from what is described below for desktop applications. To access the print feature from a Start screen app, complete the following steps:

- **Windows 10:** Select **Print**, and then select the printer.
- **Windows 8.1 or 8:** Select **Devices**, select **Print**, and then select the printer.

For the HP PCL-6 V4 driver, the HP AiO Printer Remote application downloads additional driver features when **More settings** is selected.

---

3. Click the **Finishing** tab.
4. Select **Print on both sides (manually)**, and then click **OK** to close the **Document Properties** dialog.
5. In the **Print** dialog, click **Print** to print the first side of the job.
6. Retrieve the printed stack from the output bin, and place it in Tray 1.
7. If prompted, select the appropriate control panel button to continue.

## Print multiple pages per sheet (Windows)

When you print from a software application using the **Print** option, you can select an option to print multiple pages on a single sheet of paper. For example, you might want to do this if you are printing a very large document and want to save paper.

1. From the software program, select the **Print** option.
2. Select the printer from the list of printers, and then click the **Properties** or **Preferences** button to open the print driver.

---

 **NOTE:** The name of the button varies for different software programs.

In Windows 10, 8.1, and 8, these applications will have a different layout with different features from what is described below for desktop applications. To access the print feature from a Start screen app, complete the following steps:

- **Windows 10:** Select **Print**, and then select the printer.
- **Windows 8.1 or 8:** Select **Devices**, select **Print**, and then select the printer.

For the HP PCL-6 V4 driver, the HP AiO Printer Remote application downloads additional driver features when **More settings** is selected.

---

3. Click the **Finishing** tab.
4. Select the number of pages per sheet from the **Pages per sheet** drop-down.
5. Select the correct **Print page borders**, **Page order**, and **Orientation** options. Click **OK** to close the **Document Properties** dialog.
6. In the **Print** dialog, click **Print** to print the job.

## Select the paper type (Windows)

When you print from a software application using the **Print** option, you can set the paper type you are using for your print job. For example, if your default paper type is Letter, but you are using a different paper type for a print job, select that specific paper type.

1. From the software program, select the **Print** option.
2. Select the printer from the list of printers, and then click the **Properties** or **Preferences** button to open the print driver.

---

 **NOTE:** The name of the button varies for different software programs.

In Windows 10, 8.1, and 8, these applications will have a different layout with different features from what is described below for desktop applications. To access the print feature from a Start screen app, complete the following steps:

- **Windows 10:** Select **Print**, and then select the printer.
- **Windows 8.1 or 8:** Select **Devices**, select **Print**, and then select the printer.

For the HP PCL-6 V4 driver, the HP AiO Printer Remote application downloads additional driver features when **More settings** is selected.

---

3. Click the **Paper/Quality** tab.
4. Select the paper type from the **Paper type** drop-down list.
5. Click **OK** to close the **Document Properties** dialog. In the **Print** dialog, click **Print** to print the job.

If the tray needs to be configured, a tray configuration message displays on the printer control panel.

6. Load the tray with the specified type and size of paper, and then close the tray.
7. Touch the **OK** button to accept the detected type and size, or touch the **Modify** button to choose a different paper size or type.
8. Select the correct type and size, and then touch the **OK** button.

## Additional print tasks

Locate information on the Web for performing common printing tasks.

Go to [www.hp.com/support/pwcolormfpE77650](http://www.hp.com/support/pwcolormfpE77650), or [www.hp.com/support/pwcolormfpE77660](http://www.hp.com/support/pwcolormfpE77660), or [www.hp.com/support/pwcolorP77940mfp](http://www.hp.com/support/pwcolorP77940mfp), or [www.hp.com/support/pwcolorP77950mfp](http://www.hp.com/support/pwcolorP77950mfp), or [www.hp.com/support/pwcolorP77960mfp](http://www.hp.com/support/pwcolorP77960mfp), or [www.hp.com/support/pwcolorP77440mfp](http://www.hp.com/support/pwcolorP77440mfp).

Instructions are available for print tasks, such as the following:

- Create and use printing shortcuts or presets
- Select the paper size, or use a custom paper size
- Select the page orientation
- Create a booklet
- Scale a document to fit a specific paper size
- Print the first or last pages of the document on different paper
- Print watermarks on a document

## Print tasks (macOS)

Print using the HP printing software for macOS, including how to print on both sides or print multiple pages per sheet.

### How to print (macOS)

Use the **Print** option from a software application to select the printer and basic options for your print job.

The following procedure describes the basic printing process for macOS.

1. Click the **File** menu, and then click the **Print** option.
2. Select the printer.
3. Click **Show Details** or **Copies & Pages**, and then select other menus to adjust the print settings.

---

 **NOTE:** The name of the item varies for different software programs.

---

4. Click the **Print** button.


### Automatically print on both sides (macOS)

If your printer has an automatic duplexer installed, you can automatically print on both sides of the paper. Use a paper size and type supported by the duplexer.

---

 **NOTE:** This information applies to printers that include an automatic duplexer.

---


 **NOTE:** This feature is available if you install the HP print driver. It might not be available if you are using AirPrint®.

---

1. Click the **File** menu, and then click the **Print** option.
2. Select the printer.
3. Click **Show Details** or **Copies & Pages**, and then click the **Layout** menu.

**macOS 10.14 Mojave and later:** Click **Show Details**, click **Two-Sided**, and then click the **Layout** menu.

---

 **NOTE:** The name of the item varies for different software programs.

---

4. Select a binding option from the **Two-Sided** drop-down list.
5. Click the **Print** button.

### Manually print on both sides (macOS)

Use this procedure for printers that do not have an automatic duplexer installed or to print on paper that the duplexer does not support.

---

 **NOTE:** This feature is available if you install the HP print driver. It might not be available if you are using AirPrint.

---

1. Click the **File** menu, and then click the **Print** option.
2. Select the printer.
3. Click **Show Details** or **Copies & Pages**, and then click the **Manual Duplex** menu.

---

 **NOTE:** The name of the item varies for different software programs.

---

4. Click the **Manual Duplex** box, and select a binding option.
5. Click the **Print** button.
6. Go to the printer and remove any blank paper that is in Tray 1.
7. Retrieve the printed stack from the output bin and place it with the printed-side facing down in the input tray.
8. If prompted, touch the appropriate control panel button to continue.

## Print multiple pages per sheet (macOS)

When you print from a software application using the **Print** option, you can select an option to print multiple pages on a single sheet of paper. For example, you might want to do this if you are printing a very large document and want to save paper.

1. Click the **File** menu, and then click the **Print** option.
2. Select the printer.
3. Click **Show Details** or **Copies & Pages**, and then click the **Layout** menu.

---

 **NOTE:** The name of the item varies for different software programs.

---

4. From the **Pages per Sheet** drop-down list, select the number of pages that you want to print on each sheet.
5. In the **Layout Direction** area, select the order and placement of the pages on the sheet.
6. From the **Borders** menu, select the type of border to print around each page on the sheet.
7. Click the **Print** button.

## Select the paper type (macOS)

When you print from a software application using the **Print** option, you can set the paper type you are using for your print job. For example, if your default paper type is Letter, but you are using a different paper type for a print job, select that specific paper type.

1. Click the **File** menu, and then click the **Print** option.
2. Select the printer.
3. Click **Show Details** or **Copies & Pages**, and then click the **Media & Quality** menu or the **Paper/Quality** menu.

---

 **NOTE:** The name of the item varies for different software programs.

---

4. Select from the **Media & Quality** or **Paper/Quality** options.

---

 **NOTE:** This list contains the master set of options available. Some options are not available on all printers.

---

- **Media Type:** Select the option for the type of paper for the print job.
  - **Print Quality or Quality:** Select the resolution level for the print job.
  - **Edge-To-Edge Printing:** Select this option to print close to the paper edges.
5. Click the **Print** button.

## Additional print tasks

Locate information on the Web for performing common printing tasks.

Go to [www.hp.com/support/pwcolormfpE77650](http://www.hp.com/support/pwcolormfpE77650), or [www.hp.com/support/pwcolormfpE77660](http://www.hp.com/support/pwcolormfpE77660), or [www.hp.com/support/pwcolorP77940mfp](http://www.hp.com/support/pwcolorP77940mfp), or [www.hp.com/support/pwcolorP77950mfp](http://www.hp.com/support/pwcolorP77950mfp), or [www.hp.com/support/pwcolorP77960mfp](http://www.hp.com/support/pwcolorP77960mfp), or [www.hp.com/support/pwcolorP77440mfp](http://www.hp.com/support/pwcolorP77440mfp).

Instructions are available for print tasks, such as the following:

- Create and use printing shortcuts or presets
- Select the paper size, or use a custom paper size
- Select the page orientation
- Create a booklet
- Scale a document to fit a specific paper size
- Print the first or last pages of the document on different paper
- Print watermarks on a document



# Store print jobs on the printer to print later or print privately

Store print jobs in the printer memory for printing at a later time.

## Introduction

The following information provides procedures for creating and printing documents that are stored on the USB flash drive. These jobs can be printed at a later time or printed privately.

## Create a stored job (Windows)

Store jobs on the USB flash drive for private or delayed printing.

1. From the software program, select the **Print** option.
2. Select the printer from the list of printers, and then select **Properties** or **Preferences**.

---

 **NOTE:** The name of the button varies for different software programs.

In Windows 10, 8.1, and 8, these applications will have a different layout with different features from what is described below for desktop applications. To access the print feature from a Start screen app, complete the following steps:

- **Windows 10:** Select **Print**, and then select the printer.
- **Windows 8.1 or 8:** Select **Devices**, select **Print**, and then select the printer.

For the HP PCL-6 V4 driver, the HP AiO Printer Remote application downloads additional driver features when **More settings** is selected.

---

3. Click the **Job Storage** tab.
4. Select a **Job Storage Mode** option:
  - **Proof and Hold:** Print and proof one copy of a job, and then print more copies.
  - **Personal Job:** The job does not print until you request it at the printer control panel. For this job-storage mode, you can select one of the **Make Job Private/Secure** options. If you assign a personal identification number (PIN) to the job, you must provide the required PIN at the control panel. If you encrypt the job, you must provide the required password at the control panel. The print job is deleted from memory after it prints and is lost if the printer loses power.
  - **Quick Copy:** Print the requested number of copies of a job and store a copy of the job in the printer memory so you can print it again later.
  - **Stored Job:** Store a job on the printer and allow other users to print the job at any time. For this job-storage mode, you can select one of the **Make Job Private/Secure** options. If you assign a personal identification number (PIN) to the job, the person who prints the job must provide the required PIN at the control panel. If you encrypt the job, the person who prints the job must provide the required password at the control panel.
5. To use a custom user name or job name, click the **Custom** button, and then enter the user name or the job name.

Select which option to use if another stored job already has that name:


- **Use Job Name + (1-99):** Append a unique number to the end of the job name.
  - **Replace Existing File:** Overwrite the existing stored job with the new one.
6. Click the **OK** button to close the **Document Properties** dialog box. In the **Print** dialog box, click the **Print** button to print the job.

## Create a stored job (macOS)

Store jobs on the USB flash drive for private or delayed printing.

1. Click the **File** menu, and then click the **Print** option.
2. In the **Printer** menu, select the printer.
3. Click **Show Details** or **Copies & Pages**, and then click the **Job Storage** menu.


---

 **NOTE:** If the **Job Storage** menu is not showing, follow the instructions in the "Disable or enable job storage feature" section to activate the menu.

---

4. In the **Mode** drop-down list, select the type of stored job.
  - **Proof and Hold:** Print and proof one copy of a job, and then print more copies. The first copy prints immediately. Printing of the subsequent copies must be initiated from the device's front control panel. For example, if 10 copies are sent, one copy prints immediately, and the other nine copies will print when the job is retrieved. The job is deleted after all copies are printed.
  - **Personal Job:** The job does not print until someone requests it at the printer control panel. If the job has a personal identification number (PIN), provide the required PIN at the control panel. The print job is deleted from memory after it prints.
  - **Quick Copy:** Print the requested number of copies of a job and store a copy of the job in the printer memory to print it again later. The job is deleted manually or by the job retention schedule.
  - **Stored Job:** Store a job on the printer and allow other users to print the job at any time. If the job has a personal identification number (PIN), the person who prints the job must provide the required PIN at the control panel. The job is deleted manually or by the job retention schedule.
5. To use a custom user name or job name, click the **Custom** button, and then enter the user name or the job name.

---

 **NOTE:** **macOS 10.14 Mojave and later:** The print driver no longer includes the **Custom** button. Use the options below the **Mode** drop-down list to set up the saved job.


---

Select which option to use if another stored job already has that name.

- **Use Job Name + (1-99):** Append a unique number to the end of the job name.
  - **Replace Existing File:** Overwrite the existing stored job with the new one.
6. If you selected the **Stored Job** or **Personal Job** option in the **Mode** drop-down list, you can protect the job with a PIN. Type a 4-digit number in the **Use PIN to Print** field. When other people attempt to print this job, the printer prompts them to enter this PIN.
  7. Click the **Print** button to process the job.

## Print a stored job

Use the following procedure to print a job that is stored in the printer memory.


1. From the Home screen on the printer control panel, select [Print from Job Storage](#).
2. Select the name of the folder where the job is stored or select [Choose](#) to see the folder list.
3. Select the name of the job. If the job is private or encrypted, enter the PIN or select [OK](#) to bring up the keyboard to enter a password.
4. To adjust the number of copies, select the number of copies field. Use the keypad to enter the number of copies to print.
5. Select Start  or [Print](#) to print the job.

## Delete a stored job

You can delete documents that have been saved to the printer when they are no longer needed. You can also adjust the maximum number of jobs for the printer to store.

### Delete a job that is stored on the printer

Use the control panel to delete a job that is stored in the printer memory.

1. From the Home screen on the printer control panel, select the [Print from Job Storage](#) icon.
2. Select the name of the folder where the job is stored or select [Choose](#) to see the folder list.
3. Select the name of the job. If the job is private or encrypted, enter the PIN or select [OK](#) to bring up the keyboard to enter a password.
4. Select the Trash button  to delete the job.

### Change the job storage limit

When a new job is stored in the printer memory, the printer overwrites any previous jobs with the same user and job name. If a job is not already stored under the same user and job name, and the printer needs additional space, the printer might delete other stored jobs starting with the oldest.

To change the number of jobs that the printer can store, complete the following procedure:

1. From the Home screen on the printer control panel, navigate to the [Settings](#) application, and then select the [Settings](#) icon.
2. Open the following menus:
  - a. [Copy/Print](#) or [Print](#)
  - b. [Manage Stored Jobs](#)
  - c. [Temporary Job Storage Limit](#)
3. Use the keypad to enter the number of jobs that the printer stores.
4. Select [OK](#) or [Done](#) to save the setting.

## Information sent to printer for Job Accounting purposes

Printing jobs sent from drivers on the client (e.g., PC) may send personally identifiable information to HP's Printing and Imaging devices. This information may include, but is not limited to, user name and client name from which the job originated that may be used for job accounting purposes, as determined by the Administrator of the printing device. This same information may also be stored with the job on the mass storage device (e.g., disk drive) of the printing device when using the job storage feature.

# Mobile printing

Mobile and ePrint solutions enable easy printing to an HP printer from a laptop, tablet, smartphone, or other mobile device.

## Introduction

HP offers multiple mobile printing solutions to enable easy printing to an HP printer from a laptop, tablet, smartphone, or other mobile device.

To see the full list and to determine the best choice, go to [www.hp.com/go/LaserJetMobilePrinting](http://www.hp.com/go/LaserJetMobilePrinting).

## Wi-Fi, Wi-Fi Direct Print, NFC, and BLE printing

HP provides Wi-Fi Direct Print, Near Field Communication (NFC), and Bluetooth Low Energy (BLE) printing for printers with a supported HP Jetdirect 3100w BLE/NFC/Wireless Accessory. This is an optional accessory.

These features enable Wi-Fi capable (mobile) devices to make a wireless network connection directly to the printer without using a wireless router.

The printer does not need to be connected to the network for this mobile walk-up printing to work.

Use Wi-Fi Direct Print to print wirelessly from the following devices:

- iPhone, iPad, or iPod touch using Apple AirPrint
- Android mobile devices using the Android embedded print solution

For more information on wireless printing, go to [www.hp.com/go/LaserJetMobilePrinting](http://www.hp.com/go/LaserJetMobilePrinting).

NFC, BLE, and Wi-Fi Direct Print capabilities can be enabled or disabled from the printer control panel.

### Enable wireless printing



To print wirelessly from mobile devices, Wi-Fi Direct must be turned on.

1. From the Home screen on the printer control panel, select the **Settings** menu.
2. Select the following menus:
  - a. **Networking**
  - b. **Wi-Fi Direct**
  - c. **Status**
3. Select **On**, and then select **OK** to enable wireless printing.

### Change the Wi-Fi Direct name

Change the printer Wi-Fi Direct name using the HP Embedded Web Server (EWS).



**NOTE:** In environments where more than one model of the same printer is installed, it might be helpful to provide each printer a unique Wi-Fi Direct Name for easier printer identification for HP Wi-Fi Direct printing. The Wireless network names, e.g., Wireless, Wi-Fi Direct, etc. are available on the Information screen by selecting the Information icon , and then selecting the Wi-Fi Direct icon .

Complete the following procedure to change the printer Wi-Fi Direct name:

1. From the Home screen on the printer control panel, select the **Settings** icon.
2. Open the following menus:
  - a. **Networking**
  - b. **Wi-Fi Direct**
  - c. **Wi-Fi Direct Name**
3. Use the keypad to change the name in the **Wi-Fi Direct Name** text field, and then select **OK**.

## HP ePrint via email



Use HP ePrint via email to print documents by sending them as an email attachment to the printer's email address from any email enabled device.

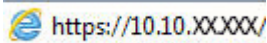
Use HP ePrint to print documents by sending them as an email attachment to the printer's email address from any email enabled device.


To use HP ePrint, the printer must meet these requirements:

- The printer must be connected to a wired or wireless network and have Internet access.
- HP Web Services must be enabled on the printer, and the printer must be registered with HP Smart.


Follow this procedure to enable HP Web Services and register with HP Smart:

1. Open the HP Embedded Web Server (EWS):
  - a. On the printer control panel, press the Information  button, and then use the arrow keys to select the Ethernet  menu. Press the **OK** button to open the menu and display the IP address or host name.
  - b. Open a web browser, and in the address line, type the IP address or host name exactly as it displays on the printer control panel. Press the **Enter** key on the computer keyboard. The EWS opens.



 **NOTE:** If the web browser displays a message indicating that accessing the website might not be safe, select the option to continue to the website. Accessing this website will not harm the computer.

2. Click the **HP Web Services** tab.
3. Select the option to enable Web Services.

 **NOTE:** Enabling Web Services might take several minutes.
4. Go to [www.hpconnected.com](http://www.hpconnected.com) to create an account and complete the setup process.

## AirPrint

Direct printing using Apple's AirPrint is supported for iOS and from Mac computers running macOS 10.7 Lion and newer.

Use AirPrint to print directly to the printer from an iPad, iPhone (3GS or later), or iPod touch (third generation or later) in the following mobile applications:

- Mail
- Photos
- Safari
- iBooks
- Select third-party applications

To use AirPrint, the printer must be connected to the same network (sub-net) as the Apple device. For more information about using AirPrint and about which HP printers are compatible with AirPrint, go to [www.hp.com/go/MobilePrinting](http://www.hp.com/go/MobilePrinting).



---

**NOTE:** Before using AirPrint with a USB connection, verify the version number. AirPrint versions 1.3 and earlier do not support USB connections.

---

## Android embedded printing

HP's built-in print solution for Android and Kindle enables mobile devices to automatically find and print to HP printers that are either on a network or within wireless range for Wi-Fi Direct printing.

The print solution is built into many versions of the operating system.



---

**NOTE:** If printing is not available on your device, go to the [Google Play > Android apps](#) and install the HP Print Service Plugin.

---

For more information on how to use Android embedded printing and which Android devices are supported, go to [www.hp.com/go/MobilePrinting](http://www.hp.com/go/MobilePrinting).



## Print from a USB flash drive

This printer features easy-access USB printing to print files without a computer.

The printer accepts standard USB flash drives in the USB port near the control panel. It supports the following types of files:

- .pdf
- .prn
- .pcl
- .ps
- .cht

## Enable the USB port for printing

The USB port is disabled by default. Before using this feature, enable the USB port.

Use one of the following methods to enable the port:



### Method one: Enable the USB port from the printer control panel


Use the printer control panel to enable the USB port for printing.

1. From the Home screen on the printer control panel, navigate to the [Settings](#) application, and then select the [Settings](#) icon.
2. Open the following menus:
  - a. [Copy/Print](#) or [Print](#)
  - b. [Enable Device USB](#)
3. Select [Enable Print from USB Drive](#).


### Method two: Enable the USB port from the HP Embedded Web Server (network-connected printers only)

Use the printer control panel to enable the USB port for printing.

1. Open the HP Embedded Web Server (EWS):
  - a. On the printer control panel, press the Information  button, and then use the arrow keys to select the Ethernet  menu. Press the [OK](#) button to open the menu and display the IP address or host name.
  - b. Open a web browser, and in the address line, type the IP address or host name exactly as it displays on the printer control panel. Press the [Enter](#) key on the computer keyboard. The EWS opens.

 <https://10.10.XX.XXX/>

---

 **NOTE:** If the web browser displays a message indicating that accessing the website might not be safe, select the option to continue to the website. Accessing this website will not harm the computer.


---

2. Select the **Copy/Print** tab for MFP models or the **Print** tab for SFP models.
3. In the left menu, select **Print from USB Drive Settings**.
4. Select **Enable Print from USB Drive**.
5. Click **Apply**.

## Print USB documents (keypad control panel)

1. Insert the USB flash drive into the easy-access USB port.

---

 **NOTE:** The port might be covered. For some printers, the cover flips open. For other printers, pull the cover straight out to remove it.

---


2. From the Home screen on the printer control panel, select [USB Drive](#).
3. Select [Choose](#), select the name of the document to print, and then select [Select](#).



---

**NOTE:** The document might be in a folder. Open folders as necessary.

---

4. To adjust the number of copies, select the field for the number of copies. Use the keypad to enter the number of copies to print.
5. Select Start  to print the document.

## Print using high-speed USB 2.0 port (wired)

Enable the high-speed USB 2.0 port for wired USB printing. The port is located in the interface ports area and is disabled by default.

Use one of the following methods to enable the high-speed USB 2.0 port. Once the port is enabled, install the product software in order to print using this port.



### Method one: Enable the high-speed USB 2.0 port from the printer control panel menus

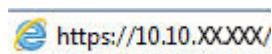
Use the control panel to enable the port.

1. From the Home screen on the printer control panel, navigate to the [Settings](#) application, and then select the [Settings](#) icon.
2. Open the following menus:
  - a. [General](#)
  - b. [Enable Device USB](#)
3. Select the [Enabled](#) option.

### Method two: Enable the high-speed USB 2.0 port from the HP Embedded Web Server (network-connected printers only)

Use the HP EWS to enable the port.

1. Open the HP Embedded Web Server (EWS):
  - a. On the printer control panel, press the Information  button, and then use the arrow keys to select the Ethernet  menu. Press the [OK](#) button to open the menu and display the IP address or host name.
  - b. Open a web browser, and in the address line, type the IP address or host name exactly as it displays on the printer control panel. Press the [Enter](#) key on the computer keyboard. The EWS opens.



 **NOTE:** If the web browser displays a message indicating that accessing the website might not be safe, select the option to continue to the website. Accessing this website will not harm the computer.

2. Select the **Security** tab.
3. On the left side of the screen, select **General Security**.
4. Scroll down to the **Hardware Ports** and select the check box to enable both of the items:
  - **Enable Device USB**
  - **Enable Host USB plug and play**
5. Click **Apply**.

---

# 5 Copy

Make copies with the printer, learn how to copy a two-sided document, and locate additional copy tasks on the web.

For video assistance, see [www.hp.com/videos/PageWide](http://www.hp.com/videos/PageWide).

The following information is correct at the time of publication. For current information, see [www.hp.com/support/pwcolormfpE77650](http://www.hp.com/support/pwcolormfpE77650), or [www.hp.com/support/pwcolormfpE77660](http://www.hp.com/support/pwcolormfpE77660), or [www.hp.com/support/pwcolorP77940mfp](http://www.hp.com/support/pwcolorP77940mfp), or [www.hp.com/support/pwcolorP77950mfp](http://www.hp.com/support/pwcolorP77950mfp), or [www.hp.com/support/pwcolorP77960mfp](http://www.hp.com/support/pwcolorP77960mfp), or [www.hp.com/support/pwcolorP77440mfp](http://www.hp.com/support/pwcolorP77440mfp).


## For more information:


HP's all-inclusive help for the printer includes the following information:

- Install and configure
- Learn and use
- Solve problems
- Download software and firmware updates
- Join support forums
- Find warranty and regulatory information

## Make a copy

Copy a document or picture from the scanner glass or automatic document feeder.










1. Place the document face-down on the scanner glass, or place it face-up in the document feeder and adjust the paper guides to fit the size of the document.
2. From the Home screen on the printer control panel, navigate to the **Copy** application, and then select the **Copy** icon.
3. To select the number of copies, touch the box next to **Copy**, use the keypad to enter the number of copies, and then touch the close keypad button .
4. Select **Optimize Text/Picture** to optimize for the type of image being copied: text, graphics, or photos. Select one of the predefined options.
5. Set options marked with a yellow triangle before using the preview feature.

 **NOTE:** After the preview scan, these options are removed from the main [Options](#) list and are summarized in the [Pre-scan Options](#) list. To change any of these options, discard the preview and start over.



Using the preview feature is optional.

6. Touch the right pane of the screen to preview the document. In the preview screen, use the buttons on the right of the screen to adjust the preview options and to rearrange, rotate, insert, or remove pages.

**Table 5-1** Buttons on the right side of the preview pane

Button	Description
	Use these buttons to toggle between single-page view and thumbnail view. More options are available in thumbnail view than in single-page view.
	
	Use these buttons to zoom in or out on the selected page. <b>NOTE:</b> Select only one page at a time to use these buttons.
	
	Use this button to rotate the page 180 degrees. <b>NOTE:</b> This button is available only in the thumbnail view.
	Use this button to delete the selected pages. <b>NOTE:</b> This button is available only in the thumbnail view.
	Use these buttons to rearrange the pages within the document. Select one or more pages and move them to the left or right. <b>NOTE:</b> These buttons are available only in the thumbnail view.
	
	Use this button to add a page to the document. The printer prompts to scan additional pages.

**Table 5-1** Buttons on the right side of the preview pane (continued)


Button	Description
	Use this button to clear the changes made in the preview and start over.
	Touch this button to collapse the preview screen and return to the Copy screen.

7. When the document is ready, touch [Copy](#) to begin copying.

## Copy on both sides (duplex)

Copy or print on both sides of the paper.










1. Place the document face-down on the scanner glass, or place it face-up in the document feeder and adjust the paper guides to fit the size of the document.
2. From the Home screen on the printer control panel, navigate to the [Copy](#) application, and then select the [Copy](#) icon.
3. In the [Options](#) pane, select [Original Side](#), and then select the option that describes the original document:
  - Use [Automatically detect](#) to detect whether the original is printed on one or both sides of the page.
  - Use [1-sided](#) for originals that are printed on one side of the page.
  - Use [2-sided \(book-style\)](#) for originals that flip on the right/left edge of the page, like books. If the image is portrait, the output flips on the long edge of the page. If the image is landscape, the output flips on the short edge of the page.
  - Use [2-sided \(flip-style\)](#) for originals that flip on the top/bottom edge of the page, like calendars. If the image is portrait, the output flips on the short edge of the page. If the image is landscape, the output flips on the long edge of the page.
4. Select [Output Sides](#), and then select one of these options:
  - [Match original](#): The output will match the format of the original. For example, if the original is 1-sided, the output will be 1-sided. However, if the administrator has restricted 1-sided printing and the original is 1-sided, the output will be 2-sided book-style.
  - [1-sided](#): The output will be 1-sided. However, if the administrator has restricted 1-sided printing, the output will be 2-sided book-style.
  - [2-sided \(book-style\)](#): The output will flip on the right/left edge of the page, like a book. If the image is portrait, the output flips on the long edge of the page. If the image is landscape, the output flips on the short edge of the page.
  - [2-sided \(flip-style\)](#): The output will flip on the top/bottom edge of the page, like a calendar. If the image is portrait, the output flips on the short edge of the page. If the image is landscape, the output flips on the long edge of the page.
5. Set options marked with a yellow triangle before using the preview feature.

 **NOTE:** After the preview scan, these options are removed from the main [Options](#) list and are summarized in the [Pre-scan Options](#) list. To change any of these options, discard the preview and start over.

Using the preview feature is optional.



6. Touch the right pane of the screen to preview the document. In the preview screen, use the buttons on the right of the screen to adjust the preview options and to rearrange, rotate, insert, or remove pages.

**Table 5-2** Buttons on the right side of the preview pane

Button	Description
	Use these buttons to toggle between single-page view and thumbnail view. More options are available in thumbnail view than in single-page view.
	
	Use these buttons to zoom in or out on the selected page. <b>NOTE:</b> Select only one page at a time to use these buttons.
	
	Use this button to rotate the page 180 degrees. <b>NOTE:</b> This button is available only in the thumbnail view.
	Use this button to delete the selected pages. <b>NOTE:</b> This button is available only in the thumbnail view.
	Use these buttons to rearrange the pages within the document. Select one or more pages and move them to the left or right. <b>NOTE:</b> These buttons are available only in the thumbnail view.
	
	Use this button to add a page to the document. The printer prompts to scan additional pages.



**Table 5-2** Buttons on the right side of the preview pane (continued)

Button	Description
	Use this button to clear the changes made in the preview and start over.
	Touch this button to collapse the preview screen and return to the Copy screen.

7. When the document is ready, touch [Start](#) to begin copying.

## Additional copy tasks

Locate information on the Web for performing common copy tasks.

Go to [www.hp.com/support/pwcolormfpE77650](http://www.hp.com/support/pwcolormfpE77650), or [www.hp.com/support/pwcolormfpE77660](http://www.hp.com/support/pwcolormfpE77660), or [www.hp.com/support/pwcolorP77940mfp](http://www.hp.com/support/pwcolorP77940mfp), or [www.hp.com/support/pwcolorP77950mfp](http://www.hp.com/support/pwcolorP77950mfp), or [www.hp.com/support/pwcolorP77960mfp](http://www.hp.com/support/pwcolorP77960mfp), or [www.hp.com/support/pwcolorP77440mfp](http://www.hp.com/support/pwcolorP77440mfp).

Instructions are available for copy tasks, such as the following:

- Copy or scan pages from books or other bound documents
- Copy mixed-size documents
- Copy or scan both sides of an identification card
- Copy or scan a document into a booklet format



---

## 6 Scan

Scan using the software, or scan directly to email, a USB flash drive, a network folder, or another destination.

For video assistance, see [www.hp.com/videos/PageWide](http://www.hp.com/videos/PageWide).

The following information is correct at the time of publication. For current information, see [www.hp.com/support/pwcolormfpE77650](http://www.hp.com/support/pwcolormfpE77650), or [www.hp.com/support/pwcolormfpE77660](http://www.hp.com/support/pwcolormfpE77660), or [www.hp.com/support/pwcolorP77940mfp](http://www.hp.com/support/pwcolorP77940mfp), or [www.hp.com/support/pwcolorP77950mfp](http://www.hp.com/support/pwcolorP77950mfp), or [www.hp.com/support/pwcolorP77960mfp](http://www.hp.com/support/pwcolorP77960mfp), or [www.hp.com/support/pwcolorP77440mfp](http://www.hp.com/support/pwcolorP77440mfp).

### For more information:

HP's all-inclusive help for the printer includes the following information:

- Install and configure
- Learn and use
- Solve problems
- Download software and firmware updates
- Join support forums
- Find warranty and regulatory information

# Set up Scan to Email

The printer has a feature that enables it to scan a document and send it to one or more email addresses.

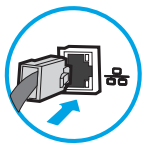
## Introduction

To use this scan feature, the printer must be connected to a network; however, the feature is not available until it has been configured. There are two methods for configuring Scan to Email, the **Scan to Email Setup Wizard** for basic and **Email Setup** for advanced.

Use the following information to set up the Scan to Email feature.

## Before you begin


To set up the Scan to Email feature, the printer must have an active network connection.



Administrators need the following information before beginning the configuration process.

- Administrative access to the printer
- DNS suffix (e.g., companyname.com)
- SMTP server (e.g., smtp.mycompany.com)


---

 **NOTE:** If you do not know the SMTP server name, SMTP port number, or authentication information, contact the email/Internet service provider or system administrator for the information. SMTP server names and port names are typically found by doing an Internet search. For example, use terms like "Gmail smtp server name" or "Yahoo smtp server name" to search.

---

- SMTP server authentication requirements for outgoing email messages, including the user name and password used for authentication, if applicable.



---

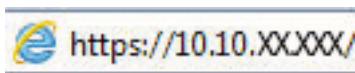
 **NOTE:** Consult your email service provider's documentation for information on digital sending limits for your email account. Some providers may temporarily lock your account if you exceed your sending limit.

---

## Step one: Access the HP Embedded Web Server (EWS)

Open the EWS to start the setup process.

1. From the Home screen on the printer control panel, touch the Information icon , and then touch the Ethernet icon  to display the IP address or host name.
2. Open a web browser, and in the address line, type the IP address or host name exactly as it displays on the printer control panel. Press the **Enter** key on the computer keyboard. The EWS opens.



---

 **NOTE:** If the web browser displays a message indicating that accessing the website might not be safe, select the option to continue to the website. Accessing this website will not harm the computer.


---

The screenshot shows the HP EWS interface for an HP Office LaserJet Pro 400 printer. The top navigation bar includes tabs for Information, General, Copy/Print, Scan/Digital Send, Fax, Supplies, Troubleshooting, Security, HP Web Services, and Networking. The left sidebar lists various device status pages. The main content area is titled 'Device Status' and shows 'Sleep mode on'. Under 'Supplies', there are four color cartridges: Yellow (80%), Magenta (80%), Cyan (80%), and Black (70%). Below the cartridges, it lists 'Toner Collection Unit W9058MC: OK', 'Stapler 2 Y1G13A: OK', 'Stapler 3 Y1G13A: OK', and 'Stapler 1 Y1G14A: OK'. A 'Supplies Details' button is present. The 'Media' section contains a table with the following data:


Input/Output	Status	Capacity	Size	Type
Tray 1	Depleted	100 sheets	Legal (8.5x14)	Plain
Tray 2	30 - 70%	520 sheets	Letter (8.5x11)	Plain
Tray 3	30 - 70%	520 sheets	Letter (8.5x11)	Plain

## Step two: Configure the Network Identification settings

Configure advanced setting for network identification.

 **NOTE:** Configuring email setup on the **Networking** tab is an advanced process and might require the assistance of a system administrator.

- Using the EWS top navigation tabs, click **Networking**.

 **NOTE:** For configuring the network settings for use with Office 365, [Step five: Set up Send to Email to use Office 365 Outlook \(optional\) on page 121](#)

- In the left navigation pane, click **TCP/IP Settings**. A username/password might be required to access the **Network Identification** tab of the EWS.
- On the **TCP/IP Settings** dialog, click the **Network Identification** tab.

4. If DNS is required on the network, in the **TCP/IP Domain Suffix** area, verify that the DNS suffix for the email client being used is listed. DNS suffixes have this format: *companyname.com*, *gmail.com*, etc.

The screenshot shows the HP ePrint Web Services interface. The top navigation bar includes tabs for Information, General, Copy/Print, Scan/Digital Send, Fax, Troubleshooting, Security, HP Web Services, and Networking. The left sidebar lists various configuration categories like Configuration, Wireless Direct, and Security. The main content area is titled 'TCP/IP Settings' and has several sub-tabs: Summary, Network Identification (selected), TCP/IP(v4), TCP/IP(v6), Config Precedence, and Advanced. Under 'Network Identification', there is a checkbox for 'Enable DDNS'. The 'TCP/IP Domain Suffix' section is highlighted with a blue box and contains a 'DNS Suffixes' list and an 'Add' button. Below this are sections for 'WINS (IPv4 only)' with 'Primary' and 'Secondary' input fields, and 'Bonjour' with a 'Bonjour Service Name' input field. 'Apply' and 'Cancel' buttons are at the bottom right.

 **NOTE:** If the Domain Name suffix is not set up, use the IP address.

5. Click **Apply**.
6. Click **OK**.

## Step three: Configure the Send to Email feature


The two options for configuring Send to Email are the **Email Setup Wizard** for basic configuration and **Email Setup** for advanced configuration. Use the following options to configure the Send to Email feature:

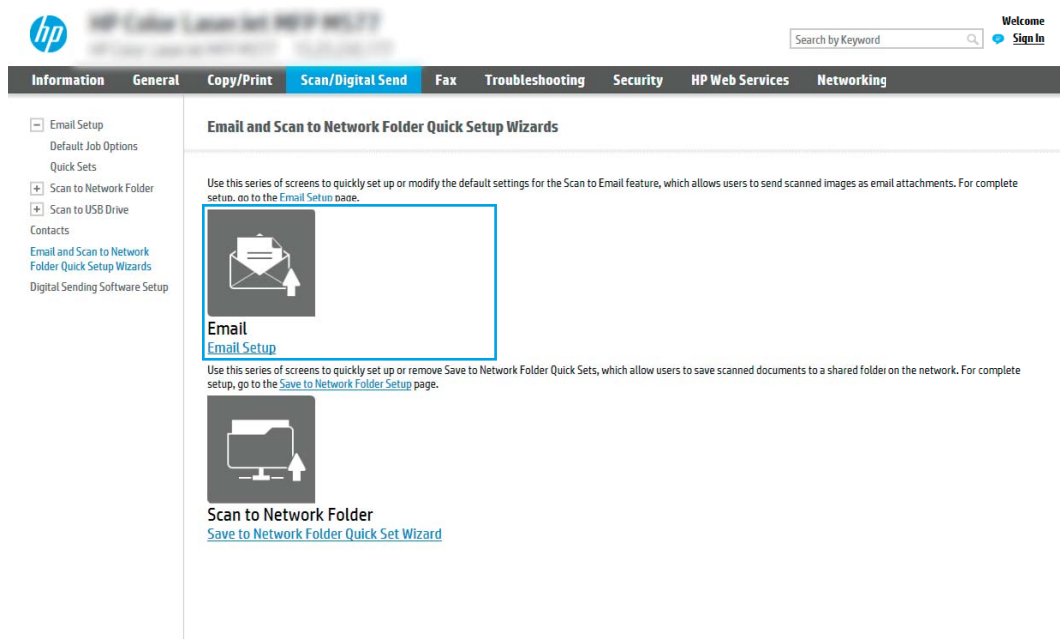
### Method one: Basic configuration using the Email Setup Wizard

Perform basic configuration using the Email Setup Wizard.

This option opens the **Email Setup Wizard** in the HP Embedded Web Server (EWS) for basic configuration.

1. Using the EWS top navigation tabs, click **Scan/Digital Send**.
2. In the left navigation pane, click **Email and Scan to Network Folder Quick Setup Wizards**.
3. In the **Email and Scan to Network Folder Quick Setup Wizards** dialog, click the **Email Setup** link.


 **NOTE:** If a message displays indicating that the Scan to Email feature is disabled, click **Continue** to proceed with the configuration and enable the Scan to Email feature upon completion.




4. On the **Configure Email Servers (SMTP)** dialog, select one of the following options and complete the steps:
  - Option one: Use a server already in use by Email.  
Select **Use a server already in use by Email**, and then click **Next**.
  - Option two: Search the network for the outgoing email server.  
This option finds outgoing SMTP servers inside your firewall only.
    1. Select **Search network for outgoing email server**, and then click **Next**.
    2. Select the appropriate server from the **Configure Email Server (SMTP)** list, and then click **Next**.
    3. Select the option that describes the server's authentication requirements:

- Server does not require authentication: Select **Server does not require authentication**, and then click **Next**.  
-OR-
- Server requires authentication: From the drop-down list, select an authentication option:
  - Select **Use credentials of user to connect after Sign In at the control panel**, and then click **Next**.  
-OR-
  - Select **Always use these credentials**, enter the **User name** and **Password**, and then click **Next**.
- Option three: Add the SMTP server.
  1. Select **Add SMTP server**.
  2. Enter the **Server Name** and **Port Number**, and then click **Next**.

---

 **NOTE:** In most cases, the default port number does not need to be changed.

 **NOTE:** If you are using a hosted SMTP service such as Gmail, verify the SMTP address, port number, and SSL settings from the service provider's website or other sources. Typically, for Gmail, the SMTP address is smtp.gmail.com, port number 465, and the SSL should be enabled.

Please refer to online sources to confirm these server settings are current and valid at the time of configuration.

---

3. Select the appropriate server authentication option:
  - Server does not require authentication: Select **Server does not require authentication**, and then click **Next**.  
-OR-
  - Server requires authentication: Select an option from the **Server requires authentication** drop-down list:
    - Select **Use credentials of user to connect after Sign In at the control panel**, and then click **Next**.  
-OR-
    - Select **Always use these credentials**, enter the **User name** and **Password**, and then click **Next**.
5. On the **Configure Email Settings** dialog, enter the following information about the sender's email address, and then click **Next**.

---

 **NOTE:** When setting up the **From**, **Subject**, and **Message** fields, if the **User editable** check box is unchecked, users will not be able to edit those fields at the printer control panel when sending an email.

---



**Table 6-1** Send email settings

Option	Description
<b>From</b> (Required)	Select one of the following options from the <b>From</b> drop-down list: <ul style="list-style-type: none"><li>• <b>User's address (sign-in required)</b></li><li>• <b>Default From:</b> Enter a default email address and display name in the <b>Default From Email Address</b> and <b>Default Display Name</b> fields</li></ul> <p><b>NOTE:</b> Create an email account for the printer, and use this address for the default email address.</p> <p><b>NOTE:</b> Configure the email feature so that users must sign in before using it. This prevents users from sending an email from an address that is not their own.</p>
<b>Subject</b> (Optional)	Provide a default subject line for the email messages.
<b>Message</b> (Optional)	Create a custom message.  To use this message for all emails sent from the printer, clear the <b>User editable</b> check box for <b>Message</b> .

6. In the **Configure File Scan Settings** area, set the default scanning preferences, and then click **Next**.

**Table 6-2** Scan settings

Option	Description
<b>File Type</b>	Select the default file type for the scanned document: <ul style="list-style-type: none"><li>• PDF</li><li>• JPEG</li><li>• TIFF</li><li>• MTIFF</li><li>• XPS</li><li>• PDF/A</li></ul> <p>HP LaserJet Enterprise Flow MFP printers or MFP printers that are connected to a digital send software (DSS) server also support the following OCR file types:</p> <ul style="list-style-type: none"><li>• Text (OCR)</li><li>• Unicode Text (OCR)</li><li>• RTF (OCR)</li><li>• Searchable PDF (OCR)</li><li>• Searchable PDF/A (OCR)</li><li>• HTML (OCR)</li><li>• CSV (OCR)</li></ul>

Table 6-2 Scan settings (continued)

Option	Description
Color/Black	Select the default color setting for the scanned document: <ul style="list-style-type: none"><li>• Color</li><li>• Black</li><li>• Black/Gray</li><li>• Automatically detect</li></ul>
Quality and File Size	Select the default output quality for the scanned document: <ul style="list-style-type: none"><li>• Low (small file)</li><li>• Medium</li><li>• High (large file)</li></ul>
Resolution	Select the default scan resolution for the scanned document: <ul style="list-style-type: none"><li>• 75 dpi</li><li>• 150 dpi</li><li>• 200 dpi</li><li>• 300 dpi</li><li>• 400 dpi</li><li>• 600 dpi</li></ul>

7. Review the **Summary** area, and then click **Finish** to complete the setup.

## Method two: Advanced configuration using the Email Setup

Use the following steps for advanced configuration using the **E-mail Setup** dialog in the EWS.

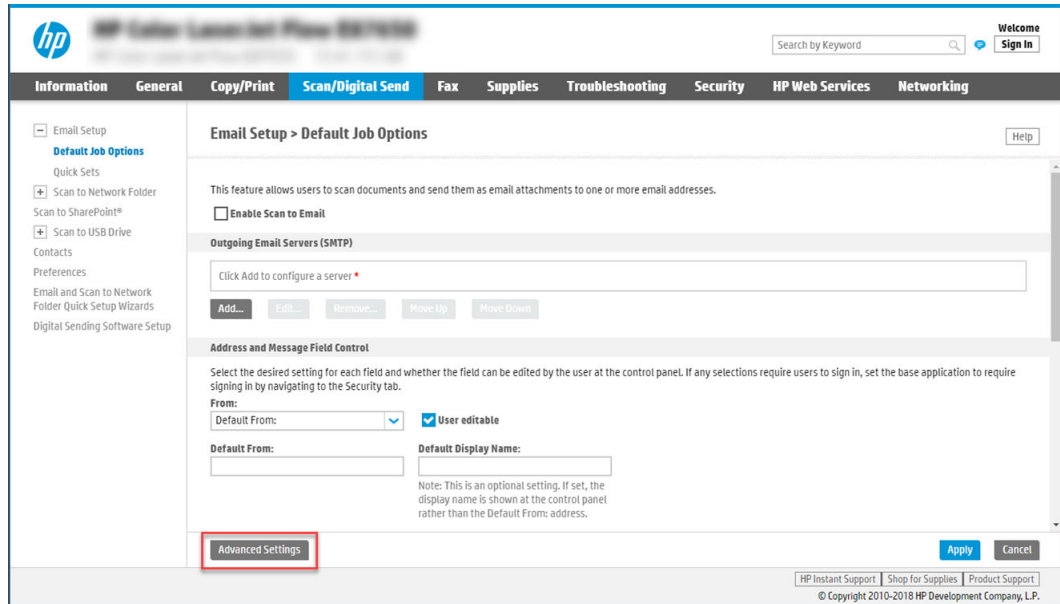
1. Using the EWS top navigation tabs, click **Scan/Digital Send**, expand the **Email Setup** menu in the left navigation pane, and then click **Default Job Options**.

The **Default Job Options** page displays the **Basic Settings** for Scan to Email setup. To access additional settings, click the **Advanced Settings** button at the bottom of the page. To switch back to basic settings, click the **Basic Settings** button.

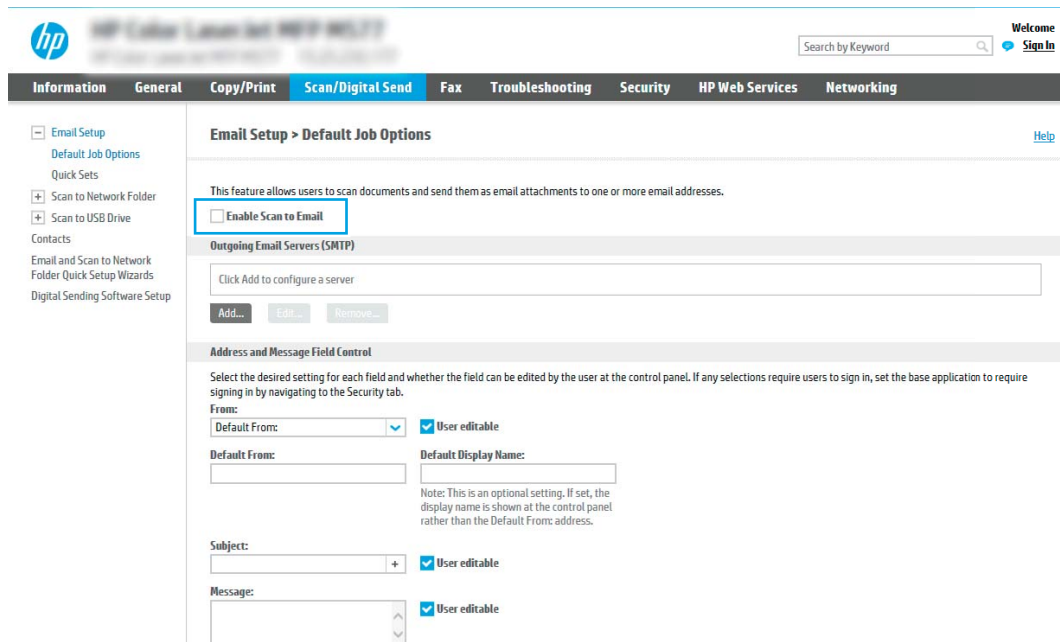


**NOTE:** This procedure covers the steps for **Basic Settings** first and then the steps for **Advanced Settings**.

Figure 6-1 Location of Advanced Settings button




2. On the **Default Job Options** page, select the **Enable Scan to Email** check box. If this check box is not selected, the feature is unavailable at the printer control panel.



3. In the **Outgoing Email Servers (SMTP)** area, complete the steps for one of the following options:
  - Select one of the displayed servers.
  - Click **Add** to start the SMTP wizard.
    1. In the SMTP wizard, select one of the following options:

- **Option one: I know my SMTP server address or host name:** Enter the address of an SMTP server, and then click **Next**
- **Option two:** If you do not know the address of the SMTP server, select **Search network for outgoing email server**, and then click **Next**. Select the server, and then click **Next**.

---

 **NOTE:** If an SMTP server was already created for another printer function, the **Use a server already in use by another function** option displays. Select this option, and then configure it to be used for the email function.


---

2. On the **Set the basic information necessary to connect to the server** dialog, set the options to use, and then click **Next**.
  - Some servers have problems sending or receiving emails that are larger than 5 megabytes (MB). These problems can be prevented by entering a number in **Split emails if larger than (MB)**.
  - In most cases, the default port number does not need to be changed. However, when using the Enable SMTP SSL Protocol option, port 587 must be used.
  - If you are using Google™ Gmail for email service, select the **Enable SMTP SSL Protocol** check box. Typically, for gmail, the SMTP address is smtp.gmail.com, port number 465, and the SSL should be enabled. Refer to online sources to confirm these server settings are current and valid at the time of configuration.

3. On the **Server Authentication Requirements** dialog, select the option that describes the server's authentication requirements:

- **Server does not require authentication**, and then click **Next**.
- **Server requires authentication**
  - From the drop-down box, select **Use credentials of user to connect after Sign In at the control panel**, and then click **Next**.
  - From the drop-down box, select **Always use these credentials**, enter the **Username** and **Password**, and then click **Next**.

---

 **NOTE:** If using a signed-in user's credentials, set email to require sign in by the user on the printer control panel. Deny device guest access to email by clearing the check box for email in the **Device Guest** column in the **Sign in and Permission Policies** area on the **Access Control** dialog of the **Security** tab. The icon in the check box changes from a check mark to a lock.

---

4. On the **Server Usage** dialog, choose the printer functions that will send email through this SMTP server, and then click the **Next** button.

If the server requires authentication, a user name and password for sending automatic alerts and reports from the printer will be required.

5. On the **Summary and Test** dialog, enter a valid email address in the **Send test email to:** field, and then click **Test**.
6. Verify that all of the settings are correct, and then click **Finish** to complete the outgoing email server set up.

4. In the **Address and Message Field Control** area, enter a **From:** setting and any of the other optional settings.

**Table 6-3 Address and Message Field Control (Basic Settings)**

Feature	Description
User editable	<p>To use the <b>Default From</b> address and <b>Default Display Name</b> for all emails sent from this printer (unless a user is signed in), clear the <b>User editable</b> check box.</p> <p>When setting up the address fields, if the <b>User editable</b> check box is cleared, users will not be able to edit those fields at the printer control panel when sending an email. For send-to-me functionality, clear the <b>User editable</b> check boxes for all of the address fields, including the <b>From:</b>, <b>To:</b>, <b>CC:</b>, and <b>BCC:</b> fields, and then set that user's send email <b>From:</b> their own email address and <b>To:</b> their own email address.</p>
Default From: and Default Display Name:	<p>Provide an email address and name to use for the <b>From:</b> address for the email message.</p> <p><b>NOTE:</b> Create an email account for the printer, and use this address for the default email address.</p> <p><b>NOTE:</b> Configure the email feature so that users must sign in before using it. This prevents users from sending an email from an address that is not their own.</p>
Subject:	Provide a default subject line for the email messages.
Message:	Create a custom message. To use this message for all emails sent from the printer, clear or do not select the <b>User editable</b> check box for <b>Message:</b> .

**Table 6-4 Address and Message Field Control (Advanced Settings - optional)**

Feature	Description
Address Field Restrictions	<p>Specify whether users must select an email address from an address book or whether users are allowed to enter in an email address manually.</p> <p><b>CAUTION:</b> If <b>Users must select from address book</b> is selected, and any of the address fields are also set as <b>User editable</b>, changes to those editable fields also change the corresponding values in the address book.</p> <p>To prevent users from changing contacts in the Address Book at the printer control panel, go to the <b>Access Control</b> page on the <b>Security</b> tab, and deny <b>Device Guest</b> access to address book modifications.</p>
Allow invalid email address formats	Select to allow an invalid email address format.
To:	Provide a To (recipient) email address for emails.
CC:	Provide a CC email address for emails.
BCC:	Provide a BCC email address for emails.

- In the **File Settings** area, set the default file settings preferences.

**Table 6-5 File Settings (Basic Settings)**

Feature	Description
File Name	<p>Default file name for the file to be saved.</p> <p>Select the <b>User editable</b> check box to make this setting editable at the printer control panel.</p>
File Type	<p>Select the file format for the saved file.</p> <p>Select the <b>User editable</b> check box to make this setting editable at the printer control panel.</p>

**Table 6-5** File Settings (Basic Settings) (continued)

Feature	Description
Resolution	Set the resolution for the file. Higher resolution images have more dots per inch (dpi), so they show more detail. Lower resolution images have fewer dots per inch and show less detail, but the file size is smaller.
Quality and File Size	Select the quality for the file. Higher-quality images require a larger file size than lower-quality images, and they take more time to send.
Color/Black	Specify whether copies are to be printed in color, black and gray, or black only.

**Table 6-6** File settings (Advanced Settings - optional)

Feature	Description
File Name Prefix	Set the default file name prefix used for files saved to a network folder.
File Name Suffix	Set the default file name suffix used for files saved to a network folder.  Duplicate filename suffix default [filename]_YYYYMMDDT
File Name Preview	Enter a file name, and then click the <b>Update Preview</b> button.
File Numbering Format	Select a file name format for when the job is divided into multiple files.
Add numbering when job has just one file (ex. _1-1)	Select this setting to add numbering to a file name when the job is only one file instead of multiple files.
High Compression (smaller file)	Select this setting to compress the scanned file, which reduces the file size. However, the scanning process for a High compression file might take longer than for a Normal compression file.
PDF encryption	If the file type is PDF, then this option encrypts the output PDF file. A password must be specified as part of the encryption. The same password must be used to open the file. The user will be prompted to enter a password prior to scanning their job if one has not been set prior to pressing start.
Suppress blank pages	If the <b>Suppress blank pages</b> option is enabled, blank pages will be ignored.
Create Multiple Files	Select this setting to scan pages into separate files based on a predetermined maximum number of pages per file.

6. Click the **Advanced Settings** button to display the following settings:
  - **Signing and Encryption**
  - **Notification** (job notification)
  - **Scan Settings**
7. In the **Signing and Encryption** area, set the signing and encryption preferences.

**Table 6-7** Signing and Encryption settings

Feature	Description
Signing	Select whether to sign the email with a security certificate.  Select the <b>User editable</b> check box to make this setting editable at the printer control panel.
Hashing Algorithm	Select the algorithm to use for signing the certificate.

**Table 6-7** Signing and Encryption settings (continued)

Feature	Description
Encryption	Select whether to encrypt the email. Select the <b>User editable</b> check box to make this setting editable at the printer control panel.
Encryption Algorithm	Select the algorithm to use for encrypting the email.
Attribute for Recipient Public Key	Enter which attribute to use to retrieve the recipient's public key certificate from LDAP.
Use the recipient public key certificate to verify the recipient	Select this setting to use the recipient's public key certificate to verify the recipient.

8. In the **Notification** area, select when users will receive notifications about sent emails. The default setting is using the signed in user's email address. If the recipient email address is blank, no notification is sent.
9. In the **Scan Settings** area, set the default scanning preferences.

**Table 6-8** Scan Settings

Feature	Description
Original Size	Select the page size of the original document.
Original Sides	Select whether the original document is single-sided or double-sided.
Optimize Text/Picture	Select to optimize the output of a particular type of content.
Content Orientation	Select the way the content of the original document is placed on the page: <b>Portrait</b> or <b>Landscape</b> .
Background Cleanup	Select a value to remove faint images from the background or to remove a light background color.
Darkness	Select a value to adjust the darkness of the file.
Contrast	Select a value to adjust the contrast of the file.
Sharpness	Select a value to adjust the sharpness of the file.
Image Preview	Select whether to require or make optional a displayed preview of the job or to disable a preview.
Cropping Options	Select whether or not to allow a job to be cropped and the type of cropping option.
Erase Edges	Select this setting to specify the width of edge margins to be erased, in either inches or millimeters, for the front side and back side of a job.

10. Review the selected options to verify that they are accurate, and then click **Apply** to complete the setup.

## Step four: Configure the Quick Sets (optional)

Quick Sets are optional short-cut jobs that can be accessed on the main Home screen or within the Quick Sets application at the printer. Use the following procedure to configure the Quick Sets.

1. In the **Email Setup** area of the left navigation pane, click **Quick Sets**.
2. Select one of the following options:
  - Select an existing Quick Set under Quick Sets Application in the table.
  - OR-
  - Click **Add** to start the Quick Set Wizard.

3. If you selected **Add**, the **Quick Sets Setup** page opens. Complete the following information:
  - **Quick Set Name:** Enter a title for the new Quick Set.
  - **Quick Set Description:** Enter a description of the Quick Set.
  - **Quick Set Start Option:** To set how the Quick Set starts, click either **Enter application, then user presses Start** or **Start instantly when selected from the Home Screen**.
4. Define the following settings for the Quick Set: Address and Message Field Control, Signing and Encryption, Notification, Scan Settings, File Settings.
5. Click **Finish** to save the Quick Set.



## Step five: Set up Send to Email to use Office 365 Outlook (optional)

Enable the printer to send an email with an Office 365 Outlook account from the control panel.

### Introduction

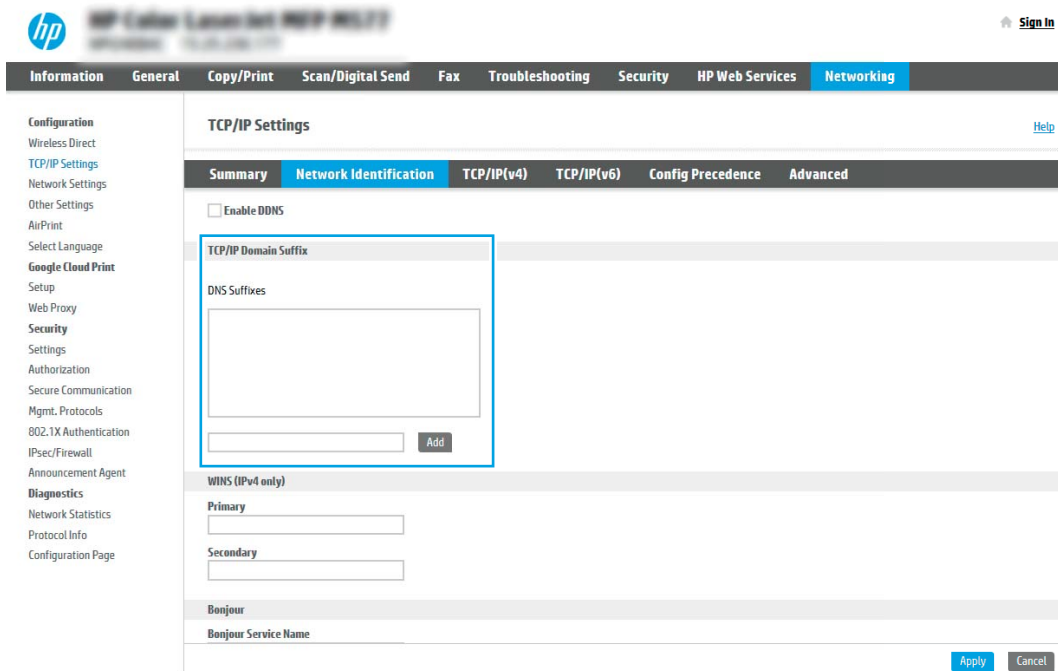
Microsoft Office 365 Outlook is a cloud-based email system provided by Microsoft which uses Microsoft's Simple Mail Transfer Protocol (SMTP) server to send or receive emails. Complete the following to enable the printer to send an email with an Office 365 Outlook account from the control panel.

 **NOTE:** You must have an email address account with Office 365 Outlook to configure the settings in the EWS.

### Configure the outgoing email server (SMTP) to send an email from an Office 365 Outlook account

Configure the outgoing email server using the following procedure.

1. Using the EWS top navigation tabs, click **Networking**.
2. In the left navigation pane, click **TCP/IP Settings**.
3. In the **TCP/IP Settings** area, click the **Network Identification** tab.
4. If DNS is required on the network, in the **TCP/IP Domain Suffix** area, verify that the DNS suffix for the email client being used is listed. DNS suffixes have this format: *companyname.com*, *Gmail.com*, etc.



The screenshot shows the HP EWS interface for configuring network settings. The top navigation bar includes tabs for Information, General, Copy/Print, Scan/Digital Send, Fax, Troubleshooting, Security, HP Web Services, and Networking. The left sidebar lists various configuration options, with TCP/IP Settings selected. The main content area is titled 'TCP/IP Settings' and has a sub-tab 'Network Identification' selected. Under this tab, there is a checkbox for 'Enable DDNS' which is unchecked. Below it is the 'TCP/IP Domain Suffix' section, which contains a 'DNS Suffixes' list and an 'Add' button. The 'WINS (IPv4 only)' section has 'Primary' and 'Secondary' input fields. The 'Bonjour' section has a 'Bonjour Service Name' input field. 'Apply' and 'Cancel' buttons are at the bottom right.

 **NOTE:** If the Domain Name suffix is not set up, use the IP address.

5. Click **Apply**.
6. Click the **Scan/Digital Send** tab.
7. On the left navigation pane, click **Email Setup**.

- On the Email Setup page, select the **Enable Scan to Email** check box. If this check box is not available, the feature is unavailable at the printer control panel.

The screenshot shows the HP Email Setup interface. The top navigation bar includes 'Information', 'General', 'Copy/Print', 'Scan/Digital Send', 'Fax', 'Troubleshooting', 'Security', 'HP Web Services', and 'Networking'. The 'Scan/Digital Send' tab is active. On the left, a sidebar lists 'Email Setup' with sub-items: 'Default Job Options', 'Quick Sets', 'Scan to Network Folder', and 'Scan to USB Drive'. The main content area is titled 'Email Setup > Default Job Options'. It features a description: 'This feature allows users to scan documents and send them as email attachments to one or more email addresses.' Below this is a checkbox labeled 'Enable Scan to Email', which is checked. Further down, there is a section for 'Outgoing Email Servers (SMTP)' with a text input field and 'Add...', 'Edit...', and 'Remove...' buttons. Below that is the 'Address and Message Field Control' section, which includes settings for 'From:' (Default From, Default Display Name), 'Subject:', and 'Message:', each with a 'User editable' checkbox.

- In the **Outgoing Email Servers (SMTP)** area, click **Add** to start the SMTP wizard.
- In the **I know my SMTP server address or host name** field, type `smtp.onoffice.com`, and then click **Next**.
- On the **Set the basic information necessary to connect to the server** dialog, in the **Port Number** field, type 587.



**NOTE:** Some servers have problems sending or receiving emails that are larger than 5 megabytes (MB). These problems can be prevented by entering a number in **Split emails if larger than (MB)**.

- Select the **Enable SMTP SSL Protocol** check box, and then click **Next**.
- On the **Server Authentication Requirements** dialog, complete the following information:
  - Select **Server requires authentication**.
  - From the drop-down list, select **Always use these credentials**.
  - In the **Username** field, type the Office 365 Outlook email address.
  - In the **Password** field, type the Office 365 Outlook account password, and then click **Next**.
- On the **Server Usage** dialog, choose the printer functions that will send email through this SMTP server, and then click the **Next** button.
- On the **Summary and Test** dialog, enter a valid email address in the **Send a test email to:** field, and then click **Test**.
- Verify that all of the settings are correct, and then click **Finish** to complete the outgoing email server setup.

For more information, go to [Microsoft's Support page](#).

# Set up Scan to Network Folder

Set up the Scan to Folder feature to scan documents directly to network folder.

## Introduction

This section explains how to enable and configure the Scan to Network Folder function. The printer has a feature that enables it to scan a document and save it to a network folder. To use this scan feature, the printer must be connected to a network; however, the feature is not available until it has been configured. There are two methods for configuring Scan to Network Folder, the **Save to Network Folder Setup Wizard** for basic setup and **Save to Network Folder Setup** for advanced setup.

## Before you begin

Have the following items available before you set up the Scan to Network feature.

---

 **NOTE:** To set up the Scan to Network Folder feature, the printer must have an active network connection.

---

Administrators need the following items before beginning the configuration process.

- Administrative access to the printer.
- The fully-qualified domain name (FQDN) (e.g., \\servername.us.companyname.net\scans) of the destination folder OR the IP address of the server (e.g., \\16.88.20.20\scans).



---

 **NOTE:** The use of the term "server" in this context refers to the computer where the shared folder resides.

---

## Step one: Access the HP Embedded Web Server (EWS)

Open the EWS to start the setup process.

1. From the Home screen on the printer control panel, touch the Information icon , and then touch the Ethernet icon  to display the IP address or host name.
2. Open a web browser, and in the address line, type the IP address or host name exactly as it displays on the printer control panel. Press the **Enter** key on the computer keyboard. The EWS opens.



---

 **NOTE:** If the web browser displays a message indicating that accessing the website might not be safe, select the option to continue to the website. Accessing this website will not harm the computer.

---

HP Color LaserJet Flow M7560 User: Administrator [Sign Out](#)

Search by Keyword

**Information** | General | Copy/Print | Scan/Digital Send | Fax | Supplies | Troubleshooting | Security | HP Web Services | Networking

**Device Status**

Job Log  
Configuration Page  
Supplies Status Page  
Event Log Page  
Usage Page  
Device Information  
Control Panel Snapshot  
Remote Control-Panel  
Print  
Printable Reports and Pages  
Open Source Licenses

**Device Status**

**Sleep mode on**

**Supplies**

**Yellow Cartridge** Order W9052MC 80%\*

**Magenta Cartridge** Order W9053MC 80%\*

**Cyan Cartridge** Order W9051MC 80%\*

**Black Cartridge** Order W9050MC 70%\*

Toner Collection Unit W9058MC: **OK**  
Stapler 2 Y1G13A: **OK**  
Stapler 3 Y1G13A: **OK**  
Stapler 1 Y1G14A: **OK**

\* Estimated levels. Actual levels may vary.

[Supplies Details](#)

**Media**

Input/Output	Status	Capacity	Size	Type
Tray 1	Depleted	100 sheets	Legal (8.5x14)	Plain
Tray 2	30 - 70%	520 sheets	Letter (8.5x11)	Plain
Tray 3	30 - 70%	520 sheets	Letter (8.5x11)	Plain

HP Instant Support | Shop for Supplies | Product Support  
© Copyright 2010-2018 HP Development Company, L.P.

## Step two: Set up Scan to Network Folder

Set up Scan to Network Folder using one of the following methods.

### Method one: Use the Scan to Network Folder Wizard

Use this option for basic configuration of the Save to Network Folder feature using the Scan to Network Folder wizard.

---


 **NOTE:** Before you begin: To display the printer's IP address or host name, touch the Information icon , and then touch the Network icon  on the printer's control panel.

---

1. Using the EWS top navigation tabs, click **Scan/Digital Send** tab. The **Email and Scan to Network Folder Quick Setup Wizards** dialog opens.
2. In the left navigation pane, click **Email and Scan to Network Folder Quick Setup Wizards**.
3. Click the **Save to Network Folder Quick Set Wizard** link.
4. On the **Add or Remove a Save to Network Folder Quick Set** dialog, click **Add**.

---

 **NOTE:** Quick Sets are shortcut jobs that can be accessed on the printer Home screen or within the Quick Sets application.


 **NOTE:** The Save to Network Folder feature can be minimally configured without creating a quick set. However, without the Quick Set, users must enter the destination folder information at the control panel for each scan job. A quick set is required to include Save to Network Folder metadata.

---

5. On the **Add Folder Quick Set** dialog, complete the following information:

- a. In the **Quick Set Title** field, type a title.

---

 **NOTE:** Name the Quick Set something that users can understand quickly (e.g., "Scan and save to a folder").

---

- b. In the **Quick Set Description** field, type a description explaining what the Quick Set will save.
- c. Click **Next**.

6. On the **Configure Destination Folder** dialog, complete the following information:


- a. In the **UNC Folder Path** field, type a folder path where the scan will go.

The folder path can either be the fully-qualified domain name (FQDN) or the IP address of the server. Be sure that the folder path (e.g., `\scans`) follows the FQDN or IP address.

FQDN example: `\\servername.us.companyname.net\scans`

IP address example: `\\16.88.20.20\scans`

---

 **NOTE:** The FQDN can be more reliable than the IP address. If the server gets its IP address via DHCP, the IP address can change. However, the connection with an IP address might be faster because the printer does not need to use DNS to find the destination server.

---

- b. From the **Authentication Settings** drop-down, select one of the following options:

- Use credentials of user to connect after Sign In at the control panel
- Always use these credentials



---

**NOTE:** If **Always use these credentials** is selected, a user name and password must be entered in the corresponding fields, and the printer's access to the folder must be verified by clicking **Verify Access**.

---

- c. In the **Windows Domain** field, type the Windows domain.



---

**TIP:** To find the Windows domain in Windows 7, click **Start**, click **Control Panel**, click **System**.

To find the Windows domain in Windows 8, click **Search**, enter `System` in the search box, and then click **System**.

The domain is listed under **Computer name, domain, and workgroup settings**.




---

- d. Click **Next**.
7. On the **Configure File Scan Settings** dialog, set the default scanning preferences for the Quick Set, and then click **Next**.
8. Review the **Summary** dialog, and then click **Finish**.

## Method two: Use Scan to Network Folder Setup

This option enables advanced configuration of the Save to Network Folder feature using the HP Embedded Web Server (EWS) for the printer.

---

 **NOTE:** Before you begin: To display the printer's IP address or host name, touch the Information icon , and then touch the Network icon  on the printer's control panel.

---

### Step one: Begin the configuration

Use the following steps to begin Scan to Network Folder setup.

1. Click the **Scan/Digital Send** tab.
2. In the left navigation pane, click **Scan to Network Folder Setup**.

## Step two: Configure the Scan to Network Folder settings

Use the following procedure to complete Scan to Network Folder setup.


### Step one: Begin the configuration

Use the following steps to begin configuration.

1. On the Scan to Network Folder Setup page, select the **Enable Scan to Network Folder** check box. If this box is not selected, the feature is unavailable at the printer control panel.
2. In the Scan to Network Folder area of the left navigation pane, click **Quick Sets**. Click **Add** to open the **Quick Sets Setup** dialog.

---

 **NOTE:** Quick Sets are shortcut jobs that can be accessed on the printer Home screen or within the Quick Sets application.

 **NOTE:** The Scan to Network Folder feature can be minimally configured without creating a Quick Set. However, without the Quick Set, users must enter the destination folder information at the control panel for each scan job. A Quick Set is required to include Scan to Network Folder metadata.

---

Complete all of the settings in the Quick Set Setup to fully configure the Scan to Network Folder feature.


### Dialog one: Set the Quick Set name, description, and options for user interaction at the control panel

Set the Quick Set details for user interaction at the printer's control panel.

Use the **Set the button location for the Quick Set and options for user interaction at the control panel** dialog to configure where the **Quick Set** button will display on the printer control panel and to configure the level of user interaction at the printer control panel.

1. In the **Quick Set Name** field, type a title.

---

 **NOTE:** Name the Quick Set something that users can understand quickly (e.g., "Scan and save to a folder").

---

2. In the **Quick Set Description** field, type a description explaining what the Quick Set will save.
3. From the **Quick Set Start Option** list, select one of the following options:

- Option one: **Enter application, then user presses Start.**
- Option two: **Start instantly upon selection.**

Select one of the following prompt options :

- **Prompt for original sides**
- **Prompt for additional pages**
- **Require Preview**

---

 **NOTE:** If **Start instantly upon selection** is selected, the destination folder must be entered in the next step.

---

4. Click **Next**.



## Dialog two: Folder Settings

Use the **Folder Settings** dialog to configure the types of folders the printer sends scanned documents to and the folder permissions.

There are two types of destination folders to select from:

- Shared folders or FTP folders
- Personal shared folders

There are two types of folder permissions to select from:

- Read and write access
- Write access only

## Configure the destination folder for scanned documents

Select one of the following options to set up a destination folder.

### Option 1: Configure the printer to save to a shared folder or FTP folder

To save scanned documents to a standard shared folder or an FTP folder, complete the following steps.

1. If it is not already selected, select **Save to shared folders or FTP folders**.
2. Click **Add...**. The **Add Network Folder Path** dialog opens.
3. On the **Add Network Folder Path** dialog, select one of the following options:
  - Option one: **Save to a standard shared network folder**.


The screenshot shows the HP printer's control panel interface. The top navigation bar includes tabs for Information, General, Copy/Print, Scan/Digital Send (selected), Fax, Troubleshooting, Security, HP Web Services, and Networking. A search bar and a 'Welcome Sign In' link are in the top right. The left sidebar lists various setup options, with 'Email and Scan to Network Folder Quick Setup Wizards' highlighted. The main area is titled 'Quick Sets Setup' and contains the 'Add Network Folder Path' dialog. This dialog has two radio button options: 'Save to a standard shared network folder' (selected) and 'Save to an FTP Server'. Under the selected option, there is a 'UNC Folder Path' field with a placeholder '(\\path)\path', a 'Custom Subfolder' field with a '+' icon, and a checkbox for 'Restrict subfolder access to user'. Below these are 'Folder Path Preview', 'Authentication Settings' (a dropdown menu), and a 'Windows Domain' field. An 'Update Preview' button is located to the right of the preview section. At the bottom right of the dialog are 'OK' and 'Cancel' buttons.

1. If it is not already selected, select **Save to a standard shared network folder**.
2. In the **UNC Folder Path** field, type a folder path.

The folder path can either be the fully-qualified domain name (FQDN) or the IP address of the server. Be sure that the folder path (e.g., `\scans`) follows the FQDN or IP address.

FQDN example: `\\servername.us.companyname.net\scans`

IP address example: `\\16.88.20.20\scans`

 **NOTE:** The FQDN can be more reliable than the IP address. If the server gets its IP address via DHCP, the IP address can change. However, the connection with an IP address might be faster because the printer does not need to use DNS to find the destination server.

3. To automatically create a subfolder for scanned documents in the destination folder, select a format for the subfolder name from the **Custom Subfolder** list.

To restrict the subfolder access to the user who creates the scan job, select **Restrict subfolder access to user**.

4. To view the complete folder path for scanned documents, click **Update Preview**.
5. From the **Authentication Settings** list, select one of the following options:
  - **Use credentials of user to connect after Sign In at the control panel**
  - **Always use these credentials**


---

 **NOTE:** If **Always use these credentials** is selected, a user name and password must be entered in the corresponding fields.

---


6. In the **Windows Domain** field, type the Windows domain.


---

 **NOTE:** To find the Windows domain in Windows 7, click **Start**, click **Control Panel**, click **System**.

To find the Windows domain in Windows 8, click **Search**, enter `System` in the search box, and then click **System**.

The domain is listed under **Computer name, domain, and workgroup settings**.

 **NOTE:** If a shared folder is set to be accessed by everyone, values for a workgroup name (default is "Workgroup"), a user name, and password must be entered in the corresponding fields. However, if the folder is within a particular user's folders and not Public, the user name and password of that user must be used.

 **NOTE:** An IP address might be necessary instead of a computer name. Many home routers do not handle computer names well, and there is no Domain Name Server (DNS). In this case, it is best to set up a static IP address on the shared PC to alleviate the problem of DHCP assigning a new IP address. On a typical home router, this is done by setting a static IP address that is on the same subnet, but outside the DHCP address range.

---

7. Click **OK**.
- Option two: **Save to an FTP Server**.


The screenshot shows the 'Quick Sets Setup' page in the HP EWS. The 'Scan/Digital Send' tab is active. In the left sidebar, 'Email and Scan to Network Folder Quick Setup Wizards' is selected. The main area is titled 'Add Network Folder Path' and has two radio buttons: 'Save to a standard shared network folder' (unselected) and 'Save to an FTP Server' (selected). Below this, there is a note: 'A Workstation or Server that has a File Transfer Protocol (FTP) service installed and configured.' The form contains the following fields:
 

- FTP Server:** A text input field with a placeholder 'Server hostname or IP address'.
- Port:** A text input field with the value '21' and a note '(folder/subfolder)' below it.
- FTP Folder Path:** A text input field with a placeholder '(folder/subfolder)'.
- Custom Subfolder:** A text input field with a '+' button and a note 'Appends a custom subfolder at end of the folder path.'
- Folder Path Preview:** A text area with an 'Update Preview' button. A note below it says 'Some Custom Subfolder values will be updated only when the Quick Set is used.'
- FTP Transfer Mode:** A dropdown menu currently set to 'Passive' with a note 'This is an advanced setting.'
- User Name:** A text input field.
- Password:** A text input field with a 'Verify Access' button.

 At the bottom right of the form are 'OK' and 'Cancel' buttons. A footer at the very bottom contains support links and copyright information: 'HP Instant Support | Shop for Supplies | Product Support © Copyright 2010-2016 HP Development Company, L.P.'

 **NOTE:** If an FTP site is outside the firewall, a proxy server must be specified under the network settings. These settings are located in the **EWS Networking** tab, under the **Advanced** options.

1. Select **Save to an FTP Server**.
2. In the **FTP Server** field, type the FTP server name or IP address.
3. In the **Port** field, type the port number.


 **NOTE:** In most cases, the default port number does not need to be changed.

4. To automatically create a subfolder for scanned documents in the destination folder, select a format for the subfolder name from the **Custom Subfolder** list.
5. To view the complete folder path for scanned documents, click **Update Preview**.
6. From the **FTP Transfer Mode** list, select one of the following options:
  - **Passive**
  - **Active**
7. In the **Username** field, type the user name.
8. In the **Password** field, type the password.
9. Click **Verify Access** to confirm the destination can be accessed.
10. Click **OK**.

### Option 2: Configure the printer to save to a personal shared folder

To save scanned documents to a personal shared folder, complete the following steps.


---

 **NOTE:** This option is used in domain environments where the administrator configures a shared folder for each user. If the Save to a personal shared folder feature is configured, users will be required to sign in at the printer control panel using Windows credentials or LDAP authentication.

---

1. Select **Save to a personal shared folder**.
2. In the **Retrieve the device user's home folder using this attribute** field, type the user's home folder in the Microsoft Active Directory.

---

 **NOTE:** Verify that the user knows where this home folder is located on the network.

---

3. To add a user name subfolder at the end of the folder path, select **Create subfolder based on user name**.  
To restrict the subfolder access to the user who creates the scan job, select **Restrict subfolder access to user**.


## Select the destination folder permissions

Select one of the following options to set up destination folder permissions.

### Option 1: Configure read and write access

To send scanned documents to a folder configured for read and write access, complete the following steps.


---

 **NOTE:** **Send only to folders with read and write access** supports folder verification and job notification.

---

1. If it is not already selected, select **Send only to folders with read and write access**.
2. To require the printer to verify folder access before starting a scan job, select **Verify folder access prior to job start**.

---

 **NOTE:** Scan jobs can complete more quickly if **Verify folder access prior to job start** is not selected; however, if the folder is unavailable, the scan job will fail.


---

3. Click **Next**.


### Option 2: Configure write access only

To send scanned documents to a folder configured for write access only, complete the following steps.

---

 **NOTE:** **Allow sending to folders with write access only** does not support folder verification or job notification.

---

 **NOTE:** If this option is selected, the printer cannot increment the scan filename. It sends the same filename for all scans.

Select a time-related filename prefix or suffix for the scan filename, so that each scan is saved as a unique file, and does not overwrite a previous file. This filename is determined by the information in the **File Settings** dialog in the Quick Set Wizard.

---

1. Select **Allow sending to folders with write access only**.
2. Click **Next**.

### Dialog three: Notification Settings

Use the **Notification Settings** dialog to configure when notifications will be sent.

▲ On the **Notification Settings** dialog, complete one of the following tasks:

- Option one: **Do not notify**.
  1. Select **Do not notify**.
  2. To prompt the user to review their notification settings, select **Prompt user prior to job start**, and then click **Next**.
- Option two: **Notify when job completes**.
  1. Select **Notify when job completes**.
  2. Select the method for delivering the notification from the **Method Used to Deliver Notification** list.

If the method of notification selected is **Email**, type the email address in the **Notification Email Address** field.

3. To include a thumbnail of the first scanned page in the notification, select **Include Thumbnail**.
  4. To prompt the user to review their notification settings, select **Prompt user prior to job start**, and then click **Next**.
- Option three: **Notify only if job fails**.
    1. Select **Notify only if job fails**.
    2. Select the method for delivering the notification from the **Method Used to Deliver Notification** list.  
  
If the method of notification selected is **Email**, type the email address in the **Notification Email Address** field.
    3. To include a thumbnail of the first scanned page in the notification, select **Include Thumbnail**.
    4. To prompt the user to review their notification settings, select **Prompt user prior to job start**, and then click **Next**.

#### Dialog four: Scan Settings

Complete the scan settings as follows.

On the **Scan Settings** dialog, set the default scanning preferences for the Quick Set, and then click **Next**.

**Table 6-9** Scan settings

Feature	Description
<b>Original Size</b>	Select the page size of the original document.
<b>Original Sides</b>	Select whether the original document is single-sided or double-sided.
<b>Optimize Text/Picture</b>	Select to optimize for the output of a particular type of content.
<b>Content Orientation</b>	Select the way the content of the original document is placed on the page: <b>Portrait</b> or <b>Landscape</b> .
<b>Background Cleanup</b>	Select a value to remove faint images from the background or to remove a light background color.
<b>Darkness</b>	Select a value to adjust the darkness of the file.
<b>Contrast</b>	Select a value to adjust the contrast of the file.
<b>Sharpness</b>	Select a value to adjust the sharpness of the file.
<b>Image Preview</b>	Select whether to require or make optional a displayed preview of the job or to disable a preview.
<b>Cropping Options</b>	Select whether or not to allow a job to be cropped and the type of cropping option.
<b>Erase Edges</b>	Select this setting to specify the width of edge margins to be erased, in either inches or millimeters, for the front side and back side of a job.

#### Dialog five: File Settings

Complete the file settings as follows.

On the **File Settings** dialog, set the default file settings for the Quick Set, and then click **Next**.

**Table 6-10** File settings

Feature	Description
File Name Prefix	Set the default file name prefix used for files saved to a network folder.
File Name	Default file name for the file to be saved.  Select the <b>User editable</b> check box to make this setting editable at the printer control panel.
File Name Suffix	Set the default file name suffix used for files saved to a network folder.
File Name Preview	Enter a file name, and then click the <b>Update Preview</b> button.
File Numbering Format	Select a file name format for when the job is divided into multiple files.
Add numbering when job has just one file (ex. _1-1)	Select this setting to add numbering to a file name when the job is only one file instead of multiple files.
File Type	Select the file format for the saved file.  Select the <b>User editable</b> check box to make this setting editable at the printer control panel.
High Compression (smaller file)	Select this setting to compress the scanned file, which reduces the file size. However, the scanning process for a High compression file might take longer than for a Normal compression file.
PDF encryption	If the file type is PDF, then this option encrypts the output PDF file. A password must be specified as part of the encryption. The same password must be used to open the file. The user will be prompted to enter a password prior to scanning their job if one has not been set prior to starting the scan.
Resolution	Set the resolution for the file. Higher resolution images have more dots per inch (dpi), so they show more detail. Lower resolution images have fewer dots per inch and show less detail, but the file size is smaller.
Quality and File Size	Select the quality for the file. Higher-quality images require a larger file size than lower-quality images, and they take more time to send.
Color/Black	Specify whether copies are to be printed in color, black and gray, or black only.
Suppress blank pages	If the <b>Suppress blank pages</b> option is enabled, blank pages will be ignored.
Metadata File Format	Use the drop-down list to select the file format for metadata information.
Create Multiple Files	Select this setting to scan pages into separate files based on a predetermined maximum number of pages per file.

### Dialog six: Summary

On the **Summary** dialog, review the **Summary** dialog, and then click **Finish**.

### Step three: Complete the configuration

Use the following steps to complete Scan to Network Folder setup.

1. In the left navigation pane, click **Scan to Network Folder**.
2. On the Scan to Network Folder page, review the selected settings, and then click **Apply** to complete the setup.



# Set up Scan to SharePoint

Use Scan to SharePoint to scan documents directly to a Microsoft SharePoint site. This feature eliminates the need to scan the documents to a network folder, USB flash drive, or email message, and then manually upload the files to the SharePoint site.

## Introduction

Set up the Scan to SharePoint feature, and then scan documents directly to a SharePoint site.

Scan to SharePoint supports all scanning options, including the ability to scan documents as images or use the OCR features to create text files or searchable PDFs.



The feature is disabled by default. Enable **Save to Sharepoint** in the HP Embedded Web Server (EWS).

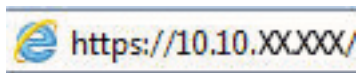
## Before you begin


Before this procedure can be completed, the destination folder that the scanned files will be saved to must exist on the SharePoint site, and write access must be enabled to the destination folder. Scan to SharePoint is disabled by default.

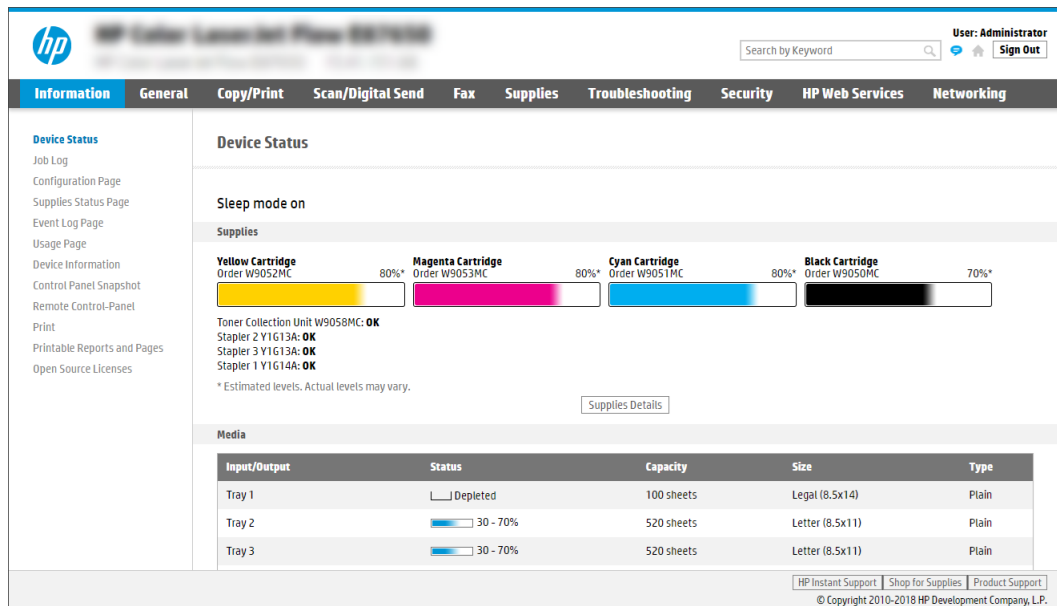
## Step one: Access the HP Embedded Web Server (EWS)

Open the EWS to start the setup process.

1. From the Home screen on the printer control panel, touch the Information icon , and then touch the Ethernet icon  to display the IP address or host name.
2. Open a web browser, and in the address line, type the IP address or host name exactly as it displays on the printer control panel. Press the **Enter** key on the computer keyboard. The EWS opens.



 **NOTE:** If the web browser displays a message indicating that accessing the website might not be safe, select the option to continue to the website. Accessing this website will not harm the computer.



## Step two: Enable Scan to SharePoint and create a Scan to SharePoint Quick Set

Follow the steps to enable the Scan to SharePoint feature and create a Scan to SharePoint Quick Set.

1. Using the top navigation tabs, click **Scan/Digital Send**.
2. In the left navigation pane, click **Scan to SharePoint®**.




**NOTE:** Quick Sets are shortcut jobs that can be accessed on the printer Home screen or within the **Quick Sets** application.

3. Select **Enable Scan to SharePoint®**, and then click **Apply**.
4. In the Scan to SharePoint area of the left navigation pane, click **Quick Sets**. Click **Add** to launch the Quick Set Wizard.
5. Enter a **Quick Set Name** (for example, “Scan to SharePoint”) and a **Quick Set Description**.
6. Select a **Quick Set Start Option** to determine what occurs after selecting a Quick Set on the printer control panel, and then click **Next**.
7. Use the following steps to add the path to the SharePoint folder:
  - a. Click **Add** on the **SharePoint Destination Settings** page to open the **Add SharePoint Path** page.
  - b. Open another browser window, navigate to the SharePoint folder to use, and then copy the folder path for the SharePoint folder from that browser window.
  - c. Paste the SharePoint folder path into the **SharePoint Path:** field.
  - d. By default, the printer overwrites an existing file that has the same file name as the new file. Clear **Overwrite existing files** so that a new file with the same name as an existing file is given an updated time/date stamp.
  - e. Select an option from the **Authentication Settings** drop-down menu. Select whether it is necessary to sign in to the SharePoint site with credentials, or store the credentials within the Quick Set.

---

 **NOTE:** Use credentials of user to connect after **Sign In at the control panel** is selected in the **Authentication Settings** drop-down menu, the logged-in user must have permission to write to the specified SharePoint site.

 **NOTE:** For security purposes, the printer does not display credentials entered in the Quick Set Wizard.

---

- f. Click **OK** to complete the SharePoint path setup, and navigate back to the SharePoint Destination Settings page.
8. Select **Verify folder access prior to job start** to ensure that the SharePoint folder specified as the destination folder is accessible each time the Quick Set is used. If this option is not selected, jobs can be saved to the SharePoint folder more quickly. However, if this option is not selected *and* the SharePoint folder is inaccessible, the job will fail.
9. Click **Next**.
10. Set a **Condition on Which to Notify** on the Notification Settings page. This setting configures the Quick Set to either not notify, or to send email messages or print a summary page if a job either completes successfully or fails. Select one of the following options from the **Condition on Which to Notify** drop-down menu:
  - Select **Do not notify** for the Quick Set to not perform any notification action when a job completes successfully or fails.
  - Select **Notify when job completes** to for the Quick Set to send a notification when a job completes successfully.
  - Select **Notify only if job fails** to for the Quick Set to send a notification only when a job fails.

Selecting either **Notify when job completes** or **Notify only if job fails** requires the **Method Used to Deliver Notification**: to be set. Select from the following options:

- **Email:** Use this option to send an email when the selected notification condition occurs. This option requires a valid email address in the **Notification Email Address**: field.


---

 **NOTE:** To use the email notification feature, first configure the email feature on the printer.

---

- **Print:** Use this option to print the notification when the selected notification condition occurs.

---

 **NOTE:** Select **Include Thumbnail** for either notification option to include a thumbnail image of the first page of the scanned page of the job.

---


11. Click **Next**.
12. Select options from the Scan Settings page, and then click **Next**. For more information, see [Table 6-12 Scan settings for Scan to SharePoint on page 141](#).
13. Select options from the **File Settings** page, and then click **Next**. For more information, see [Table 6-13 File settings for Scan to SharePoint on page 141](#).
14. Review the summary of settings. Click **Finish** to save the Quick Set or click **Previous** to edit the settings.

## Scan a file directly to a SharePoint site









Follow the steps to scan a document directly to a SharePoint site.

1. Place the document face-down on the scanner glass, or place it face-up in the document feeder and adjust the paper guides to fit the size of the document.
2. From the Home screen on the printer control panel, navigate to the [Scan](#) application, select the [Scan](#) icon, and then select [Scan to SharePoint®](#).




 **NOTE:** It might be necessary to sign in to the printer to use this feature.

3. Under [Quick Sets](#), touch [Select](#), select a Quick Set, and then select [Load](#).
4. Touch the [File Name:](#) text field to open a keyboard. Type the name for the file using either the on-screen keyboard or the physical keyboard, and touch the Enter button .
5. Touch [Options](#) to view and configure settings for the document.
6. Touch the right pane of the screen to preview the document. In the preview screen, use the buttons on the right of the screen to adjust the preview options and to rearrange, rotate, insert, or remove pages.

**Table 6-11** Buttons on the right side of the preview pane

Button	Description
	Use these buttons to toggle between single-page view and thumbnail view. More options are available in thumbnail view than in single-page view.
	
	Use these buttons to zoom in or out on the selected page. <b>NOTE:</b> Select only one page at a time to use these buttons.
	
	Use this button to rotate the page 180 degrees. <b>NOTE:</b> This button is available only in the thumbnail view.
	Use this button to delete the selected pages. <b>NOTE:</b> This button is available only in the thumbnail view.
	Use these buttons to rearrange the pages within the document. Select one or more pages and move them to the left or right. <b>NOTE:</b> These buttons are available only in the thumbnail view.
	

**Table 6-11** Buttons on the right side of the preview pane (continued)

Button	Description
	Use this button to add a page to the document. The printer prompts to scan additional pages.
	Use this button to clear the changes made in the preview and start over.
	Touch this button to collapse the preview screen and return to the Copy screen.

7. When the document is ready, select [Send](#) to save it to the SharePoint location.

## Quick Set scan settings and options for Scan to SharePoint

Review the settings and options available in the Quick Set Wizard when adding, editing, or copying a Scan to SharePoint Quick Set.

**Table 6-12** Scan settings for Scan to SharePoint

Feature	Description
Original Size	Select the page size of the original document.
Original Sides	Select whether the original document is single-sided or double-sided.
Optimize Text/Picture	Select to optimize for the output of a particular type of content.
Content Orientation	Select the way the content of the original document is placed on the page: <b>Portrait</b> or <b>Landscape</b> .
Background Cleanup	Select a value to remove faint images from the background or to remove a light background color.
Darkness	Select a value to adjust the darkness of the file.
Contrast	Select a value to adjust the contrast of the file.
Sharpness	Select a value to adjust the sharpness of the file.
Image Preview	Select whether to require or make optional a displayed preview of the job or to disable a preview.
Cropping Options	Select whether or not to allow a job to be cropped and the type of cropping option.
Erase Edges	Select this setting to specify the width of edge margins to be erased, in either inches or millimeters, for the front side and back side of a job.

**Table 6-13** File settings for Scan to SharePoint

Feature	Description
File Name Prefix	Set the default file name prefix used for files to be saved.
File Name	Default file name for the file to be saved.  Select the <b>User editable</b> check box to make this setting editable at the printer control panel.

**Table 6-13** File settings for Scan to SharePoint (continued)

Feature	Description
<b>File Name Suffix</b>	Set the default file name suffix used for files to be saved.  Duplicate filename suffix default [filename]_YYYYMMDDT
<b>File Name Preview</b>	Enter a file name, and then click the <b>Update Preview</b> button.
<b>File Numbering Format</b>	Select a file name format for when the job is divided into multiple files.
<b>Add numbering when job has just one file (ex. _1-1)</b>	Select this setting to add numbering to a file name when the job is only one file instead of multiple files.
<b>File Type</b>	Select the file format for the saved file.  Select the <b>User editable</b> check box to make this setting editable at the printer control panel.
<b>High Compression (smaller file)</b>	Select this setting to compress the scanned file, which reduces the file size. However, the scanning process for a High compression file might take longer than for a Normal compression file.
<b>PDF encryption</b>	If the file type is PDF, then this option encrypts the output PDF file. A password must be specified as part of the encryption. The same password must be used to open the file. The user will be prompted to enter a password prior to scanning their job if one has not been set prior to starting the scan.
<b>Resolution</b>	Set the resolution for the file. Higher resolution images have more dots per inch (dpi), so they show more detail. Lower resolution images have fewer dots per inch and show less detail, but the file size is smaller.
<b>Quality and File Size</b>	Select the quality for the file. Higher-quality images require a larger file size than lower-quality images, and they take more time to send.
<b>Color/Black</b>	Specify whether copies are to be printed in color, black and gray, or black only
<b>Suppress blank pages</b>	If the <b>Suppress blank pages</b> option is enabled, blank pages will be ignored.
<b>Create Multiple Files</b>	Select this setting to scan pages into separate files based on a predetermined maximum number of pages per file.

# Set up Scan to USB Drive



Enable the Scan to USB feature, which allows you to scan directly to a USB flash drive.

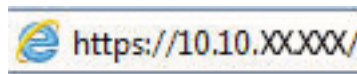
## Introduction

The printer has a feature that enables it to scan a document and save it to a USB flash drive. The feature is not available until it has been configured through the HP Embedded Web Server (EWS).

## Step one: Access the HP Embedded Web Server (EWS)

Open the EWS to start the setup process.

1. From the Home screen on the printer control panel, touch the Information icon , and then touch the Ethernet icon  to display the IP address or host name.
2. Open a web browser, and in the address line, type the IP address or host name exactly as it displays on the printer control panel. Press the `ENTER` key on the computer keyboard. The EWS opens.



 **NOTE:** If the web browser displays a message indicating that accessing the website might not be safe, select the option to continue to the website. Accessing this website will not harm the computer.

The screenshot shows the HP Embedded Web Server (EWS) interface. The top navigation bar includes tabs for Information, General, Copy/Print, Scan/Digital Send, Fax, Supplies, Troubleshooting, Security, HP Web Services, and Networking. The main content area is divided into sections: Device Status, Supplies, and Media. The Supplies section shows four cartridges: Yellow Cartridge (80%), Magenta Cartridge (80%), Cyan Cartridge (80%), and Black Cartridge (70%). The Media section shows a table of input/output trays.

Input/Output	Status	Capacity	Size	Type
Tray 1	Depleted	100 sheets	Legal (8.5x14)	Plain
Tray 2	30 - 70%	520 sheets	Letter (8.5x11)	Plain
Tray 3	30 - 70%	520 sheets	Letter (8.5x11)	Plain

## Step two: Enable Scan to USB Drive

Enable Scan to USB Drive using the following steps.

1. Select the **Security** tab.
2. Scroll to **Hardware Ports** and make sure that **Enable Host USB plug and play** is enabled.
3. Select the **Copy/Print** tab for MFP models or the **Print** tab for SFP models.

4. Select the **Enable Save to USB** check box.
5. Click **Apply** at the bottom of the page.



**NOTE:** Most devices ship with hard disk drives (HDDs) already installed. In some cases, additional storage devices can be added via USB. Verify whether the Save to USB feature needs to be expanded to USB and hard drive.

---

## Step three: Configure the Quick Sets (optional)

Use the following steps to set up Quick Sets for Scan to USB Drive. Quick Sets are shortcut jobs that can be accessed on the printer Home screen or within the Quick Sets application.

1. In the **Scan to USB Drive** area of the left navigation pane, click **Quick Sets**.
2. Select one of the following options:
  - Select an existing Quick Set under **Quick Sets Application** in the table.
  - OR-
  - Click **Add** to start the Quick Set Wizard.
3. If you clicked **Add**, the Quick Sets Setup page opens. Complete the following information:
  - a. **Quick Set Name:** Enter a title for the new Quick Set.
  - b. **Quick Set Description:** Enter a description of the Quick Set.
  - c. **Quick Set Start Option:** To set how the Quick Set starts, click either **Enter application, then user presses Start** or **Start instantly when selected from the Home Screen**.
4. Select a default location where scanned files are saved on USB storage devices inserted into the USB port on the control panel, and then click **Next**. The default location options are:
  - **Save at root directory of the USB storage device.**
  - **Create or place in this folder on the USB Storage Device** — The path to the folder on the USB storage device must be specified when using this file location option. A backslash \ must be used to separate folder/subfolder names in the path.
5. Select an option from the **Condition on Which to Notify:** drop-down list, and then click **Next**.

This setting determines if, or how, users are notified when a Save To USB Quick Set job completes or fails. The options for the **Condition on Which to Notify:** setting are:

  - **Do not notify**
  - **Notify when job completes**
  - **Notify only if job fails**
6. Choose the **Scan Settings** for the Quick Set, and then click **Next**.



**NOTE:** For more information on the available scan settings, see [Default scan settings for Scan to USB Drive setup on page 145](#)

---

7. Choose the **File Settings** for the Quick Set, and then click **Next**.



 **NOTE:** For more information on the available file settings, see [Default scan settings for Scan to USB Drive setup on page 145](#)

8. Review the summary of settings, and then click **Finish** to save the Quick Set, or click **Previous** to edit the settings.

## Default scan settings for Scan to USB Drive setup

Review the default settings for Scan to USB Drive setup.

**Table 6-14** Scan settings for Scan to USB Drive setup

Feature	Description
Original Size	Select the page size of the original document.
Original Sides	Select whether the original document is single-sided or double-sided.
Optimize Text/Picture	Select to optimize for the output of a particular type of content.
Content Orientation	Select the way the content of the original document is placed on the page: <b>Portrait</b> or <b>Landscape</b> .
Background Cleanup	Select a value to remove faint images from the background or to remove a light background color.
Darkness	Select a value to adjust the darkness of the file.
Contrast	Select a value to adjust the contrast of the file.
Sharpness	Select a value to adjust the sharpness of the file.
Image Preview	Select whether to require or make optional a displayed preview of the job or to disable a preview.
Cropping Options	Select whether or not to allow a job to be cropped and the type of cropping option.
Erase Edges	Select this setting to specify the width of edge margins to be erased, in either inches or millimeters, for the front side and back side of a job.

## Default file settings for Save to USB setup

Review the options for Save to USB setup.

**Table 6-15** File settings for Save to USB setup

Option name	Description
File Name Prefix	Set the default file name prefix used for files saved to a network folder.
File Name	Default file name for the file to be saved. Select the <b>User editable</b> check box to make this setting editable at the printer control panel.
File Name Suffix	Set the default file name suffix used for files saved to a network folder. Duplicate filename suffix default [filename]_YYYYMMDDT
File Name Preview	Enter a file name, and then click the <b>Update Preview</b> button.
File Numbering Format	Select a file name format for when the job is divided into multiple files.
Add numbering when job has just one file (ex. _1-1)	Select this setting to add numbering to a file name when the job is only one file instead of multiple files.

**Table 6-15** File settings for Save to USB setup (continued)

Option name	Description
<b>File Type</b>	Select the file format for the saved file.  Select the <b>User editable</b> check box to make this setting editable at the printer control panel.
<b>High Compression (smaller file)</b>	Select this setting to compress the scanned file, which reduces the file size. However, the scanning process for a High compression file might take longer than for a Normal compression file.
<b>PDF encryption</b>	If the file type is PDF, then this option encrypts the output PDF file. A password must be specified as part of the encryption. The same password must be used to open the file. The user will be prompted to enter a password prior to scanning their job if one has not been set prior to starting the scan.
<b>Resolution</b>	Set the resolution for the file. Higher resolution images have more dots per inch (dpi), so they show more detail. Lower resolution images have fewer dots per inch and show less detail, but the file size is smaller.
<b>Quality and File Size</b>	Select the quality for the file. Higher-quality images require a larger file size than lower-quality images, and they take more time to send.
<b>Color/Black</b>	Specify whether copies are to be printed in color, black and gray, or black only.
<b>Suppress blank pages</b>	If the <b>Suppress blank pages</b> option is enabled, blank pages will be ignored.
<b>Create Multiple Files</b>	Select this setting to scan pages into separate files based on a predetermined maximum number of pages per file.

# Scan to email

Scan a document directly to an email address or contact list. The scanned document is sent as an email message attachment.

## Introduction


The printer has a feature that enables it to scan a document and send it to one or more email addresses.

## Scan to email

Use the following steps to scan a document directly to an email address or contact list.

1. Place the document face-down on the scanner glass, or place it face-up in the document feeder and adjust the paper guides to fit the size of the document.
2. From the Home screen on the printer control panel, navigate to the [Scan](#) application, select the [Scan](#) icon, and then select [Scan to Email](#).


---

 **NOTE:** If prompted, type your user name and password.

---

3. Touch the [To](#) field to open a keyboard.


---

 **NOTE:** If you are signed in to the printer, your user name or other default information might appear in the [From](#) field. If so, you might not be able to change it.


---


4. Specify the recipients by using one of these methods:

- Use the keypad to enter the address in the [To](#) field.


To send to multiple addresses, separate the addresses with a semicolon, or select the Enter button  on the touchscreen keyboard after typing each address.

- Use a contact list as follows:

1. Select the Contacts button  that is next to the [To](#) field to open the Contacts screen.
2. Select the appropriate contact list.
3. Select a name or names from the list of contacts to add to the recipients list, and then select [Add](#).

5. Complete the [Subject](#), [File Name](#), and [Message](#) fields by touching the field and using the touchscreen keyboard to enter information. Select the Close button  whenever you need to close the keyboard.
6. To load a Quick Set, select [Load](#), select the Quick Set, and then select [Load](#) under the [Quick Sets](#) list.



---

 **NOTE:** [Quick Sets](#) are predefined settings for various types of output, such as [Text](#), [Photograph](#), and [High Quality](#). You can select a Quick Set to view the description.

---









7. To configure settings, such as [File Type and Resolution](#), [Original Sides](#), and [Content Orientation](#), select [Options](#) in the lower left corner, and then select the settings from the [Options](#) menus. Select [Done](#) if prompted.
8. Optional Preview: Touch the right pane of the screen to preview the document. You can use the [Expand](#) and [Collapse](#) buttons on the left side of the preview pane to expand and collapse the preview screen.

**Table 6-16** Buttons on the left side of the preview pane




Button	Description
	Expand the preview screen.
	Collapse the preview screen.

Use the buttons on the right of the screen to adjust the preview options and to rearrange, rotate, insert, or remove pages.


**Table 6-17** Buttons on the right side of the preview pane

Button	Description
	Use these buttons to toggle between single-page view and thumbnail view. More options are available in thumbnail view than in single-page view.
	
	Use these buttons to zoom in or out on the selected page. <b>NOTE:</b> Select only one page at a time to use these buttons.
	
	Use this button to rotate the page 180 degrees. <b>NOTE:</b> This button is available only in the thumbnail view.
	Use this button to delete the selected pages. <b>NOTE:</b> This button is available only in the thumbnail view.
	Use these buttons to rearrange the pages within the document. Select one or more pages and move them to the left or right. <b>NOTE:</b> These buttons are available only in the thumbnail view.
	

**Table 6-17** Buttons on the right side of the preview pane (continued)

Button	Description
	Use this button to add a page to the document. The printer prompts to scan additional pages.
	Use this button to clear the changes made in the preview and start over.
	Touch this button to collapse the preview screen and return to the Copy screen.

9. When the document is ready, select [Send](#) to email it.

 **NOTE:** The printer might prompt you to add the email address to the contact list.

# Scan to job storage

Scan a document and save it to a job storage folder on the printer.

## Introduction

The printer has a feature that enables it to scan a document and save it to a job storage folder on the printer. You can retrieve the document from the printer and print it when needed.



---

**NOTE:** Before you can scan to a storage folder on the printer, your printer administrator or IT department must use the HP Embedded Web Server to enable the feature and configure the settings.

---

## Scan to job storage on the printer

Use this procedure to scan a document and save it to a job storage folder on the printer so that you can print copies at any time.

1. Place the document face-down on the scanner glass, or place it face-up in the document feeder and adjust the paper guides to fit the size of the document.
2. From the Home screen on the printer control panel, navigate to the [Scan](#) application, select the [Scan](#) icon, and then select [Scan to Job Storage](#).






---

**NOTE:** If prompted, enter your user name and password.



---

3. Select the default storage folder name shown under [Folder](#).

If the printer administrator has configured the option, you can create a new folder. Follow these steps to create a new folder:

- a. Select the New Folder icon .
  - b. Select the [New Folder](#) field, type the folder name, and then select [OK](#).
4. Make sure that you have selected the correct folder.
  5. Touch the [Job Name](#) text field to open a touchscreen keyboard, type the name for the file, and then select the Enter button .
  6. To make the job private, select the PIN button , enter a four-digit PIN in the [PIN](#) field, and then close the touchscreen keypad.
  7. To configure settings, such as [Sides](#) and [Content Orientation](#), select [Options](#) in the lower left corner, and then select the settings from the [Options](#) menus. Select [Done](#) for each setting if prompted.
  8. Optional Preview: Touch the right pane of the screen to preview the document. You can use the [Expand](#) and [Collapse](#) buttons on the left side of the preview pane to expand and collapse the preview screen.

**Table 6-18** Buttons on the left side of the preview pane

Button	Description
	Expand the preview screen.
	Collapse the preview screen.

Use the buttons on the right of the screen to adjust the preview options and to rearrange, rotate, insert, or remove pages.

**Table 6-19** Buttons on the right side of the preview pane












Button	Description
	Use these buttons to toggle between single-page view and thumbnail view. More options are available in thumbnail view than in single-page view.
	
	Use these buttons to zoom in or out on the selected page. <b>NOTE:</b> Select only one page at a time to use these buttons.
	
	Use this button to rotate the page 180 degrees. <b>NOTE:</b> This button is available only in the thumbnail view.
	Use this button to delete the selected pages. <b>NOTE:</b> This button is available only in the thumbnail view.
	Use these buttons to rearrange the pages within the document. Select one or more pages and move them to the left or right. <b>NOTE:</b> These buttons are available only in the thumbnail view.
	


Table 6-19 Buttons on the right side of the preview pane (continued)

Button	Description
	Use this button to add a page to the document. The printer prompts to scan additional pages.
	Use this button to clear the changes made in the preview and start over.
	Touch this button to collapse the preview screen and return to the Copy screen.

9. When the document is ready, select [Save](#) to save the file to the storage folder.

## Print from job storage on the printer

Use this procedure to print a scanned document that is in a job storage folder on the printer.

1. From the Home screen on the printer control panel, navigate to the [Print](#) application, select the [Print](#) icon, and then select [Print from Job Storage](#).
2. Under [Stored Jobs to Print](#), select [Choose](#), select the folder in which the document is saved, select the document, and then select [Select](#).
3. If the document is private, enter the four-digit PIN in the [Password](#) field, and then select [OK](#).
4. To adjust the number of copies, touch the box to the left of the [Print](#) button, and then select the number of copies from the keypad that opens. Select the Close button  to close the keypad.
5. Select [Print](#) to print the document.



# Scan to network folder

Scan a document and save it to a folder on the network.

## Introduction

The printer can scan a file and save it in a shared folder on the network.


## Scan to network folder

Use this procedure to scan a document and save it to a network folder.


---

 **NOTE:** You might be required to sign in to the printer to use this feature.

---


1. Place the document face-down on the scanner glass, or place it face-up in the document feeder and adjust the paper guides to fit the size of the document.
2. From the Home screen on the printer control panel, navigate to the [Scan](#) application, select the [Scan](#) icon, and then select [Scan to Network Folder](#).
3. Specify a folder destination. Folder options must first be configured by the printer administrator.
  - To select a folder location that the administrator already set up, select [Load](#) under [Quick Sets and Defaults](#), select the folder, and then select [Load](#).
  - To specify a new folder location, touch the [Folder Paths](#) field to open a touchscreen keyboard, type the path to the folder, and then select the Enter button . Enter user credentials if prompted and then select [Save](#) to save the path.

---



 **NOTE:** Use this format for the path: `\\server\folder`, where “server” is the name of the server that hosts the shared folder, and “folder” is the name of the shared folder. If the folder is nested inside other folders, complete all necessary segments of the path to reach the folder. For example: `\\server\folder\folder`

 **NOTE:** The [Folder Paths](#) field might have a pre-defined path, and it might not be editable. In this situation, the administrator has configured this folder for common access.

---









4. Touch the [File Name](#) text field to open a touchscreen keyboard, type the name for the file, and then select the Enter button .
5. To configure settings, such as [File Type and Resolution](#), [Original Sides](#), and [Content Orientation](#), select [Options](#) in the lower left corner, and then select the settings from the [Options](#) menus. Select [Done](#) for each setting if prompted.
6. Optional Preview: Touch the right pane of the screen to preview the document. You can use the [Expand](#) and [Collapse](#) buttons on the left side of the preview pane to expand and collapse the preview screen.

**Table 6-20** Buttons on the left side of the preview pane




Button	Description
	Expand the preview screen.
	Collapse the preview screen.

Use the buttons on the right of the screen to adjust the preview options and to rearrange, rotate, insert, or remove pages.

**Table 6-21** Buttons on the right side of the preview pane

Button	Description
	Use these buttons to toggle between single-page view and thumbnail view. More options are available in thumbnail view than in single-page view.
	Use these buttons to zoom in or out on the selected page. <b>NOTE:</b> Select only one page at a time to use these buttons.
	
	
	Use this button to rotate the page 180 degrees. <b>NOTE:</b> This button is available only in the thumbnail view.
	Use this button to delete the selected pages. <b>NOTE:</b> This button is available only in the thumbnail view.
	Use these buttons to rearrange the pages within the document. Select one or more pages and move them to the left or right. <b>NOTE:</b> These buttons are available only in the thumbnail view.
	

**Table 6-21** Buttons on the right side of the preview pane (continued)

Button	Description
	Use this button to add a page to the document. The printer prompts to scan additional pages.
	Use this button to clear the changes made in the preview and start over.
	Touch this button to collapse the preview screen and return to the Copy screen.

7. When the document is ready, select [Send](#) to save the file to the network folder.

# Scan to SharePoint


Scan a document directly to a SharePoint site.

## Introduction

If you have a workflow-equipped printer, you can scan a document and send it to a SharePoint site. This feature eliminates the need to scan the documents to a network folder, USB flash drive, or email message, and then manually upload the files to the SharePoint site.

Scan to SharePoint supports all scanning options, including the ability to scan documents as images or use the OCR features to create text files or searchable PDFs.

---

 **NOTE:** Before you can scan to SharePoint, your printer administrator or IT department must use the HP Embedded Web Server to enable the feature and set it up.

---

## Scan to SharePoint


Use the following steps to scan a document directly to a SharePoint site.

1. Place the document face-down on the scanner glass, or place it face-up in the document feeder and adjust the paper guides to fit the size of the document.
2. From the Home screen on the printer control panel, navigate to the [Scan](#) application, select the [Scan](#) icon, and then select [Scan to SharePoint®](#).



---

 **NOTE:** It might be necessary to sign in to the printer to use this feature.

---








3. Under [Quick Sets](#), touch [Select](#), select a Quick Set, and then select [Load](#).
4. Select the [File Name:](#) text field to open a keyboard. Type the name for the file, and then select the enter button .
5. To configure settings, such as [File Type and Resolution](#), [Sides](#), and [Content Orientation](#), select [Options](#) in the lower left corner, and then select the settings from the [Options](#) menus. Select [Done](#) if prompted.
6. Optional Preview: Touch the right pane of the screen to preview the document. You can use the [Expand](#) and [Collapse](#) buttons on the left side of the preview pane to expand and collapse the preview screen.

**Table 6-22** Buttons on the left side of the preview pane

Button	Description
	Expand the preview screen.
	Collapse the preview screen.

Use the buttons on the right of the screen to adjust the preview options and to rearrange, rotate, insert, or remove pages.

**Table 6-23** Buttons on the right side of the preview pane

Button	Description
	Use these buttons to toggle between single-page view and thumbnail view. More options are available in thumbnail view than in single-page view.
	
	Use these buttons to zoom in or out on the selected page. <b>NOTE:</b> Select only one page at a time to use these buttons.
	
	Use this button to rotate the page 180 degrees. <b>NOTE:</b> This button is available only in the thumbnail view.
	Use this button to delete the selected pages. <b>NOTE:</b> This button is available only in the thumbnail view.
	Use these buttons to rearrange the pages within the document. Select one or more pages and move them to the left or right. <b>NOTE:</b> These buttons are available only in the thumbnail view.
	
	Use this button to add a page to the document. The printer prompts to scan additional pages.
	Use this button to clear the changes made in the preview and start over.
	Touch this button to collapse the preview screen and return to the Copy screen.

- When the document is ready, select [Send](#) to save it to the SharePoint location.

# Scan to USB drive

Scan a document directly to a USB drive.


## Introduction

The printer can scan a file and save it to a USB flash drive.



## Scan to USB drive

Use the following steps to scan a document directly to a USB drive.

 **NOTE:** You might be required to sign in to the printer to use this feature.

1. Place the document face-down on the scanner glass, or place it face-up in the document feeder and adjust the paper guides to fit the size of the document.
2. Insert the USB drive into the USB port near the printer control panel.
3. From the Home screen on the printer control panel, navigate to the [Scan](#) application, select the [Scan](#) icon, and then select [Scan to USB Drive](#).
4. Select the USB drive under [Destination](#), and then select the save location (either the root of the USB drive or an existing folder).
5. Touch the [File Name](#) text field to open a touchscreen keyboard, type the name for the file, and then select the Enter button .
6. To configure settings, such as [File Type and Resolution](#), [Original Sides](#), and [Content Orientation](#), select [Options](#) in the lower left corner, and then select the settings from the [Options](#) menus. Select [Done](#) if prompted.
7. Optional Preview: Touch the right pane of the screen to preview the document. You can use the [Expand](#) and [Collapse](#) buttons on the left side of the preview pane to expand and collapse the preview screen.

**Table 6-24** Buttons on the left side of the preview pane

Button	Description
	Expand the preview screen.
	Collapse the preview screen.

Use the buttons on the right of the screen to adjust the preview options and to rearrange, rotate, insert, or remove pages.

**Table 6-25** Buttons on the right side of the preview pane

Button	Description
	Use these buttons to toggle between single-page view and thumbnail view. More options are available in thumbnail view than in single-page view.
	
	Use these buttons to zoom in or out on the selected page. <b>NOTE:</b> Select only one page at a time to use these buttons.
	
	Use this button to rotate the page 180 degrees. <b>NOTE:</b> This button is available only in the thumbnail view.
	Use this button to delete the selected pages. <b>NOTE:</b> This button is available only in the thumbnail view.
	Use these buttons to rearrange the pages within the document. Select one or more pages and move them to the left or right. <b>NOTE:</b> These buttons are available only in the thumbnail view.
	
	Use this button to add a page to the document. The printer prompts to scan additional pages.
	Use this button to clear the changes made in the preview and start over.
	Touch this button to collapse the preview screen and return to the Copy screen.

8. When the document is ready, select [Save](#) to save the file to the USB drive.

## Use HP JetAdvantage business solutions

HP JetAdvantage solutions are workflow and printing solutions that are easy to use, and both network- and cloud-based. HP JetAdvantage solutions are designed to help businesses of all types, including healthcare, financial services, manufacturing, and public sector, manage a fleet of printers and scanners.

HP JetAdvantage Solutions include:

- HP JetAdvantage Security solutions
- HP JetAdvantage Management solutions
- HP JetAdvantage Workflow solutions
- HP JetAdvantage Mobile Printing solutions

For more information about HP JetAdvantage business workflow and printing solutions, go to [www.hp.com/go/PrintSolutions](http://www.hp.com/go/PrintSolutions).

## Additional scan tasks

Locate information on the Web for performing common scan tasks.

Go to [www.hp.com/support/pwcolormfpE77650](http://www.hp.com/support/pwcolormfpE77650), or [www.hp.com/support/pwcolormfpE77660](http://www.hp.com/support/pwcolormfpE77660), or [www.hp.com/support/pwcolorP77940mfp](http://www.hp.com/support/pwcolorP77940mfp), or [www.hp.com/support/pwcolorP77950mfp](http://www.hp.com/support/pwcolorP77950mfp), or [www.hp.com/support/pwcolorP77960mfp](http://www.hp.com/support/pwcolorP77960mfp), or [www.hp.com/support/pwcolorP77440mfp](http://www.hp.com/support/pwcolorP77440mfp).

Instructions are available for performing specific scan tasks, such as the following:

- Copy or scan pages from books or other bound documents
- Send a scanned document to a folder in the printer memory
- Copy or scan both sides of an identification card
- Copy or scan a document into a booklet format



---

# 7 Fax

Configure the fax features, and send and receive faxes using the printer.

For video assistance, see [www.hp.com/videos/PageWide](http://www.hp.com/videos/PageWide).

The following information is correct at the time of publication. For current information, see [www.hp.com/support/pwcolormfpE77650](http://www.hp.com/support/pwcolormfpE77650), or [www.hp.com/support/pwcolormfpE77660](http://www.hp.com/support/pwcolormfpE77660), or [www.hp.com/support/pwcolorP77940mfp](http://www.hp.com/support/pwcolorP77940mfp), or [www.hp.com/support/pwcolorP77950mfp](http://www.hp.com/support/pwcolorP77950mfp), or [www.hp.com/support/pwcolorP77960mfp](http://www.hp.com/support/pwcolorP77960mfp), or [www.hp.com/support/pwcolorP77440mfp](http://www.hp.com/support/pwcolorP77440mfp).

## For more information:

HP's all-inclusive help for the printer includes the following information:

- Install and configure
- Learn and use
- Solve problems
- Download software and firmware updates
- Join support forums
- Find warranty and regulatory information

# Set up fax

Set up the fax features for the printer.

## Introduction

This information applies to fax and Flow models, or to other printers when an optional analog fax accessory has been installed. Before continuing, connect the printer to a phone line (for analog fax) or to an Internet or network fax service.

## Set up fax by using the printer control panel

Configure the fax features using the control panel.

1. From the Home screen on the printer control panel, navigate to the [Settings](#) application, and then select the [Settings](#) icon.
2. Open the following menus:
  - a. [Fax](#)
  - b. [Internal Fax Modem Setup](#)



---


**NOTE:** If the [Internal Fax Modem Setup](#) menu does not appear in the menu listing, LAN or Internet fax might be enabled. When LAN or Internet fax is enabled, the analog fax accessory is disabled and the [Internal Fax Modem Setup](#) menu does not display. Only one fax feature, either LAN fax, analog fax, or Internet fax, can be enabled at a time. To use analog fax when LAN fax is enabled, use the HP Embedded Web Server to disable LAN fax.

---

3. Select the location from the list on the right side of the screen, and then select [Next](#).
4. Touch the [Company Name](#) text field, and use the keypad to type the company name.
5. Touch the [Fax Number](#) text field, and use the keypad to type the sending fax number. Select [Next](#).
6. Verify that the date and time settings are correct. Make changes as necessary, and then select [Next](#).
7. If a dialing prefix is required for sending faxes, touch the [Dialing Prefix](#) text field, and use the keypad to enter the number.
8. Review all the information on the left pane, and then select [Finish](#) to complete the fax setup.

# Change fax configurations

Change or update fax settings.

 **NOTE:** The settings configured using the control panel override any settings made in the HP Embedded Web Server.

## Fax dialing settings

Use the following steps to change the fax dialing settings.

1. From the Home screen on the printer control panel, navigate to the [Settings](#) application, and then select the [Settings](#) icon.
2. Open the following menus:
  - a. [Fax](#)
  - b. [Fax Send Settings](#)
  - c. [Fax Dialing Settings](#)
3. Configure any of the following settings, and then select [Done](#).

**Table 7-1** Fax dialing settings

Menu item	Description
<a href="#">Redial on Error</a>	The <a href="#">Redial on Error</a> feature sets the number of times a fax number will be redialed when an error occurs during a fax transmission.
<a href="#">Redial on No Answer</a>	The <a href="#">Redial on No Answer</a> setting selects the number of times the fax accessory redials if the number dialed does not answer. The number of retries is either 0 to 1 (used in the U.S.) or 0 to 2, depending on the location setting. The interval between retries is set by the <a href="#">Redial Interval</a> setting.
<a href="#">Redial on Busy</a>	The <a href="#">Redial on Busy</a> setting selects the number of times (0 through 9) the fax accessory redials a number when the number is busy. The interval between retries is set by the <a href="#">Redial Interval</a> setting.
<a href="#">Redial Interval</a>	The <a href="#">Redial Interval</a> setting selects the number of minutes between retries if the number dialed is busy or not answering, or if an error occurs.  <b>NOTE:</b> You might observe a redial message on the control panel when both the <a href="#">Redial on Busy</a> and <a href="#">Redial on No Answer</a> settings are set to off. This occurs when the fax accessory dials a number, establishes a connection, and then loses the connection. As a result of this error condition, the fax accessory performs three automatic redial attempts regardless of the redial settings. During this redial operation, a message displays on the control panel to indicate that a redial is in progress.
<a href="#">Fax Send Speed</a>	The <a href="#">Fax Send Speed</a> setting sets the modem bit rate (measured in bits per second) of the Analog Fax modem while sending a fax. <ul style="list-style-type: none"><li>• <a href="#">Fast (v.34 – 33.6k)</a></li><li>• <a href="#">Medium (v.17 – 14.4k)</a></li><li>• <a href="#">Slow (v.29 – 9.6k)</a></li></ul>
<a href="#">Line Monitor Volume</a>	Use the <a href="#">Line Monitor Volume</a> setting to control the printer's dialing volume level when sending faxes.

**Table 7-1 Fax dialing settings (continued)**

Menu item	Description
Dialing Mode	The <a href="#">Dialing Mode</a> setting sets the type of dialing that is used: either tone (touch-tone phones) or pulse (rotary-dial phones).
Dialing Prefix	The <a href="#">Dialing Prefix</a> setting allows you to enter a prefix number (such as a "9" to access an outside line) when dialing. This prefix number is automatically added to all phone numbers when dialed.
Detect Dial Tone	The <a href="#">Detect Dial Tone</a> setting determines whether the fax checks for a dial tone before sending a fax.

## General fax send settings

Use the following steps to change the fax send settings.

1. From the Home screen on the printer control panel, navigate to the [Settings](#) application, and then select the [Settings](#) icon.
2. Open the following menus:
  - a. [Fax](#)
  - b. [Fax Send Settings](#)
  - c. [General Fax Send Settings](#)
3. Configure any of the following settings, and then select [Done](#).

**Table 7-2 Fax send settings**

Menu item	Description
Fax Number Confirmation	When the <a href="#">Fax Number Confirmation</a> feature is enabled, the fax number must be entered twice to ensure that it was entered correctly. The feature is disabled by default.
PC Fax Send	Use the <a href="#">PC Fax Send</a> feature to send faxes from a PC. This feature is enabled by default.
Error Correction Mode	<p>Normally, the fax accessory monitors the signals on the telephone line while it is sending or receiving a fax. If the fax accessory detects an error during the transmission and the <a href="#">Error Correction Mode</a> setting is on, the fax accessory can request that the error portion of the fax be sent again.</p> <p>The <a href="#">Error Correction Mode</a> feature is enabled by default. You should turn it off only if you are having trouble sending or receiving a fax and if you are willing to accept the errors in the transmission and a probable quality reduction in the image. Turning off the setting might be useful when you are trying to send a fax overseas or receive one from overseas, or if you are using a satellite telephone connection.</p> <p><b>NOTE:</b> Some VoIP providers might suggest turning off the <a href="#">Error Correction Mode</a> setting. However, this is not usually necessary.</p>
Fax Header	Use the <a href="#">Fax Header</a> feature to control whether the header is appended to the top, and content is shifted down, or if the header is overlaid on top of the previous header.

## Fax receive settings

Use the following steps to change the fax receive settings.



1. From the Home screen on the printer control panel, navigate to the [Settings](#) application, and then select the [Settings](#) icon.
2. Open the following menus:
  - a. [Fax](#)
  - b. [Fax Receive Settings](#)
  - c. [Fax Receive Setup](#)
3. Configure any of the following settings, and then select [Done](#).

**Table 7-3 Fax receive settings**


Menu item	Description
<a href="#">Receive Mode</a>	<p>The <a href="#">Receive Mode</a> setting determines how the fax accessory receives fax jobs. Select one of the following options:</p> <ul style="list-style-type: none"> <li>• <a href="#">Automatic</a></li> <li>• <a href="#">TAM</a></li> <li>• <a href="#">Fax/Tel</a></li> <li>• <a href="#">Manual</a></li> </ul>
<a href="#">Rings to Answer</a>	<p>The <a href="#">Rings to Answer</a> setting determines the number of times the phone rings before the call is answered by the fax accessory.</p> <p><b>NOTE:</b> The default range for the available options for the <a href="#">Rings to Answer</a> setting is location-specific. The range of possible <a href="#">Rings to Answer</a> options is limited by location.</p> <p>If the fax accessory is not answering, and the <a href="#">Rings to Answer</a> setting is <b>1</b>, try increasing it to <b>2</b>.</p>
<a href="#">Ring Volume</a>	The <a href="#">Ring Volume</a> setting allows you to adjust the ringer volume.
<a href="#">Fax Receive Speed</a>	<p>Touch the <a href="#">Fax Receive Speed</a> drop-down menu and select one of the following options:</p> <ul style="list-style-type: none"> <li>• <a href="#">Fast (v.34 – 33.6k)</a></li> <li>• <a href="#">Medium (v.17 – 14.4k)</a></li> <li>• <a href="#">Slow (v.29 – 9.6k)</a></li> </ul>
<a href="#">Extension Phone</a>	This setting allows you use a separate telephone in conjunction with the fax functions.
<a href="#">Allow Reprinting</a>	This setting allows you to reprint received faxes.
<a href="#">Receive to PC</a>	This setting allows you to receive faxes directly to your computer.
<a href="#">Fax Polling</a>	This setting allows you to enable or disable the fax polling function.
<a href="#">Fax/Tel Ring Time</a>	This setting determines the number of times the phone rings before the fax/tel mode initiates.

## Send a fax

Use the following steps to send a fax from the printer.

1. Place the document face-down on the scanner glass, or place it face-up in the document feeder and adjust the paper guides to fit the size of the document.
2. From the Home screen on the printer control panel, navigate to the **Fax** application, and then select the **Fax** icon. You might be prompted to type a user name and password.
3. Specify the recipients using one of these methods:
  - Use the keypad to enter the recipient or recipients.  
 Touch the **Fax Recipients** text field, and then use the keypad to enter the fax number. To send to multiple fax numbers, separate the numbers with a semicolon, or select the Enter button  on the touchscreen keyboard after typing each number.
  - Use a contact list as follows:
    1. Select the Contacts button  that is next to the **Fax Recipients** field to open the Contacts screen.
    2. Select the appropriate contact list.
    3. Select a name or names from the list of contacts to add to the recipients list, and then select **Add**.
4. To load a Quick Set, select **Load**, select the Quick Set, and then select **Load** under the **Quick Sets** list.



---

 **NOTE:** **Quick Sets** are predefined settings for various types of output, such as **Text**, **Photograph**, and **High Quality**. You can select a Quick Set to view the description.

---

5. To configure settings, such as **Resolution**, **Sides**, and **Content Orientation**, select **Options** in the lower left corner, and then select the settings from the **Options** menus. Select **Done** if prompted.
6. Optional Preview: Touch the right pane of the screen to preview the document. You can use the **Expand** and **Collapse** buttons on the left side of the preview pane to expand and collapse the preview screen.

**Table 7-4** Buttons on the left side of the preview pane

Button	Description
	Expand the preview screen.
	Collapse the preview screen.

Use the buttons on the right of the screen to adjust the preview options and to rearrange, rotate, insert, or remove pages.

Table 7-5 Buttons on the right side of the preview pane

Button	Description
	Use these buttons to toggle between single-page view and thumbnail view. More options are available in thumbnail view than in single-page view.
	
	Use these buttons to zoom in or out on the selected page. <b>NOTE:</b> Select only one page at a time to use these buttons.
	
	Use this button to rotate the page 180 degrees. <b>NOTE:</b> This button is available only in the thumbnail view.
	Use this button to delete the selected pages. <b>NOTE:</b> This button is available only in the thumbnail view.
	Use these buttons to rearrange the pages within the document. Select one or more pages and move them to the left or right. <b>NOTE:</b> These buttons are available only in the thumbnail view.
	
	Use this button to add a page to the document. The printer prompts to scan additional pages.
	Use this button to clear the changes made in the preview and start over.
	Touch this button to collapse the preview screen and return to the Copy screen.

7. When the document is ready, select [Send](#) to send the fax.

## Create a fax printing schedule

Faxes print automatically upon receipt, but they can also be stored and printed on a schedule that you determine. After you create the schedule, you can enable or disable the schedule as needed.

1. From the Home screen on the printer control panel, navigate to the [Settings](#) application, and then select the [Settings](#) icon.
2. Open the following menus:
  - a. [Fax](#)
  - b. [Fax Receive Settings](#)
  - c. [Fax Printing Schedule](#)
3. Under [Incoming Fax Options](#), select [Use Schedule](#).
4. Select [New Event](#).
5. Select an option under [Event Type](#).
  - [Begin Printing](#)
  - [Begin Storing](#)
6. Choose a time and the day. You can select multiple days.
7. Select [Save](#). To add another event, repeat steps 4 – 6.
8. Select [Done](#) to enable the fax printing schedule.





## Block incoming faxes

Use the fax block list setting to create a list of blocked phone numbers. When a fax is received from a blocked phone number, the fax is not printed and is immediately deleted from memory.


### Create a list of blocked fax numbers

Use the following steps to create the list of fax numbers to block.

1. From the Home screen on the printer control panel, navigate to the [Settings](#) application, and then select the [Settings](#) icon.
2. Open the following menus:
  - a. [Fax](#)
  - b. [Fax Receive Settings](#)
  - c. [Blocked Fax Numbers](#)
3. Use one of the following options to add a number to the list:
  - Select [Add Last Sender](#).
  - Select the [New Fax Number](#) field, type the number on the keypad that appears, and then select the Enter button . To add additional numbers, type the number and select the Enter button .
4. Select [Done](#).

### Delete numbers from the list of blocked fax numbers

Use the following steps to remove numbers from the list of blocked fax numbers.

1. From the Home screen on the printer control panel, navigate to the [Settings](#) application, and then select the [Settings](#) icon.
2. Open the following menus:
  - a. [Fax](#)
  - b. [Fax Receive Settings](#)
  - c. [Blocked Fax Numbers](#)
3. Select one or more existing fax numbers in the list, or select [Select All](#) if you want to remove all the numbers.
4. Select the Trash button , and then select [Delete](#) on the confirmation prompt.

## Additional fax tasks

Locate information on the Web for performing common fax tasks.

Go to [www.hp.com/support/pwcolormfpE77650](http://www.hp.com/support/pwcolormfpE77650), or [www.hp.com/support/pwcolormfpE77660](http://www.hp.com/support/pwcolormfpE77660), or [www.hp.com/support/pwcolorP77940mfp](http://www.hp.com/support/pwcolorP77940mfp), or [www.hp.com/support/pwcolorP77950mfp](http://www.hp.com/support/pwcolorP77950mfp), or [www.hp.com/support/pwcolorP77960mfp](http://www.hp.com/support/pwcolorP77960mfp), or [www.hp.com/support/pwcolorP77440mfp](http://www.hp.com/support/pwcolorP77440mfp).

Instructions are available for fax tasks, such as the following:

- Create and manage fax speed dial lists
- Configure fax billing codes
- Use a fax printing schedule
- Block incoming faxes
- Fax archiving and forwarding

---

## 8 Manage the printer

Utilize management tools, configure security and energy-conservation settings, and manage firmware updates for the printer.

For video assistance, see [www.hp.com/videos/PageWide](http://www.hp.com/videos/PageWide).

The following information is correct at the time of publication. For current information, see [www.hp.com/support/pwcolormfpE77650](http://www.hp.com/support/pwcolormfpE77650), or [www.hp.com/support/pwcolormfpE77660](http://www.hp.com/support/pwcolormfpE77660), or [www.hp.com/support/pwcolorP77940mfp](http://www.hp.com/support/pwcolorP77940mfp), or [www.hp.com/support/pwcolorP77950mfp](http://www.hp.com/support/pwcolorP77950mfp), or [www.hp.com/support/pwcolorP77960mfp](http://www.hp.com/support/pwcolorP77960mfp), or [www.hp.com/support/pwcolorP77440mfp](http://www.hp.com/support/pwcolorP77440mfp).

### For more information:

HP's all-inclusive help for the printer includes the following information:

- Install and configure
- Learn and use
- Solve problems
- Download software and firmware updates
- Join support forums
- Find warranty and regulatory information

# Advanced configuration with the HP Embedded Web Server (EWS)

Use the HP Embedded Web Server to manage advanced printing functions.

## Introduction

Use the HP Embedded Web Server to manage printing functions from a computer instead of the printer control panel.

- View printer status information
- Determine the remaining life for all supplies and order new ones
- View and change tray configurations
- View and change the printer control-panel menu configuration
- View and print internal pages
- Receive notification of printer and supplies events
- View and change network configuration

The HP Embedded Web Server works when the printer is connected to an IP-based network. The HP Embedded Web Server does not support IPX-based printer connections. Internet access is not needed to open and use the HP Embedded Web Server.

When the printer is connected to the network, the HP Embedded Web Server is automatically available.





---

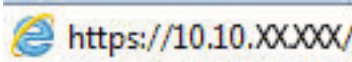
**NOTE:** The HP Embedded Web Server is not accessible beyond the network firewall.

---

## How to access the HP Embedded Web Server (EWS)

Use the following steps to open the EWS.

1. From the Home screen on the printer control panel, touch the Information icon , and then touch the Ethernet icon  to display the IP address or host name.
2. Open a web browser, and in the address line, type the IP address or host name exactly as it displays on the printer control panel. Press the **Enter** key on the computer keyboard. The EWS opens.



---

**NOTE:** If the web browser displays a message indicating that accessing the website might not be safe, select the option to continue to the website. Accessing this website will not harm the computer.

---

To use the HP Embedded Web Server, the browser must meet the following requirements:

### Windows® 7

- Internet Explorer (version 8.x or greater)
- Google Chrome (version 34.x or greater)
- Firefox (version 20.x or greater)

### Windows® 8 or greater

- Internet Explorer (version 9.x or greater)
- Google Chrome (version 34.x or greater)
- Firefox (version 20.x or greater)

### macOS

- Safari (version 5.x or greater)
- Google Chrome (version 34.x or greater)

### Linux

- Google Chrome (version 34.x or greater)
- Firefox (version 20.x or greater)

## HP Embedded Web Server features

Learn about the HP Embedded Web Server (EWS) features available on each tab.

Figure 8-1 EWS Tabs

The screenshot shows the HP Embedded Web Server interface. At the top, there is a navigation bar with tabs: Information, General, Copy/Print, Scan/Digital Send, Fax, Supplies, Troubleshooting, Security, HP Web Services, and Networking. The 'Information' tab is selected. On the left, a sidebar menu lists various pages: Device Status, Job Log, Configuration Page, Supplies Status Page, Event Log Page, Usage Page, Device Information, Control Panel Snapshot, Remote Control-Panel, Print, Printable Reports and Pages, and Open Source Licenses. The main content area is titled 'Device Status' and includes sections for 'Sleep mode on', 'Supplies', and 'Media'. The 'Supplies' section shows four cartridges with their estimated levels: Yellow (80%), Magenta (80%), Cyan (80%), and Black (70%). The 'Media' section is a table with the following data:

Input/Output	Status	Capacity	Size	Type
Tray 1	Depleted	100 sheets	Legal (8.5x14)	Plain
Tray 2	30 - 70%	520 sheets	Letter (8.5x11)	Plain
Tray 3	30 - 70%	520 sheets	Letter (8.5x11)	Plain
Tray 4	30 - 70%	520 sheets	Letter (8.5x11)	Plain

**NOTE:** Copy/Print, Scan/Digital Send, and Fax tabs only appear for multi-function printers (MFPs). A Print tab appears for single-function printers (SFPs).

## Information tab

Refer to the table for settings in the Information tab.

Table 8-1 HP Embedded Web Server Information tab

Menu	Description
Device Status	Shows the printer status and shows the estimated life remaining of HP supplies. The page also shows the type and size of paper set for each tray. To change the default settings, click the <b>Change Settings</b> link.
Job Log	Provides a list of the jobs that have been processed.
Configuration Page	Shows the information found on the configuration page.
Supplies Status Page	Shows the status of the supplies for the printer.
Event Log Page	Shows a list of all printer events and errors. Use the <b>HP Instant Support</b> link (in the <b>Other Links</b> area on all HP Embedded Web Server pages) to connect to a set of dynamic web pages that help solve problems. These pages also show additional services available for the printer.
Usage Page	Shows a summary of the number of pages the printer has printed, grouped by size, type, and paper print path.
Device Information	Shows the printer network name, address, and model information. To customize these entries, click the <b>Device Information</b> menu on the <b>General</b> tab.
Control Panel Snapshot	Shows an image of the current screen on the control panel display.

**Table 8-1 HP Embedded Web Server Information tab (continued)**

Menu	Description
Remote Control-Panel	Provides a way to troubleshoot or manage the printer from a browser window on a desktop or laptop.
Print	Allows the user to send a print-ready file to the printer to be printed.
Printable Reports and Pages	Lists the internal reports and pages for the printer. Select one or more items to print.
Open Source Licenses	Shows a summary of the licenses for open source software programs that can be used with the printer.

## General tab

Refer to the table for settings in the **General** tab.

**Table 8-2 HP Embedded Web Server General tab**

Menu	Description
Control Panel Customization	Reorder, show, or hide features on the control-panel display.  Change the default display language and keyboard layouts.
Quick Sets	Configure jobs that are available in the <b>Quick Sets</b> area of the Home screen on the printer control panel.
Alerts	Set up email alerts for various printer and supplies events.
Control Panel Settings App	Shows the Settings app options that are available on the printer control panel.
General Settings	Configure how the printer recovers from jams and other general printer settings.
AutoSend	Configure the printer to send automated emails regarding printer configuration and supplies to specific email addresses.
Edit Other Links	Add or customize a link to another website. This link displays in the footer area on all HP Embedded Web Server pages.
Ordering Information	Enter information about ordering replacement toner cartridges. This information displays on the supplies status page.
Device Information	Name the printer and assign an asset number to it. Enter the name of the primary contact who will receive information about the printer.
Language	Set the language in which to display the HP Embedded Web Server information.
Firmware Upgrade	Download and install printer firmware upgrade files.
Date/Time Settings	Set the date and time or synchronize with a network time server.
Energy Settings	Set or edit a wake time, sleep time, and sleep delay for the printer. Set a different schedule for each day of the week and for holidays.  Set which interactions with the printer cause it to wake from sleep mode.
Back up and Restore	Create a backup file that contains printer and user data. If necessary, use this file to restore data to the printer.
Reset Factory Settings	Restore printer settings to the factory defaults.
Solution Installer	Install or remove third-party software packages that extend or modify the functionality of the printer.

**Table 8-2** HP Embedded Web Server General tab (continued)

Menu	Description
Job Statistics Settings	Provides connection information about third-party job-statistics services, or enables local serverless device job accounting.
Quota Settings	Provides connection information about third-party job-quota services, or enables local device quota service.

## Other Links list

Configure which links display in the footer of the HP Embedded Web Server by using the **Edit Other Links** menu on the **General** tab.

 **NOTE:** The following are the default links.

**Table 8-3** HP Embedded Web Server Other Links list

Menu	Description
HP Instant Support	Connect to the HP website to find solutions to printer problems.
Shop for Supplies	Connect to the HP website for information on purchasing original HP supplies, such as cartridges and paper.
Product Support	Connect to the support site for the printer to search for help on various topics.

## Copy/Print tab

Refer to the table for settings in the **Copy/Print** tab.

**Table 8-4** HP Embedded Web Server Copy/Print tab

Menu	Description
Print from USB Drive Settings	Enable or disable the <a href="#">Print from USB Drive</a> menu on the control panel.
Manage Stored Jobs	Enable or disable the ability to store jobs in the printer memory. Configure job-storage options.
Default Print Options	Configure the default options for print jobs.
Restrict Color (Color printers only)	Permit or restrict color printing and copying. Specify permissions for individual users or for jobs that are sent from specific software programs.
PCL and PostScript Settings	Adjust the PCL and PostScript settings for all print jobs, including copy jobs and received faxes.
Print Quality	Configure the print quality settings, including color adjustment, image registration, and allowed paper types.
Copy Settings	Configure the default options and Quick Sets for copy jobs.  <b>NOTE:</b> If job-specific copy setting options are not set from the control panel at the start of a job, the default settings will be used for the job.



**Table 8-4** HP Embedded Web Server Copy/Print tab (continued)

Menu	Description
Expert Copy	Enable or disable Expert Copy and set the initial copy view.  The Expert Copy feature is available only on some HP MFPs with larger control panels, and is available in FutureSmart 4 firmware 24.7.3 release or later.
Manage Trays	Configure settings for paper trays.
Manage Stapler/Stacker	Configure settings for the stapler/stacker for printers that have this feature.

## Scan/Digital Send tab

Refer to the table for settings in the **Scan/Digital Send** tab.

**Table 8-5** HP Embedded Web Server Scan/Digital Send tab

Menu	Description
Email Setup	Configure the default email settings for digital sending, including the following: <ul style="list-style-type: none"><li>• Settings for the outgoing mail (SMTP) server</li><li>• Settings for Email Quick Sets jobs</li><li>• Default message settings, such as the "From" address and the subject line</li><li>• Settings for digital signatures and encryption</li><li>• Settings for email notifications</li><li>• Default scan settings for email jobs</li><li>• Default file settings for email jobs</li></ul>
Scan to Network Folder	Configure the network folder settings for digital sending, including the following: <ul style="list-style-type: none"><li>• Settings for Quick Sets jobs saved in a network folder</li><li>• Settings for notifications</li><li>• Default scan settings for jobs saved in a network folder</li><li>• Default file settings for jobs saved in a network folder</li></ul>
Scan to SharePoint®	Configure the SharePoint settings for digital sending, including the following: <ul style="list-style-type: none"><li>• Settings for Quick Sets jobs saved in a document library on the SharePoint site</li><li>• Default settings for jobs saved in a document library on the SharePoint site</li></ul>
Scan to USB Drive	Configure the USB settings for digital sending, including the following: <ul style="list-style-type: none"><li>• Settings for Quick Sets jobs saved on a USB flash drive</li><li>• Settings for notifications</li><li>• Default scan settings for jobs saved on a USB flash drive</li><li>• Default file settings for jobs saved on a USB flash drive</li></ul>

**Table 8-5 HP Embedded Web Server Scan/Digital Send tab (continued)**

Menu	Description
<b>Contacts</b>	Manage contacts, including the following: <ul style="list-style-type: none"> <li>• Add email addresses into the printer one at a time.</li> <li>• Import a large list of frequently-used email addresses on to the printer all at once, rather than adding them one at a time.</li> <li>• Export contacts from the printer into a .CSV file on the computer to use as a data backup, or import the records onto another HP printer.</li> <li>• Edit email addresses that have already been saved in the printer.</li> </ul>
<b>Preferences</b>	Manage general scanning settings.
<b>Email and Scan to Network Folder Quick Setup Wizards</b>	Configure the printer to send scanned images as email attachments.  Configure the printer to save scanned images to network-folder Quick Sets. Quick Sets provide easy access to files saved on the network.
<b>Digital Sending Software Setup</b>	Configure settings related to using optional Digital Sending software.

## Fax tab

Refer to the table for settings in the **Fax** tab.

**Table 8-6 HP Embedded Web Server Fax tab**

Menu	Description
<b>Fax Send Setup</b>	Configure settings for sending faxes, including the following: <ul style="list-style-type: none"> <li>• Default settings for outgoing faxes</li> <li>• Settings for fax Quick Sets jobs</li> <li>• Settings for notifications</li> <li>• Default setting for sending faxes using the internal fax modem</li> <li>• Settings for using a LAN fax service</li> <li>• Settings for using an Internet fax service</li> </ul>
<b>Fax Speed Dials</b>	Manage speed dials, including the following: <ul style="list-style-type: none"> <li>• Import .CSV files containing email addresses, fax numbers, or user records, so that they can be accessed on this printer.</li> <li>• Export email, fax, or user records from the printer into a file on the computer to use as a data backup, or import the records onto another HP printer.</li> </ul>
<b>Fax Receive Setup</b>	Configure default print options for incoming faxes, and set up a fax printing schedule.
<b>Fax Archive and Forwarding</b>	Enable or disable fax archiving and fax forwarding, and configure basic settings for each: <ul style="list-style-type: none"> <li>• Fax archiving is a method to send a copy of all incoming and outgoing faxes to an email address, a network folder, or an FTP server.</li> <li>• Fax forwarding is a method to forward incoming faxes to a different fax device.</li> </ul>
<b>Fax Activity Log</b>	Contains a list of the faxes that have been sent from or received by this printer.

## Supplies tab

Refer to the table for settings in the **Supplies** tab.

**Table 8-7** HP Embedded Web Server Supplies tab

Menu	Description
Manage Supplies	Configure how the printer reacts when supplies reach a Very Low state.

## Troubleshooting tab

Refer to the table for settings in the **Troubleshooting** tab.

**Table 8-8** HP Embedded Web Server Troubleshooting tab

Menu	Description
General Troubleshooting	Use the following options as appropriate: <ul style="list-style-type: none"><li>• <b>Reports and Tests</b> area: Select and print several types of reports and tests. Some reports can be viewed in the EWS by clicking the <b>View</b> button.</li><li>• <b>Fax Tools</b> area: Configure settings for fax troubleshooting. (MFP and Digital Sender products with HP analog fax accessory only)</li><li>• <b>OXPD Troubleshooting</b> area: Enable or disable the <b>Allow a Non-Secure Connection for Web Services</b> option</li><li>• <b>Auto Recovery</b> area: Enable or disable the <b>Enable Auto Recovery</b> option, which allows the printer to auto recover from errors that might require the power to be turned off and on (for example, a 49 error).</li></ul>
Online Help	Link to HP cloud-based online help to assist in troubleshooting printing issues.
Diagnostic Data	Export printer information to a file that can be useful for HP technical support to use for detailed problem analysis. <b>NOTE:</b> This item is available only if an administrator password is set from the <b>Security</b> tab.
Calibration/Cleaning (Color LaserJet printers only)	Enable the automatic cleaning feature, create and print the cleaning page, and select an option to calibrate the printer immediately.
Reset Factory Settings	Restore printer settings to factory defaults.
Firmware Upgrade	Download and install printer firmware upgrade files.

## Security tab

Refer to the table for settings in the **Security** tab.

**Table 8-9 HP Embedded Web Server Security tab**

Menu	Description
General Security	Settings for general security, including the following: <ul style="list-style-type: none"> <li>• Configure an administrator password to restrict access to certain features on the printer.</li> <li>• Set a custom device Service Access Code.</li> <li>• Set PJI password for processing PJI commands.</li> <li>• Set file system access and firmware upgrade security.</li> <li>• Enable or disable the Host USB port on the control panel or the USB connectivity port on the formatter for printing directly from a computer.</li> <li>• View the status of all security settings.</li> </ul>
Account Policy	Enable administrator account settings.
Access Control	Configure access to printer functions for specific individuals or groups, and select the method individuals use to sign in to the printer.
Protect Stored Data	Configure and manage the internal storage for the printer.  Configure settings for jobs that are stored on the printer internal storage.
Manage Remote Apps	Manage or whitelist remote apps by importing or deleting certificates that allow devices to use this product.
Certificate Management	Install and manage security certificates for access to the printer and the network.
Email Domain Restriction	If email functionality is enabled, administrators can limit the email addresses to which the printer can send messages.
Web Service Security	Allow resources on this printer to be accessed by web pages from different domains. If no sites are added to the list, then all sites are trusted.
Self Test	Verify that the security functions are running according to expected system parameters.

## HP Web Services tab

Use the **HP Web Services** tab to configure and enable HP Web Services for this printer. It is necessary to Enable HP Web Services to use the HP ePrint feature.

**Table 8-10 HP Embedded Web Server HP Web Services tab**

Menu	Description
Web Services Setup	Connect this printer to HP Connected on the web by enabling HP Web Services.
Web Proxy	Configure a proxy server if there are issues enabling HP Web Services or connecting the printer to the Internet.
HP JetAdvantage	Access solutions that extend the capabilities of the printer
Smart Cloud Print	Enable Smart Cloud Print, which allows access to web-based apps that extend the capabilities of the printer.

## Networking tab

Use the **Networking** tab to configure and secure network settings for the printer when it is connected to an IP-based network. This tab does not display if the printer is connected to other types of networks.

**Table 8-11** HP Embedded Web Server Networking tab > Configuration settings

Menu	Description
Wireless Station	Configure the initial wireless settings.  <b>NOTE:</b> The configuration options available depend on the print server model.
Wi-Fi Direct	Configure Wi-Fi Direct settings for printers that include embedded Wi-Fi Direct Print and NFC printing or that have a wireless accessory installed.  <b>NOTE:</b> The configuration options available depend on the print server model.
TCP/IP Settings	Configure TCP/IP settings for IPv4 and IPv6 networks.  <b>NOTE:</b> The configuration options available depend on the print server model.
Network Settings	Configure IPX/SPX, AppleTalk, DLC/LLC, and SNMP settings, depending on the print server model.
Other Settings	Configure general printing protocols and services supported by the print server. The available options depend on the print server model, but can include firmware update, LPD queues, USB settings, support information, and refresh rate.
AirPrint	Enable, set up, or disable network printing from Apple-supported printers.
Select Language	Change the language displayed by the HP Embedded Web Server. This page displays if the web pages support multiple languages. Optionally, select supported languages through language-preference settings in the browser.
Select Location	Select a country/region for the printer.

**Table 8-12** HP Embedded Web Server Networking tab > Google Cloud Print settings

Menu	Description
Setup	Set up Google Cloud Print options.
Web Proxy	Configure proxy settings.

**Table 8-13** HP Embedded Web Server Networking tab > Security settings

Menu	Description
Settings	View and restore current security settings to factory-default values.  Configure security settings using the Security Configuration Wizard.  <b>NOTE:</b> Do not use the Security Configuration Wizard to configure security settings if using network-management applications, such as HP Web Jetadmin.
Authorization	Control configuration management and use of this printer, including limiting host access to this printer through an Access Control List (ACL) (for selected print servers on IPv4 networks only).
Secure Communication	Configure Transport Layer Security (TLS) protocol and encryption options.

**Table 8-13 HP Embedded Web Server Networking tab > Security settings (continued)**

Menu	Description
Mgmt. Protocols	<p>Configure and manage security protocols for this printer, including the following:</p> <ul style="list-style-type: none"> <li>• Set the security management level for the HP Embedded Web Server, and control traffic over HTTP and HTTPS.</li> <li>• Configure the SNMP (Simple Network Management Protocol) operation. Enable or disable the SNMP v1/v2c or SNMP v3 agents on the print server.</li> <li>• Control access through protocols that may not be secure, such as printing protocols, print services, discovery protocols, name resolution services, and configuration-management protocols.</li> </ul>
802.1X Authentication	<p>Configure 802.1X authentication settings on the Jetdirect print server as required for client authentication on the network, and reset the 802.1X authentication settings to factory-default values.</p> <p><b>CAUTION:</b> When changing the 802.1X authentication settings; the printer might lose its connection. To reconnect, it might be necessary to reset the print server to a factory-default state and reinstall the printer.</p>
IPsec/Firewall	View or configure a Firewall policy or an IPsec/Firewall policy.
Announcement Agent	Enable or disable the HP Device Announcement Agent, set the configuration server, and configure mutual authentication using certificates.

**Table 8-14 HP Embedded Web Server Networking tab > Diagnostics settings**

Menu	Description
Network Statistics	Display network statistics that are collected and stored on the HP Jetdirect print server.
Protocol Info	View a list of network-configuration settings on the HP Jetdirect print server for each protocol.
Configuration Page	View the HP Jetdirect configuration page, which contains status and configuration information.

# Configure IP network settings

Use the EWS to configure the printer network settings.



## Printer sharing disclaimer

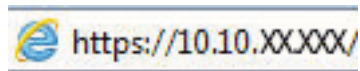
Review the following disclaimer.


HP does not support peer-to-peer networking, as the feature is a function of Microsoft operating systems and not of the HP printer drivers. Go to Microsoft at [www.microsoft.com](http://www.microsoft.com).

## View or change network settings

Use the HP Embedded Web Server to view or change IP configuration settings.

1. Open the HP Embedded Web Server (EWS):
  - a. From the Home screen on the printer control panel, touch the Information icon , and then touch the Ethernet icon  to display the IP address or host name.
  - b. Open a web browser, and in the address line, type the IP address or host name exactly as it displays on the printer control panel. Press the **Enter** key on the computer keyboard. The EWS opens.





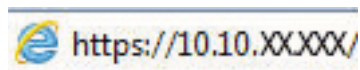
 **NOTE:** If the web browser displays a message indicating that accessing the website might not be safe, select the option to continue to the website. Accessing this website will not harm the computer.


2. Click the **Networking** tab to obtain network information. Change settings as needed.

## Rename the printer on a network

To rename the printer on a network so that it can be uniquely identified, use the HP Embedded Web Server.

1. Open the HP Embedded Web Server (EWS):
  - a. From the Home screen on the printer control panel, touch the Information icon , and then touch the Ethernet icon  to display the IP address or host name.
  - b. Open a web browser, and in the address line, type the IP address or host name exactly as it displays on the printer control panel. Press the **Enter** key on the computer keyboard. The EWS opens.



 **NOTE:** If the web browser displays a message indicating that accessing the website might not be safe, select the option to continue to the website. Accessing this website will not harm the computer.

2. Open the **General** tab.
3. On the Device Information page, the default printer name is in the **Device Name** field. You can change this name to uniquely identify this printer.

 **NOTE:** Completing the other fields on this page is optional.

4. Click the **Apply** button to save the changes.

## Manually configure IPv4 TCP/IP parameters from the control panel

Use the control-panel [Settings](#) menus to manually set an IPv4 address, subnet mask, and default gateway.

1. From the Home screen on the printer control panel, navigate to the [Settings](#) application, and then select the [Settings](#) icon.
2. Open the following menus:
  - a. [Networking](#)
  - b. [Ethernet](#)
  - c. [TCP/IP](#)
  - d. [IPV 4 Settings](#)
  - e. [Config Method](#)
3. Select the [Manual](#) option, and then touch the [Save](#) button.
4. Open the [Manual Settings](#) menu.
5. Touch the [IP Address](#), [Subnet Mask](#), or [Default Gateway](#) option.
6. Touch the first field to open a keypad. Enter the correct digits for the field, and then touch the [OK](#) button.  
Repeat the process for each field, and then touch the [Save](#) button.

## Manually configure IPv6 TCP/IP parameters from the control panel

Use the control-panel [Settings](#) menus to manually set an IPv6 address.


1. From the Home screen on the printer control panel, navigate to the [Settings](#) application, and then select the [Settings](#) icon.
2. To enable manual configuration, open the following menus:
  - a. [Networking](#)
  - b. [Ethernet](#)
  - c. [TCP/IP](#)
  - d. [IPV6 Settings](#)
3. Select [Enable](#), and then select [On](#).
4. Select the [Enable Manual Settings](#) option, and then touch the [Done](#) button.
5. To configure the address, open the [Address](#) menu, and then touch the field to open a keypad.
6. Use the keypad to enter the address, and then touch the [OK](#) button.
7. Touch [Save](#).

## Link speed and duplex settings

Use the following steps to make changes to link speed and duplex settings.




---

 **NOTE:** This information applies only to Ethernet networks. It does not apply to wireless networks.

---

The link speed and communication mode of the print server must match the network hub. For most situations, leave the printer in automatic mode. Incorrect changes to the link speed and duplex settings might prevent the printer from communicating with other network devices. To make changes, use the printer control panel.

 **NOTE:** The printer setting must match the setting for the network device (a network hub, switch, gateway, router, or computer).

 **NOTE:** Making changes to these settings causes the printer to turn off and then on. Make changes only when the printer is idle.

---

1. From the Home screen on the printer control panel, navigate to the [Settings](#) application, and then select the [Settings](#) icon.
2. Open the following menus:
  - a. [Networking](#)
  - b. [Ethernet](#)
  - c. [Link Speed](#)
3. Select one of the following options:
  - [Auto](#): The print server automatically configures itself for the highest link speed and communication mode allowed on the network.
  - [10T Half](#): 10 megabytes per second (Mbps), half-duplex operation
  - [10T Full](#): 10 Mbps, full-duplex operation
  - [10T Auto](#): 10 Mbps, automatic-duplex operation
  - [100TX Half](#): 100 Mbps, half-duplex operation
  - [100TX Full](#): 100 Mbps, full-duplex operation
  - [100TX Auto](#): 100 Mbps, automatic-duplex operation
  - [1000T Full](#): 1000 Mbps, full-duplex operation
4. Touch the [Save](#) button. The printer turns off and then on.

# Printer security features

Restrict who has access to configuration settings, secure data, and prevent access to valuable hardware components.

## Introduction

The printer includes several security features to restrict who has access to configuration settings, to secure data, and to prevent access to valuable hardware components.

## Security statements

Review this important security statement.



The printer supports security standards and recommended protocols that help you keep the printer secure, protect critical information on your network, and simplify the way you monitor and maintain the printer.

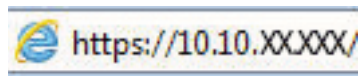
## Assign an administrator password

Assign an administrator password for access to the printer and the HP Embedded Web Server so that unauthorized users cannot change the printer settings.

### Use the HP Embedded Web Server (EWS) to set the password

Use the following steps to set a password for the printer.

1. Open the HP Embedded Web Server (EWS):
  - a. From the Home screen on the printer control panel, touch the Information icon , and then touch the Ethernet icon  to display the IP address or host name.
  - b. Open a web browser, and in the address line, type the IP address or host name exactly as it displays on the printer control panel. Press the **Enter** key on the computer keyboard. The EWS opens.




 **NOTE:** If the web browser displays a message indicating that accessing the website might not be safe, select the option to continue to the website. Accessing this website will not harm the computer.

2. Click the **Security** tab.
3. Open the **General Security** menu.
4. In the area labeled **Set the Local Administrator Password**, enter the name to associate with the password in the **Username** field.
5. Enter the password in the **New Password** field, and then enter it again in the **Verify Password** field.

 **NOTE:** To change an existing password, first enter the existing password in the **Old Password** field.

6. Click the **Apply** button.

 **IMPORTANT:** Make note of the password and store it in a safe place. The administrator password cannot be recovered. If the administrator password is lost or forgotten, contact HP Support for the assistance required to completely reset the printer.

[Click here to contact HP Support about resetting the printer password.](#)

### Provide user access credentials at the printer control panel

Use the following steps to sign into the control panel.

Some features on the printer control panel can be secured so that unauthorized people cannot use them. When a feature is secured, the printer prompts you to sign in before you can use it. You can also sign in without waiting for a prompt by selecting [Sign In](#) from the printer control panel.

Typically, the credentials for signing in to the printer are the same as for signing in to the network. Consult the network administrator for this printer if you have questions about which credentials to use.

1. From the Home screen on the printer control panel, select [Sign In](#).
2. Follow the prompts to enter the credentials.

 **NOTE:** To maintain security for the printer, select [Sign Out](#) when you have finished using the printer.

## IP Security

IP Security (IPsec) is a set of protocols that control IP-based network traffic to and from the printer. IPsec provides host-to-host authentication, data integrity, and encryption of network communications.

For printers that are connected to the network and have an HP Jetdirect print server, you can configure IPsec by using the **Networking** tab in the HP Embedded Web Server.

## Encryption support: HP High Performance Secure Hard Disks

The hard disk provides hardware-based encryption so you can securely store sensitive data without impacting printer performance. This hard disk uses the latest Advanced Encryption Standard (AES) and has versatile time-saving features and robust functionality.

Use the **Security** menu in the HP Embedded Web Server to configure the disk.

## Lock the formatter

The formatter has a slot that you can use to attach a security cable.

Locking the formatter prevents someone from removing valuable components from it.

# Energy-conservation settings

Learn about the energy-conservation settings that are available for the printer.

## Set the sleep timer and configure the printer to use 2 watts or less of power

The sleep settings affect how much power the printer uses, the wake/sleep time, how quickly the printer enters sleep mode, and how quickly the printer wakes up from sleep mode.

To configure the printer to use 2 watts or less of power while in sleep mode, enter times for both the [Sleep after Inactivity](#) and [Auto Off after sleep](#) settings.

1. From the Home screen on the printer control panel, select [Settings](#).
2. Open the following menus:
  - [General](#)
  - [Energy Settings](#)
  - [Sleep Settings](#)
3. Select [Sleep after Inactivity](#) to specify the number of minutes the printer is inactive before it enters sleep mode. Enter the appropriate time period.
4. Select [Auto Off after sleep](#) to put the printer into a deeper power save mode after a period of sleep. Enter the appropriate time period.



---

**NOTE:** By default, the printer will wake from Auto Off in response to any activity other than USB or Wi-Fi. For greater energy settings, you can set it to wake only to the power button by selecting [Shut down \(wake on power button only\)](#).

---

5. Select [Done](#) to save the settings.

## Set the sleep schedule

Use the [Sleep Schedule](#) feature to configure the printer to automatically wake or go into Sleep mode at specific times on specific days of the week.

1. From the Home screen on the printer control panel, navigate to the [Settings](#) application, and then select the [Settings](#) icon.
2. Open the following menus:
  - a. [General](#)
  - b. [Energy Settings](#)
  - c. [Sleep Schedule](#)
3. Select the [New Event](#) button, and then select the type of event to schedule: [Wake Event](#) or [Sleep Event](#).
4. For a wake or sleep event, configure the time and the days of the week for the event. Select [Save](#) to save the setting.

## HP Web Jetadmin

HP Web Jetadmin is an award-winning, industry-leading tool for efficiently managing a wide variety of networked HP products, including printers, multifunction printers, and digital senders. This single solution allows you to remotely install, monitor, maintain, troubleshoot, and secure your printing and imaging environment — ultimately increasing business productivity by helping you save time, control costs, and protect your investment.

HP Web Jetadmin upgrades are periodically made available to provide support for specific product features. Go to [www.hp.com/go/webjetadmin](http://www.hp.com/go/webjetadmin) for more information.

## Software and firmware updates

HP regularly updates features that are available in the printer firmware. To take advantage of the most current features, update the printer firmware.

Download the most recent firmware update file from the web:

Go to [www.hp.com/support/pwcolormfpE77650](http://www.hp.com/support/pwcolormfpE77650), or [www.hp.com/support/pwcolormfpE77660](http://www.hp.com/support/pwcolormfpE77660), or [www.hp.com/support/pwcolorP77940mfp](http://www.hp.com/support/pwcolorP77940mfp), or [www.hp.com/support/pwcolorP77950mfp](http://www.hp.com/support/pwcolorP77950mfp), or [www.hp.com/support/pwcolorP77960mfp](http://www.hp.com/support/pwcolorP77960mfp), or [www.hp.com/support/pwcolorP77440mfp](http://www.hp.com/support/pwcolorP77440mfp). Click **Software, Drivers and Firmware**.

---

## 9 Solve problems

Troubleshoot problems with the printer. Locate additional resources for help and technical support.

For video assistance, see [www.hp.com/videos/PageWide](http://www.hp.com/videos/PageWide).


The following information is correct at the time of publication. For current information, see [www.hp.com/support/pwcolormfpE77650](http://www.hp.com/support/pwcolormfpE77650), or [www.hp.com/support/pwcolormfpE77660](http://www.hp.com/support/pwcolormfpE77660), or [www.hp.com/support/pwcolorP77940mfp](http://www.hp.com/support/pwcolorP77940mfp), or [www.hp.com/support/pwcolorP77950mfp](http://www.hp.com/support/pwcolorP77950mfp), or [www.hp.com/support/pwcolorP77960mfp](http://www.hp.com/support/pwcolorP77960mfp), or [www.hp.com/support/pwcolorP77440mfp](http://www.hp.com/support/pwcolorP77440mfp).

### For more information:

HP's all-inclusive help for the printer includes the following information:

- Install and configure
- Learn and use
- Solve problems
- Download software and firmware updates
- Join support forums
- Find warranty and regulatory information


## Control panel help system

The printer has a built-in Help system that explains how to use each screen. To open the Help system, touch the Help button  in the upper-right corner of the screen.



For some screens, the Help opens to a global menu where you can search for specific topics. You can browse through the menu structure by touching the buttons in the menu.

Some Help screens include animations that show specific procedures, such as clearing paper jams.

If the printer alerts of an error or warning, touch the Help button  to open a message that describes the problem. The message also contains instructions to help solve the problem.



# Reset factory settings

Resetting the printer settings to the factory-set defaults can help resolve problems.

## Introduction

Use one of the following methods to reset the printer settings to the original settings from the factory.

### Method one: Reset factory settings from the printer control panel

Use the printer control panel to restore the settings to their original values.

1. From the Home screen on the printer control panel, navigate to the [Settings](#) application, and then select the [Settings](#) icon.
2. Open the following menus:
  - a. [General](#)
  - b. [Reset Factory Settings](#)
3. Select [Reset](#).

A verification message advises that completing the reset function might result in loss of data.
4. Select [Reset](#) to complete the process.





---

**NOTE:** The printer restarts automatically after the reset operation completes.

---

### Method two: Reset factory settings from the HP Embedded Web Server (network-connected printers only)

Use the HP EWS to reset the printer settings to the original settings.

1. On the printer control panel, select the Information button , and then select the Network icon  to display the IP address or host name.
2. Open the **General** tab.
3. On the left side of the screen, click **Reset Factory Settings**.
4. Click the **Reset** button.



---

**NOTE:** The printer restarts automatically after the reset operation completes.

---

## A “Cartridge is low” or “Cartridge is very low” message displays on the printer control panel

Review the possible solutions to this issue.

**Cartridge is low:** The printer indicates when a cartridge level is low. Actual cartridge life remaining may vary. Consider having a replacement available to install when print quality is no longer acceptable. The cartridge does not need to be replaced now.

**Cartridge is very low:** The printer indicates when the cartridge level is very low. Actual cartridge life remaining may vary. Consider having a replacement available to install when print quality is no longer acceptable. The cartridge does not need to be replaced now unless the print quality is no longer acceptable.

HP's Premium Protection Warranty expires near the end of useable cartridge life. Check the Supplies Status Page or the HP Embedded Web Server (EWS) for the status.

# Printer does not pick up paper or misfeeds

Use this information if the printer is not picking up paper from the tray or is picking up multiple sheets of paper at one time.

## Introduction


The following solutions can help solve problems if the printer is not picking up paper from the tray or is picking up multiple sheets of paper at one time. Either of these situations can result in paper jams.

## The printer does not pick up paper

If the printer does not pick up paper from the tray, try these solutions:

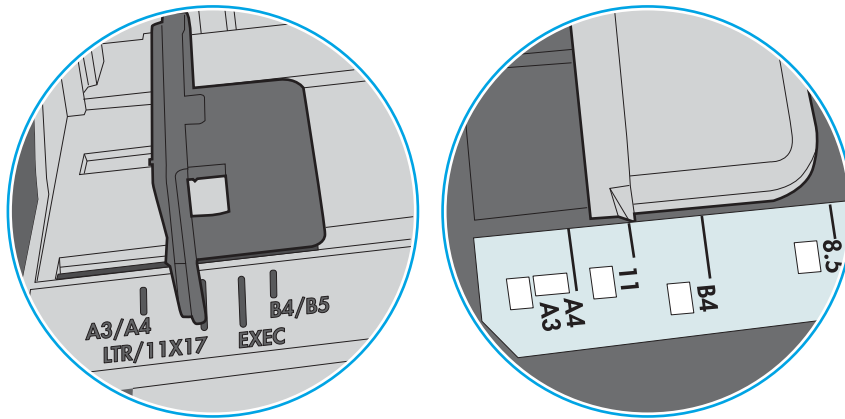
1. Open the printer and remove any jammed sheets of paper. Verify that no torn remnants of paper remain inside the printer.
2. Load the tray with the correct size of paper for the job.
3. Make sure the paper size and type are set correctly on the printer control panel.

4. Make sure the paper guides in the tray are adjusted correctly for the size of paper. Adjust the guides to the appropriate indentation in the tray. The arrow on the tray guide should line up exactly with the marking on the tray.

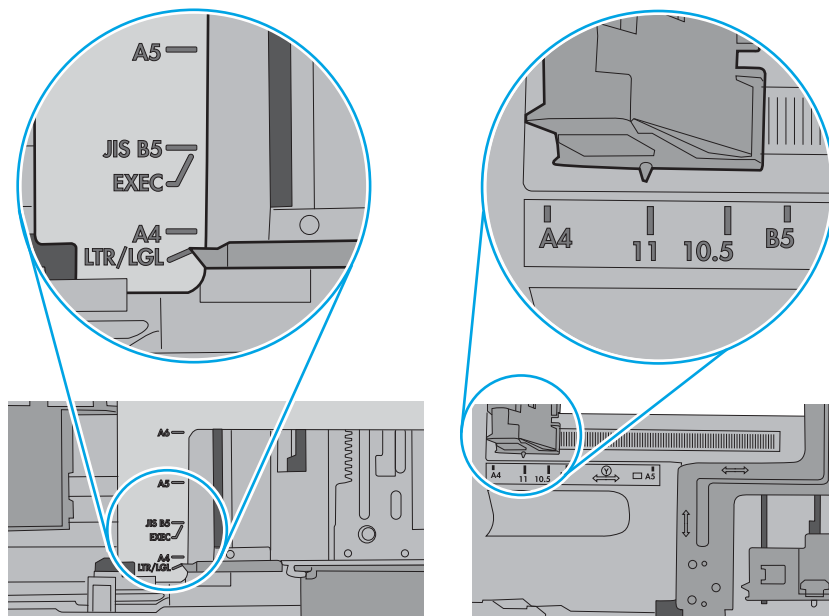
 **NOTE:** Do not adjust the paper guides tightly against the paper stack. Adjust them to the indentations or markings in the tray.

The following images show examples of the paper-size indentations in the trays for various printers. Most HP printers have markings similar to these.

**Figure 9-1** Size markings for Tray 1 or the multipurpose tray



**Figure 9-2** Size markings for cassette trays

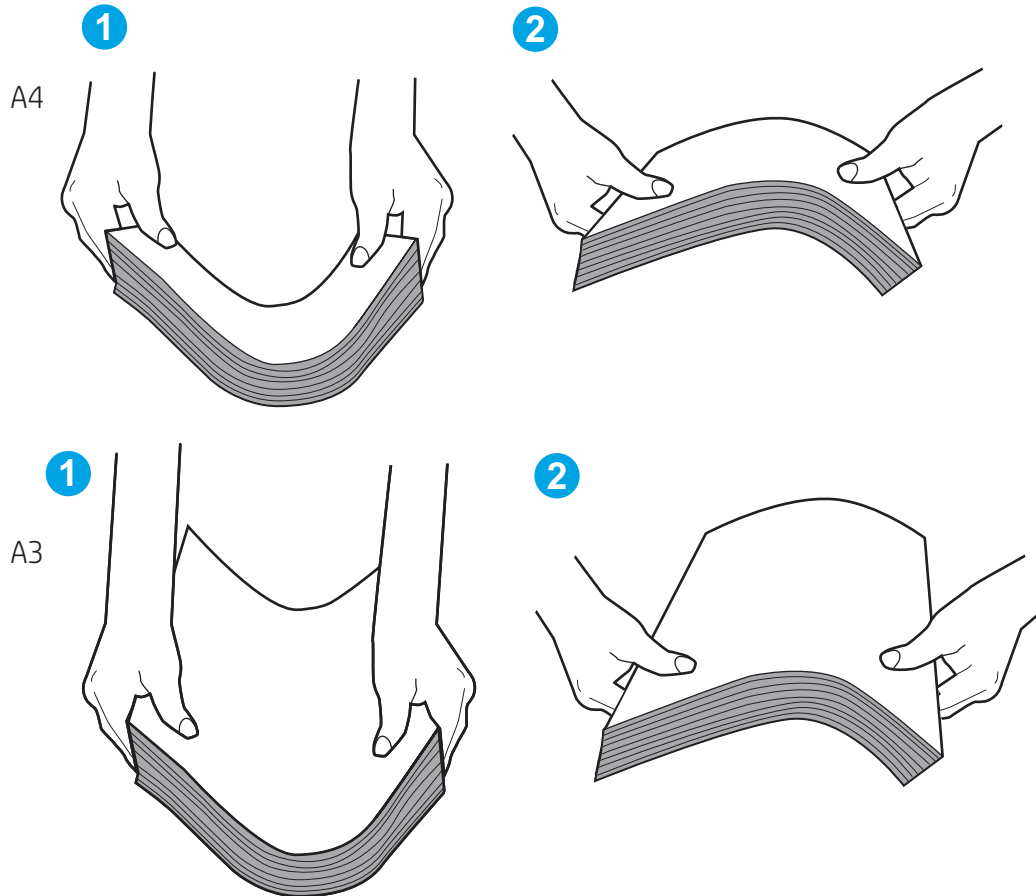


5. Verify that the humidity in the room is within specifications for this printer and that paper is being stored in unopened packages. Most reams of paper are sold in moisture-proof wrapping to keep paper dry.

In high-humidity environments, paper at the top of the stack in the tray can absorb moisture, and it might have a wavy or uneven appearance. If this happens, remove the top 5 to 10 sheets of paper from the stack.

In low-humidity environments, excess static electricity can cause sheets of paper to stick together. If this happens, remove the paper from the tray, and flex the stack by holding it at each end and bringing the ends up to form a U shape. Then, rotate the ends down to reverse the U shape. Next, hold each side of the stack of paper and repeat this process. This process releases individual sheets without introducing static electricity. Straighten the paper stack against a table before returning it to the tray.

**Figure 9-3** Technique for flexing the paper stack



6. Check the printer control panel to see if it is displaying a prompt to feed the paper manually. Load paper, and continue.

7. The rollers above the tray might be contaminated. Clean the rollers with a lint-free cloth dampened with warm water. Use distilled water, if it is available.

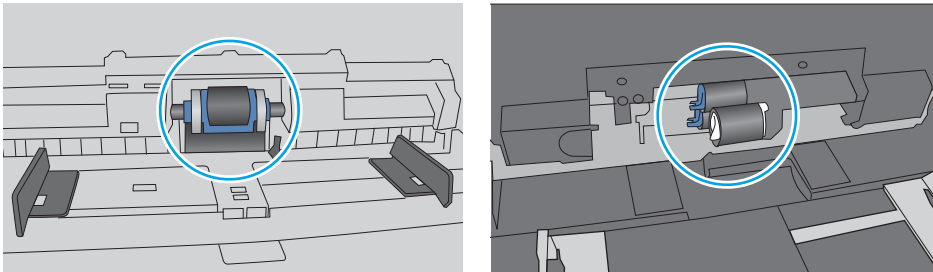
---

**⚠ CAUTION:** Do not spray water directly onto the printer. Instead, spray water on the cloth or dab the cloth in water and wring it out before cleaning the rollers.

---

The following image shows examples of the roller location for various printers.

**Figure 9-4** Roller locations for Tray 1 or the multipurpose tray



## The printer picks up multiple sheets of paper

If the printer picks up multiple sheets of paper from the tray, try these solutions:

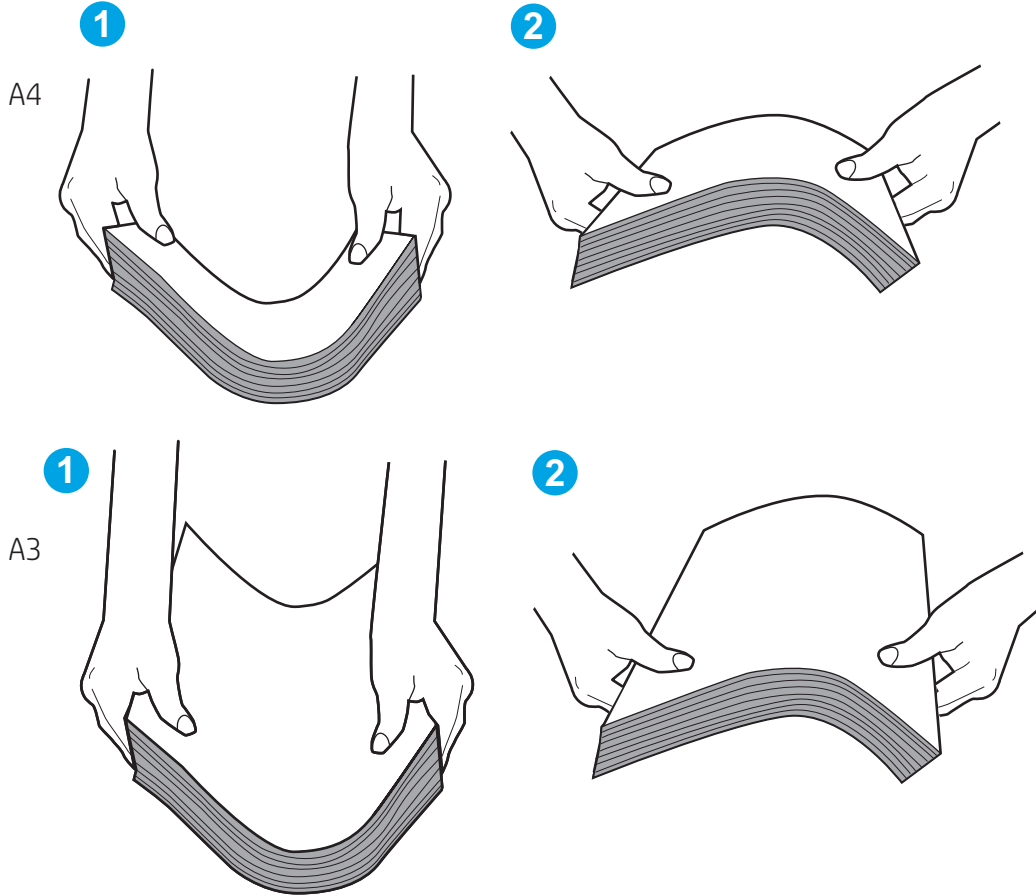
1. Remove the stack of paper from the tray and flex it, rotate it 180 degrees, and flip it over. *Do not fan the paper.* Return the stack of paper to the tray.

---

**📝 NOTE:** Fanning the paper introduces static electricity. Instead of fanning the paper, flex the stack by holding it at each end and bringing the ends up to form a U shape. Then, rotate the ends down to reverse the U shape. Next, hold each side of the stack of paper and repeat this process. This process releases individual sheets without introducing static electricity. Straighten the paper stack against a table before returning it to the tray.

---

Figure 9-5 Technique for flexing the paper stack



2. Use only paper that meets HP specifications for this printer.
3. Verify that the humidity in the room is within specifications for this printer, and that paper is being stored in unopened packages. Most reams of paper are sold in moisture-proof wrapping to keep paper dry.

In high-humidity environments, paper at the top of the stack in the tray can absorb moisture, and it might have a wavy or uneven appearance. If this happens, remove the top 5 to 10 sheets of paper from the stack.

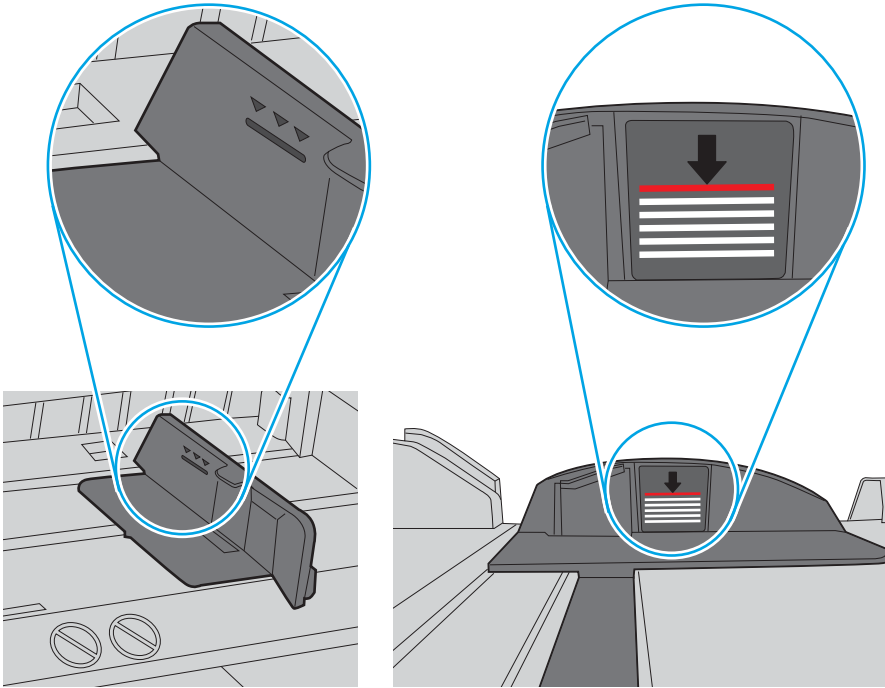
In low-humidity environments, excess static electricity can cause sheets of paper to stick together. If this happens, remove the paper from the tray and flex the stack as described above.

4. Use paper that is not wrinkled, folded, or damaged. If necessary, use paper from a different package.

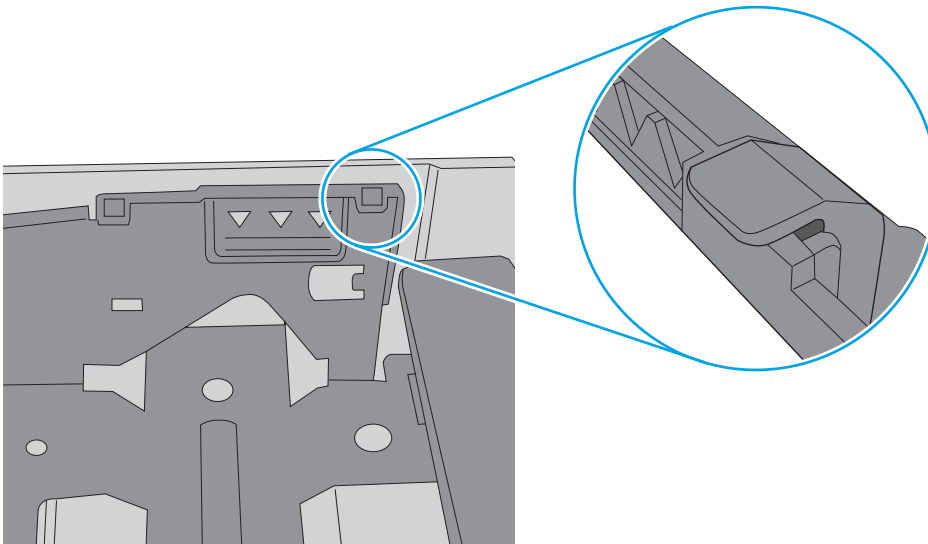
5. Make sure the tray is not overfilled by checking the stack-height markings inside the tray. If it is overfilled, remove the entire stack of paper from the tray, straighten the stack, and then return some of the paper to the tray.

The following examples show the stack-height markings in the trays for various printers. Most HP printers have markings similar to these. Also make sure that all sheets of paper are below the tabs near the stack-height marks. These tabs help hold the paper in the correct position as it enters the printer.

**Figure 9-6** Stack-height markings



**Figure 9-7** Tab for the paper stack



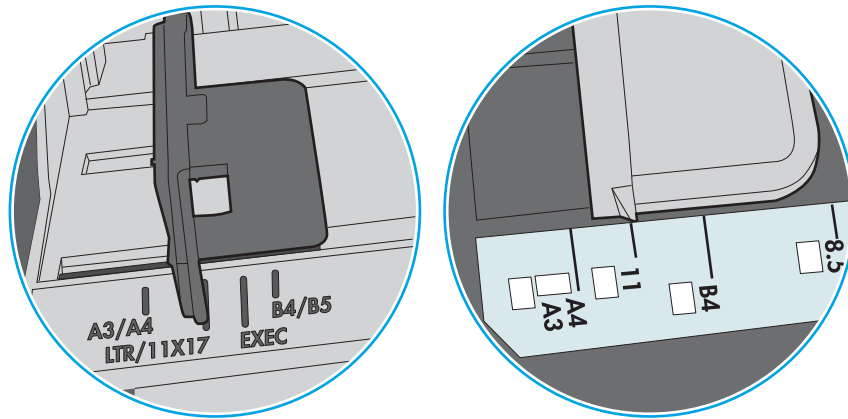


6. Make sure the paper guides in the tray are adjusted correctly for the size of paper. Adjust the guides to the appropriate indentation in the tray. The arrow on the tray guide should line up exactly with the marking on the tray.

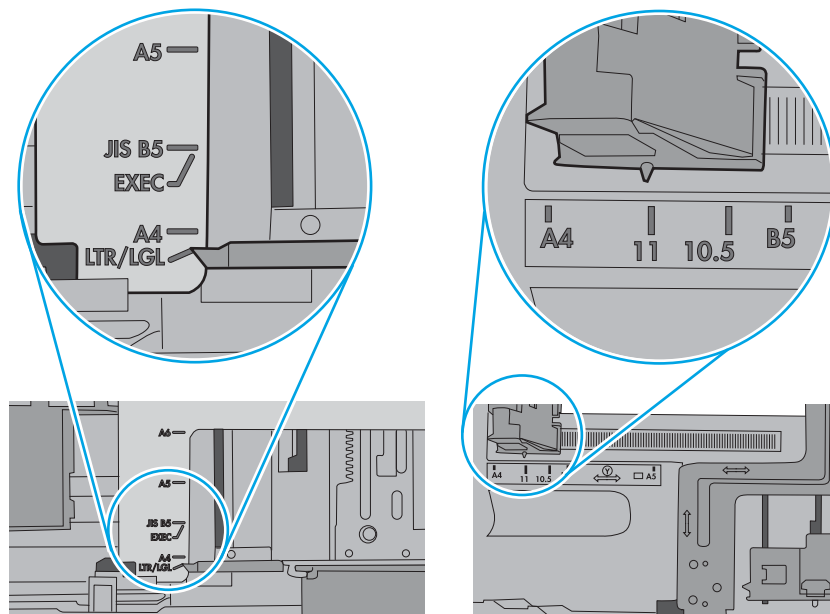
 **NOTE:** Do not adjust the paper guides tightly against the paper stack. Adjust them to the indentations or markings in the tray.

The following images show examples of the paper-size indentations in the trays for various printers. Most HP printers have markings similar to these.

**Figure 9-8** Size markings for Tray 1 or the multipurpose tray



**Figure 9-9** Size markings for cassette trays



7. Make sure the printing environment is within recommended specifications.

## The document feeder jams, skews, or picks up multiple sheets of paper

If the document feeder jams, skews, or picks up multiple sheets of paper, try these solutions.



---

**NOTE:** This information applies to MFP printers only.

---

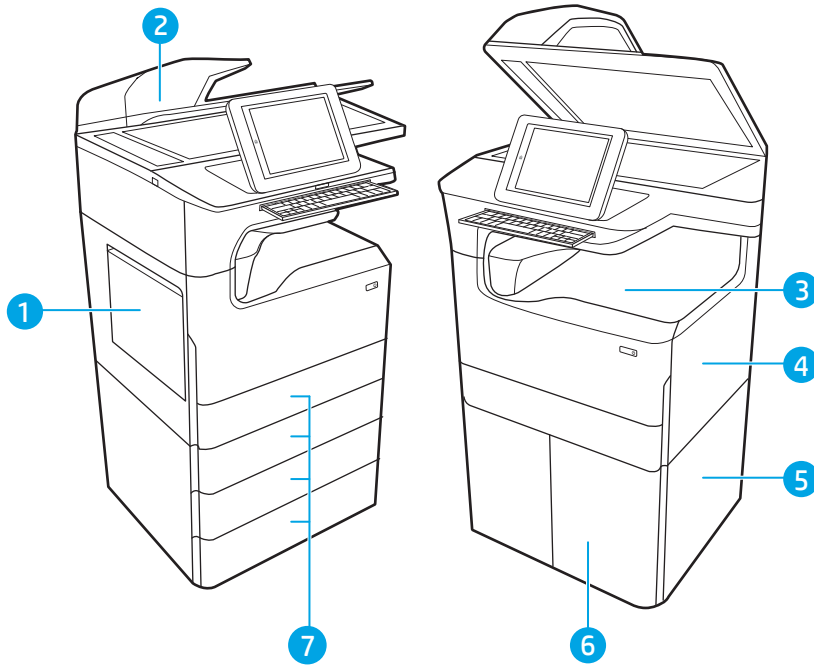
- The original might have something on it, such as staples or self-adhesive notes, that must be removed.
- Check that all rollers are in place and that the roller-access cover inside the document feeder is closed.
- Make sure that the top document-feeder cover is closed.
- The pages might not be placed correctly. Straighten the pages and adjust the paper guides to center the stack.
- The paper guides must be touching the sides of the paper stack to work correctly. Make sure that the paper stack is straight and the guides are against the paper stack.
- The document feeder input tray or output bin might contain more than the maximum number of pages. Make sure the paper stack fits below the guides in the input tray, and remove pages from the output bin.
- Verify that there are no pieces of paper, staples, paper clips, or other debris in the paper path.
- Clean the document-feeder rollers and the separation pad. Use compressed air or a clean, lint-free cloth moistened with warm water. If misfeeds still occur, replace the rollers.
- From the Home screen on the printer control panel, scroll to and touch the [Supplies](#) button. Check the status of the document-feeder kit, and replace it if necessary.

# Clear paper jams

Use the procedures in this section to clear jammed paper from the printer paper path.

## Paper jam locations

Jams can occur in these locations.



Number	Description
1	Tray 1 and left door
2	Document feeder
3	Output bin or inner finisher (E77650dns, E77650zs, E77660dns, E77660zs, P77940dns, P77950dns, and P77960dns models only)
4	Right door (duplexer)
5	Lower right door
6	4,000-sheet HCl feeder
7	550-sheet trays

## Auto-navigation for clearing paper jams

Learn about printer jam clearing auto-navigation.

The auto-navigation feature assists in clearing jams by providing step-by-step instructions on the control panel.

When you complete a step, the printer displays instructions for the next step until you have completed all steps in the procedure.

## Experiencing frequent or recurring paper jams?

To reduce the number of paper jams, try these solutions.

1. Use only paper that meets HP specifications for this printer.
2. Use paper that is not wrinkled, folded, or damaged. If necessary, use paper from a different package.
3. Use paper that has not previously been printed or copied on.
4. Make sure the tray is not overfilled. If it is, remove the entire stack of paper from the tray, straighten the stack, and then return some of the paper to the tray.
5. Make sure the paper guides in the tray are adjusted correctly for the size of paper. Adjust the guides so they are touching the paper stack without bending it.
6. Make sure that the tray is fully inserted in the printer.
7. If you are printing on heavy, embossed, or perforated paper, use the manual feed feature and feed sheets one at a time.
8. Open the [Trays](#) menu on the printer control panel. Verify that the tray is configured correctly for the paper type and size.
9. Make sure the printing environment is within recommended specifications.

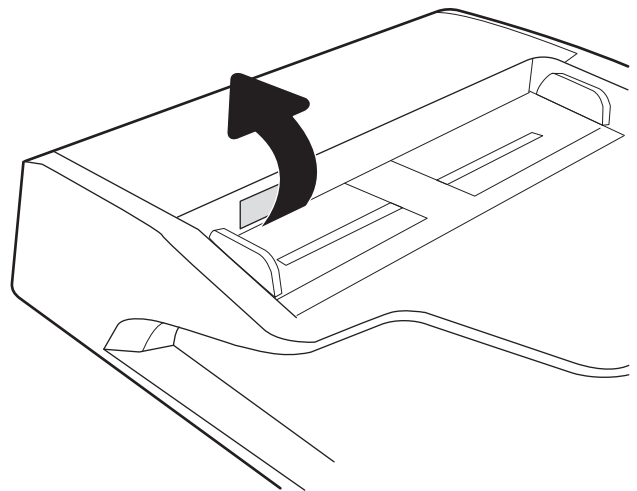
## Clear paper jams in the document feeder – 31.13.yz

When a jam occurs, the control panel displays an error message and an animation that assists in clearing the jam.

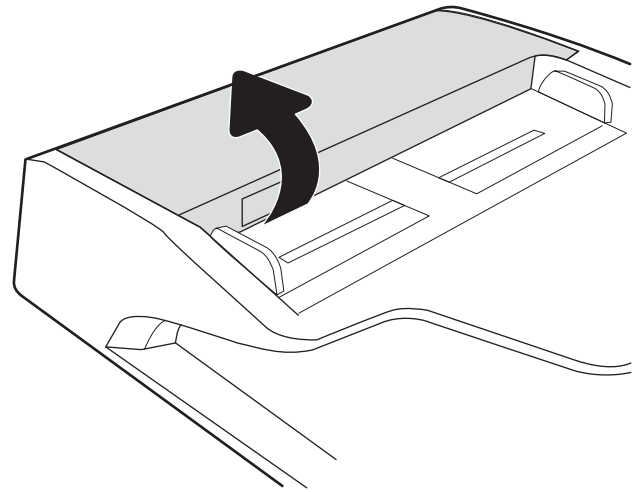
Paper jams in the document feeder produce a [31.13.yz](#) error code.

Follow these steps to clear the paper jam:

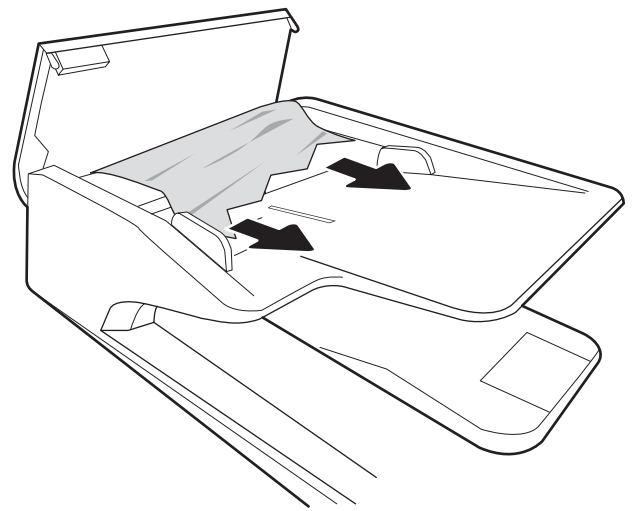
1. Lift the latch to release the document-feeder cover.



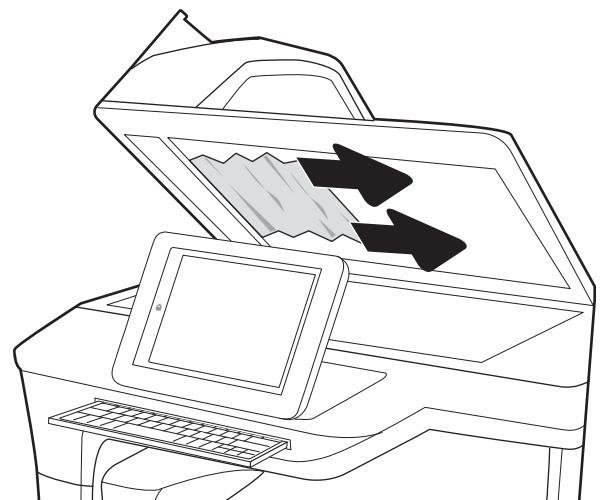
2. Open the document-feeder cover.



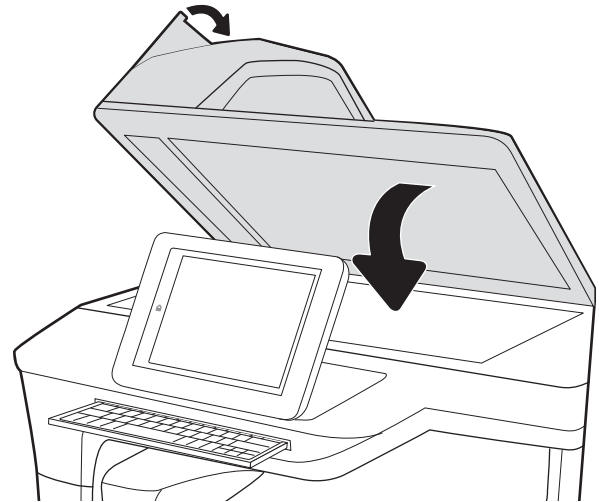
3. Remove any jammed paper.



4. Lift the scanner lid and remove any jammed paper from the bottom of the scanner lid.





5. Close the scanner lid and the document feeder cover.



6. If there are remaining pages still in the printer, instructions on how to clear the remaining pages will display on the control panel.

---

 **NOTE:** To avoid jams, make sure the guides in the document-feeder input tray are adjusted tightly against the document. Remove all staples and paper clips from original documents.

 **NOTE:** Original documents that are printed on heavy, glossy paper can jam more frequently than originals that are printed on plain paper.

---

## Clear paper jams in Tray 1 - 15.A1.yz; 15.D1.51; 15.D1.81; 15.D2.A1; 15.D2.D1

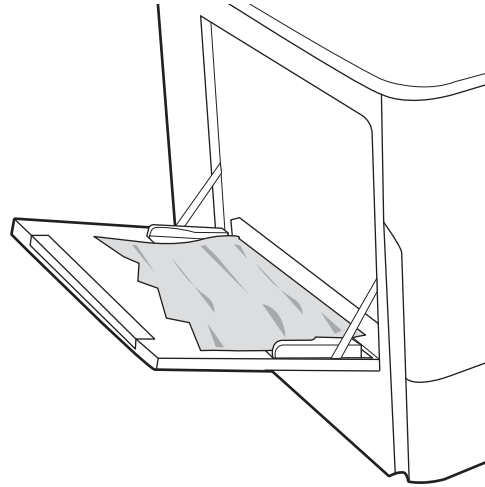
When a jam occurs, the control panel displays an error message and an animation that assists in clearing the jam.

Paper jams in Tray 1 can produce any of the following error codes:

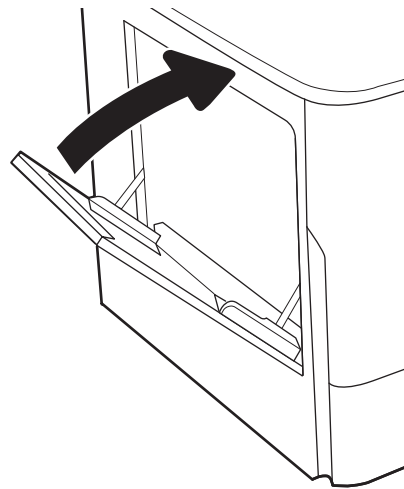
- 15.A1.yz
- 15.D1.51
- 15.D1.81
- 15.D2.A1
- 15.D2.D1

Follow these steps to clear the paper jam:

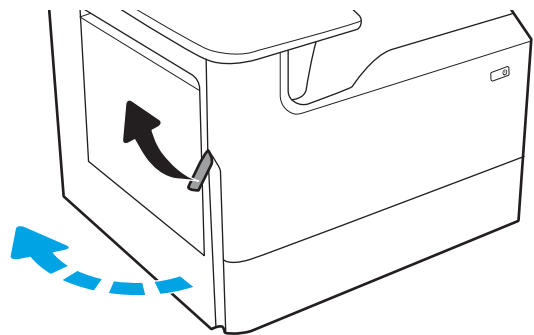
1. If jammed paper is visible in Tray 1, clear the jam by gently pulling the paper straight out.



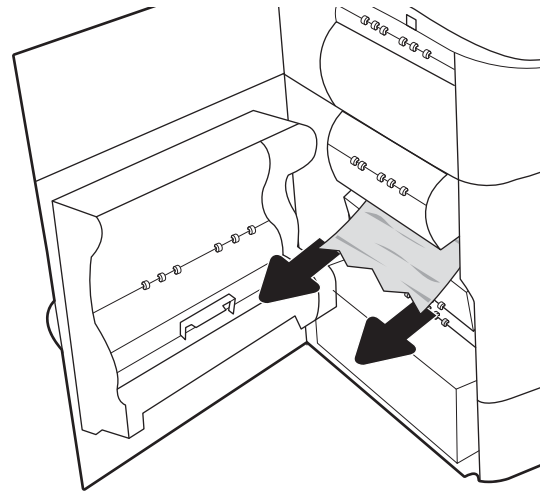
2. Close Tray 1.



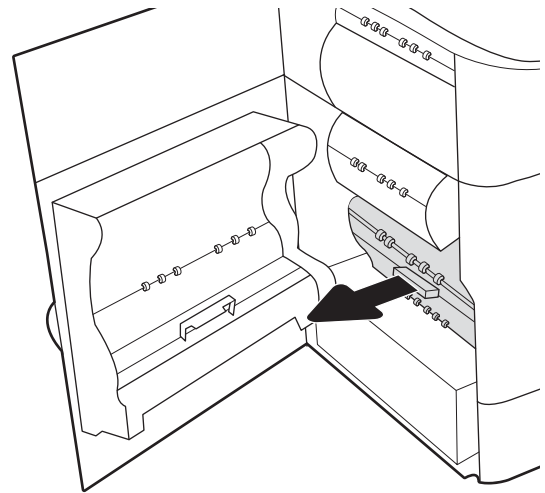
3. Open the left door.



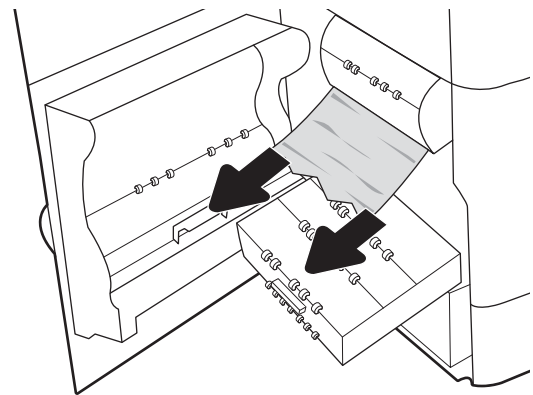
4. Pull any jammed paper straight out.



5. If no jammed paper is visible, pull the service fluid container out.

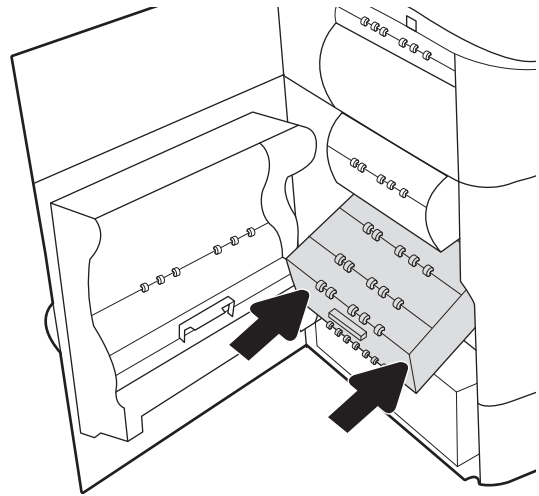


6. Pull any jammed paper straight out.

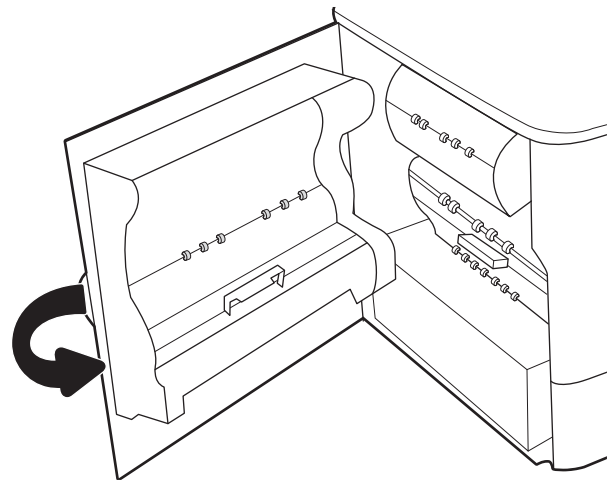




7. Push the service fluid container into the printer.



8. Close the left door.



9. If there are remaining pages still in the printer, instructions on how to clear the remaining pages will display on the control panel.

## Clear paper jams in Tray 2 - 15.A2.yz; 15.D2.52; 15.D2.82; 15.D2.A2; 15.D2.D2

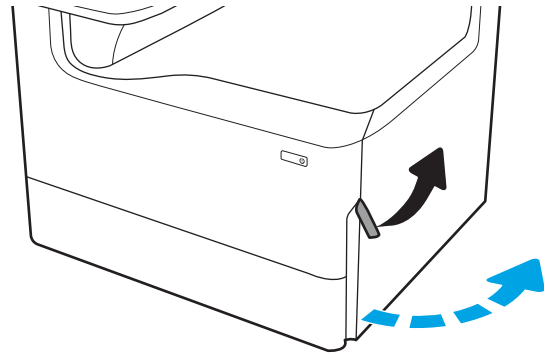
When a jam occurs, the control panel displays an error message and an animation that assists in clearing the jam.

Paper jams in Tray 2 can produce any of the following error codes:

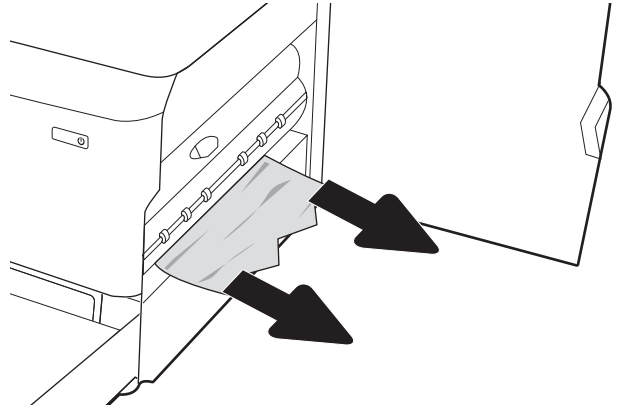
- 15.A2.yz
- 15.D2.52
- 15.D2.82
- 15.D2.A2
- 15.D2.D2

Follow these steps to clear the paper jam:

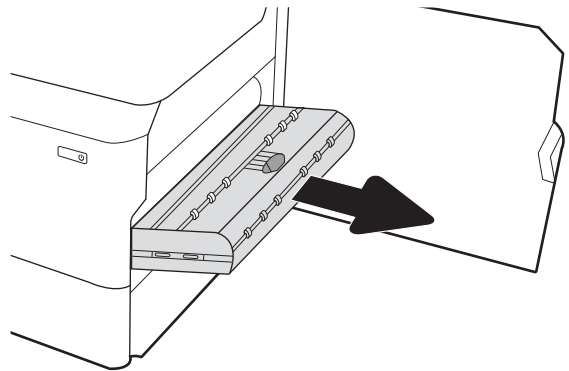
1. Open the right door.



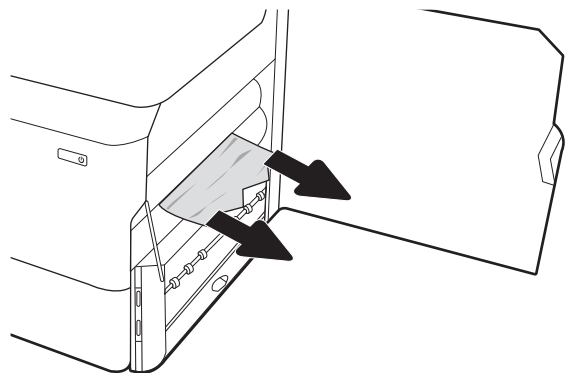
2. Remove any jammed paper.



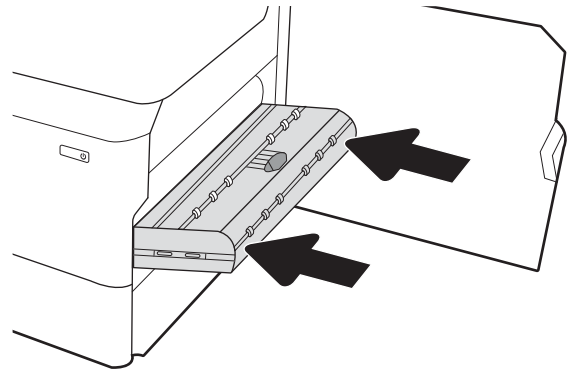
3. If no jammed paper is visible, remove the duplexer.



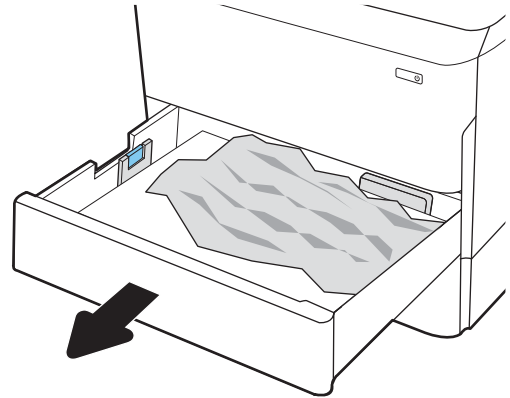
4. Pull any jammed paper straight out.



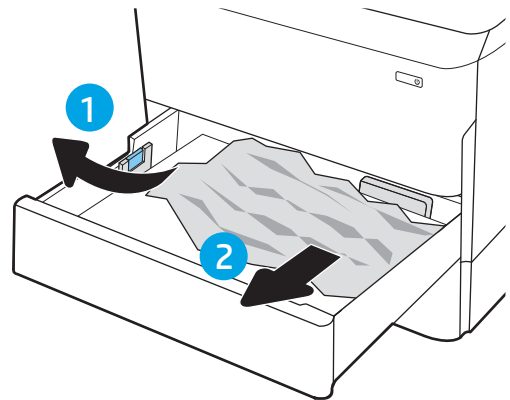
5. Reinstall the duplexer.



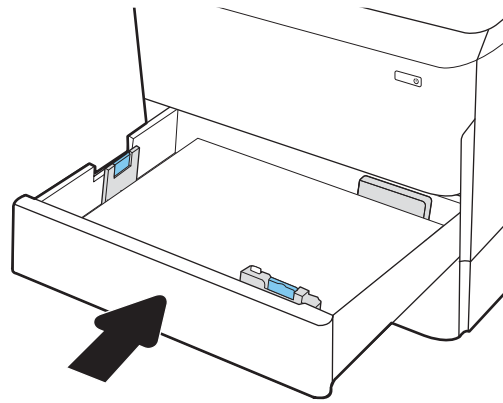
6. Open the tray.



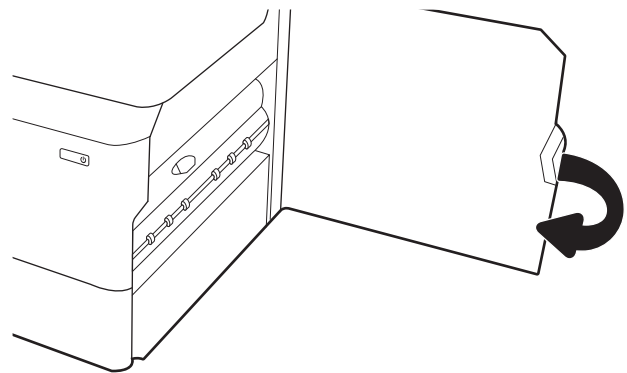
7. Remove the jammed paper from the feed rollers inside the printer. First pull the paper to the left, and then pull it forward to remove it.



8. Close the tray.



9. Close the right door.



10. If there are remaining pages still in the printer, instructions on how to clear the remaining pages will display on the control panel.

## Clear paper jams in Tray 3 - 15.A3.yz; 15.12.A3; 15.12.D3


When a jam occurs, the control panel displays an error message and an animation that assists in clearing the jam.

Paper jams in Tray 3 can produce any of the following error codes:

- 15.A3.yz
- 15.12.A3
- 15.12.D3

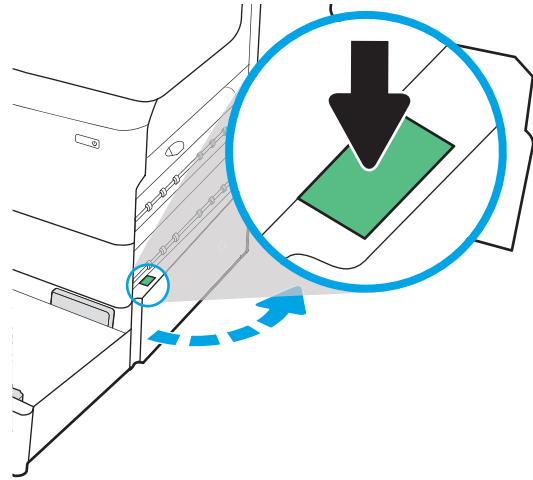
Follow these steps to clear the paper jam:

---

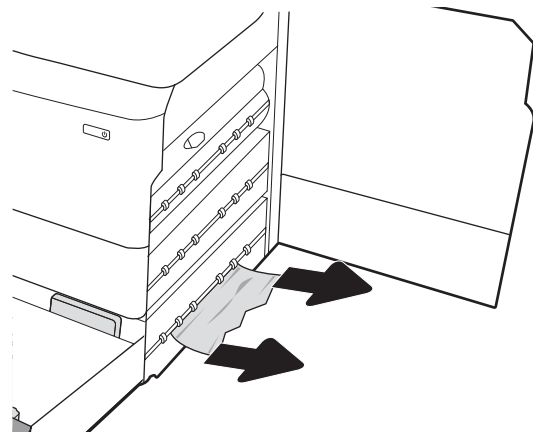
 **NOTE:** The procedure to clear paper jams from the 1x550-sheet tray with stand is the same as for the table-top 1x550-sheet tray. Only the table-top tray is shown here.

---

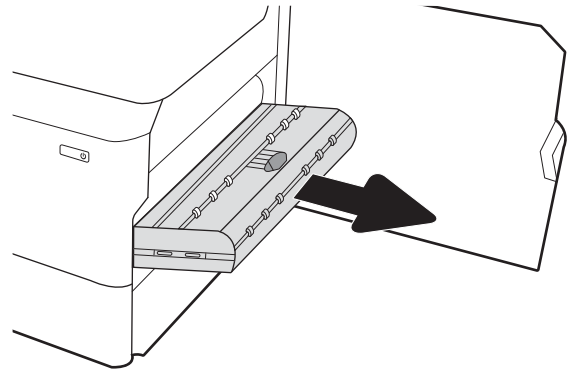
1. Open the right door and the lower-right door.



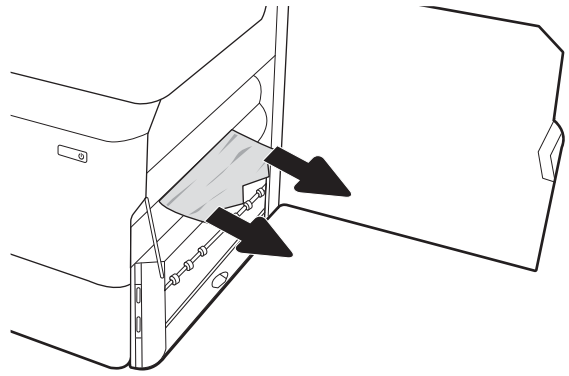
2. Gently pull out any jammed paper.



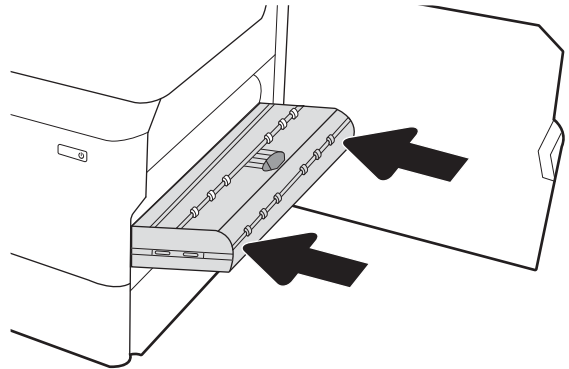
3. If no jammed paper is visible, remove the duplexer.



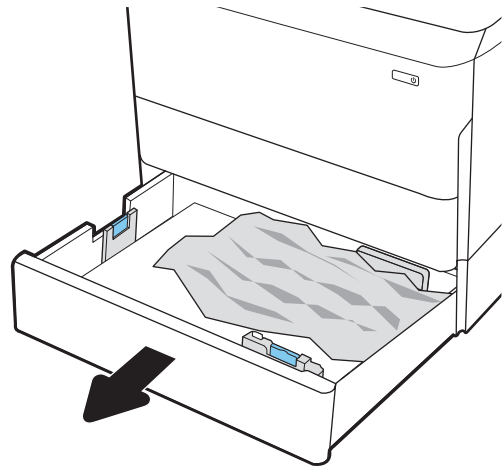
4. Pull any jammed paper straight out.



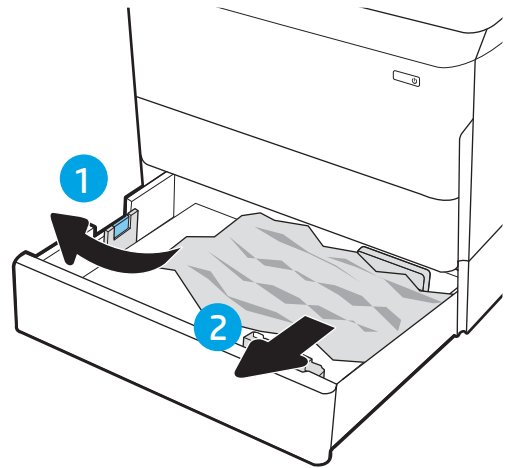
5. Reinstall the duplexer.



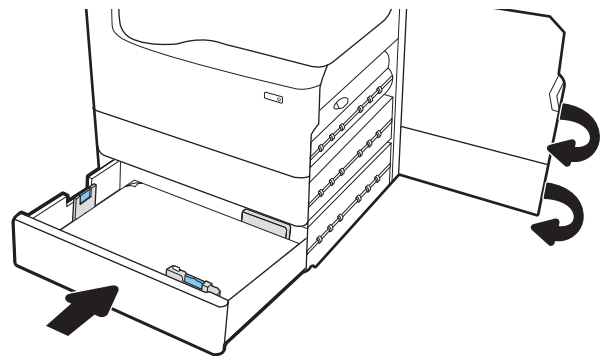
6. Open the tray.



7. Remove the jammed paper from the feed rollers inside the printer. First pull the paper to the left, and then pull it forward to remove it.



8. Close the lower-right door and the right door, and then close the tray.



9. If there are remaining pages still in the printer, instructions on how to clear the remaining pages will display on the control panel.

## Clear paper jams in the output bin - 15.E1.yz; 15.C1.Az

When a jam occurs, the control panel displays an error message and an animation that assists in clearing the jam.

Paper jams in the output bin produce either of the following error codes:

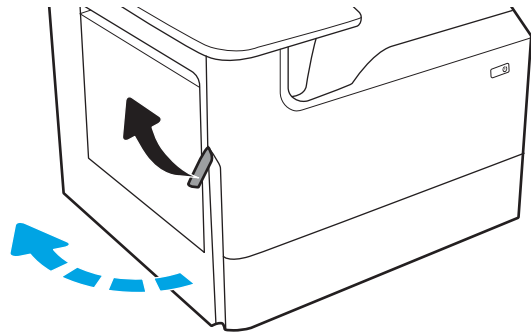
- 15.E1.yz
- 15.C1.Az

Follow these steps to clear the paper jam:

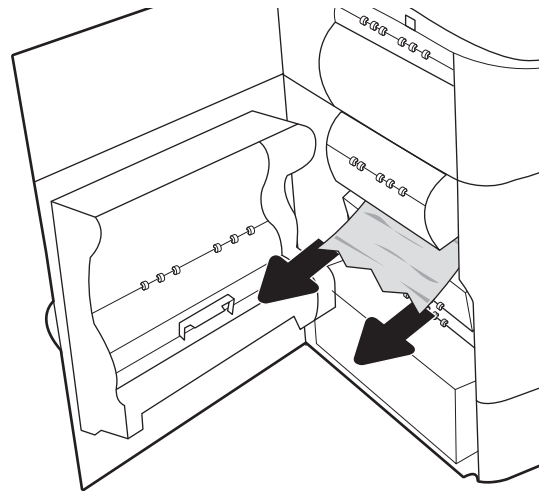
1. If paper is visible in the output bin, grasp the leading edge and remove it.



2. Open the left door.

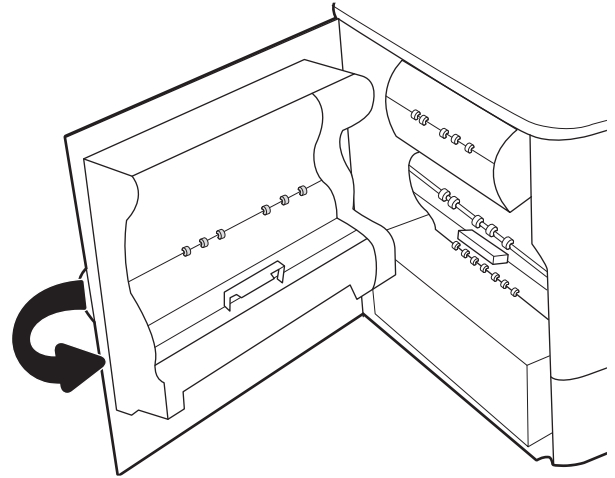


3. Remove any jammed paper.





4. Close the left door.



5. If there are remaining pages still in the printer, instructions on how to clear the remaining pages will display on the control panel.

## Clear paper jams in the duplexer - 15.D1.yz; 15.D2.yz; 15.C1.5z; 15.C1.8z; 15.C1.9z

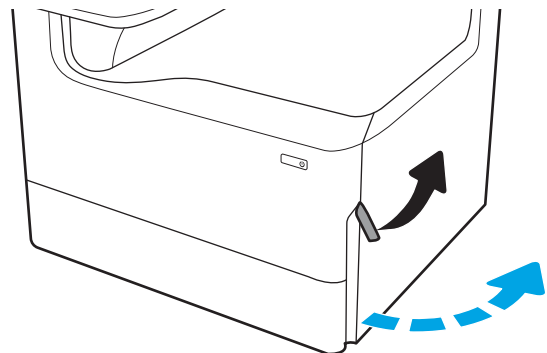
When a jam occurs, the control panel displays an error message and an animation that assists in clearing the jam.

Paper jams in the duplexer can produce any of the following error codes:

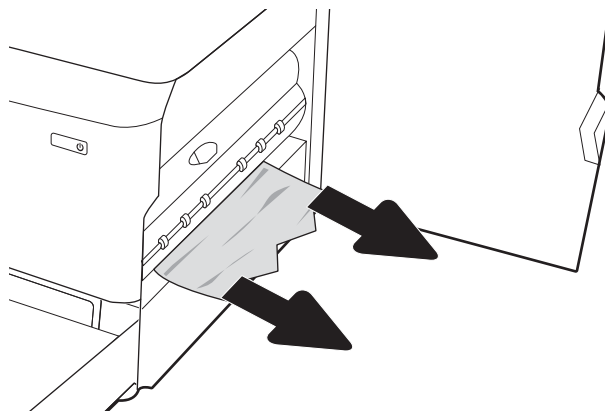
- 15.D1.yz
- 15.D2.yz
- 15.C1.5z
- 15.C1.8z
- 15.C1.9z

Follow these steps to clear the paper jam:

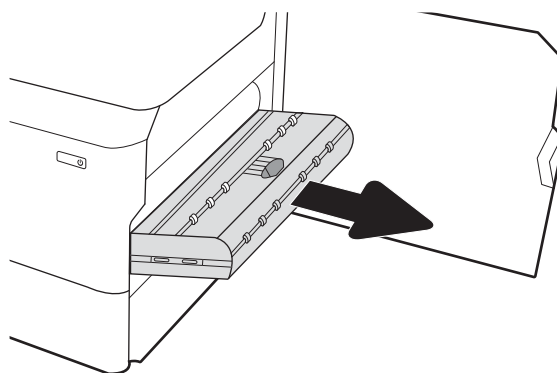
1. Open the right door.



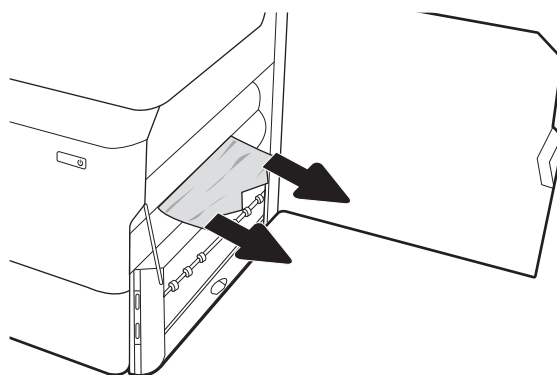
2. Remove any jammed paper.



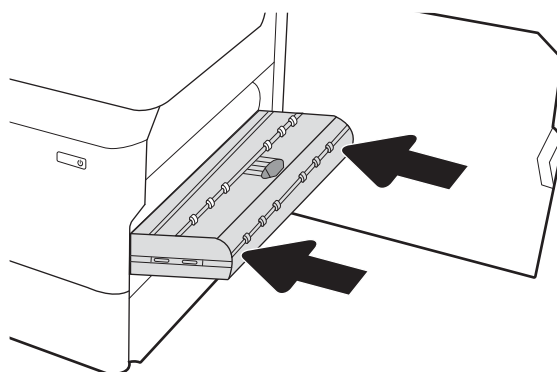
3. If no jammed paper is visible, remove the duplexer.



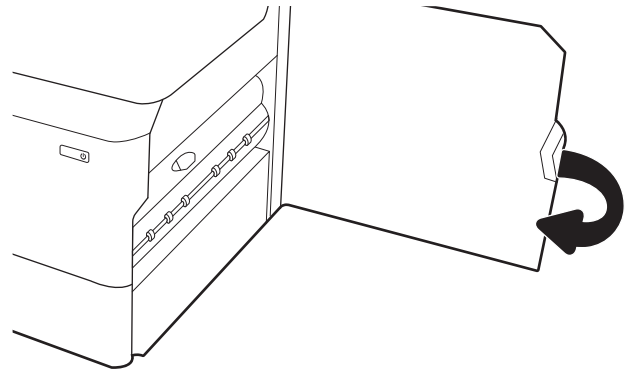
4. Pull any jammed paper straight out.



5. Reinstall the duplexer.



6. Close the right door.



7. If there are remaining pages still in the printer, instructions on how to clear the remaining pages will display on the control panel.

## Clear paper jams in the 3X550 trays - [15.A4.yz](#); [15.A5.yz](#); [15.A6.yz](#); [15.A9.yz](#); [15.37.yz](#); [15.38.yz](#); [15.48.yz](#)

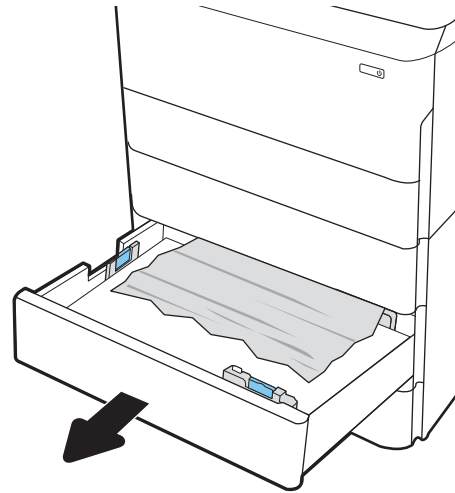
When a jam occurs, the control panel displays an error message and an animation that assists in clearing the jam.

Paper jams in the 3x550-sheet accessory can produce any of the following error codes:

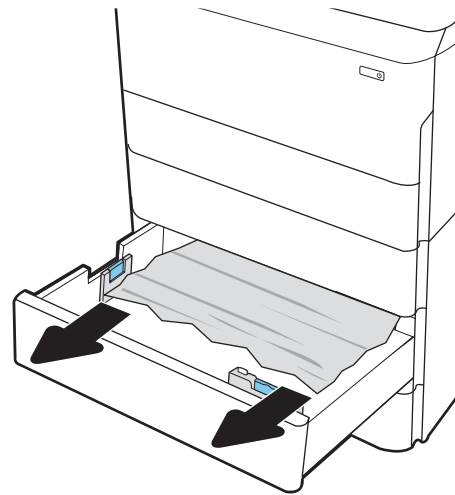
- [15.A4.yz](#)
- [15.A5.yz](#)
- [15.A6.yz](#)
- [15.A9.yz](#)
- [15.37.yz](#)
- [15.38.yz](#)
- [15.48.yz](#)

Follow these steps to clear the paper jam:

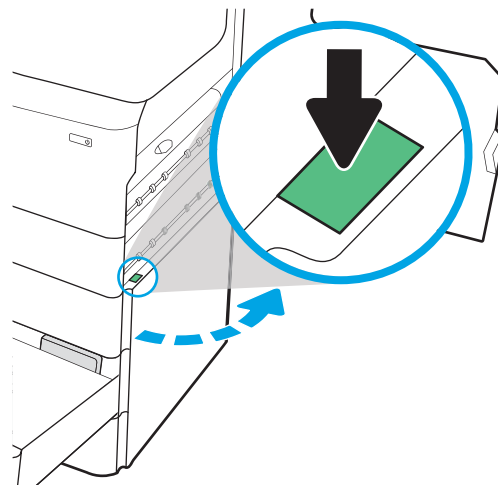
1. Open one of the trays.



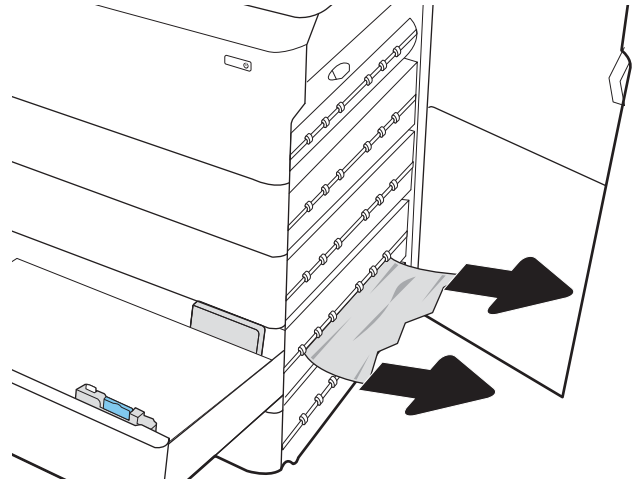
2. Remove the jammed paper from the feed rollers inside the printer. First pull the paper to the left, and then pull it forward to remove it.



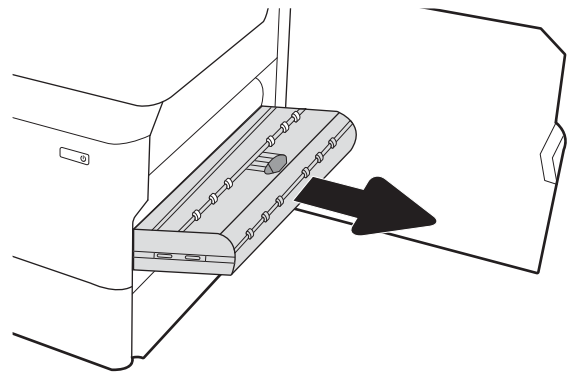
3. Open the right door and the lower-right door.



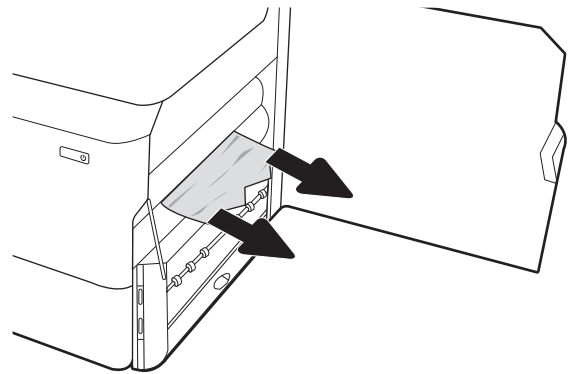
4. Gently pull out any jammed paper.



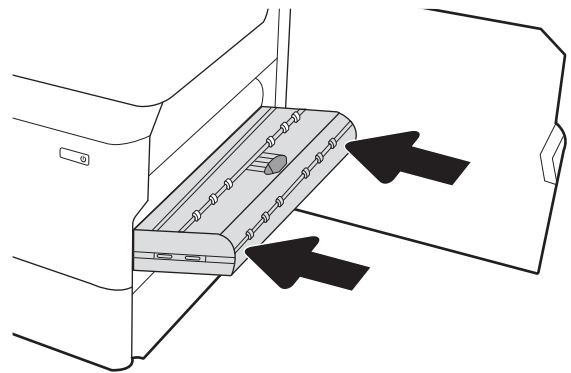
5. If no jammed paper is visible, remove the duplexer.



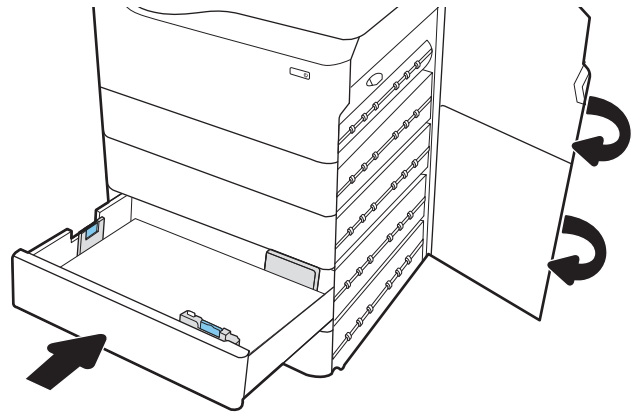
6. Pull any jammed paper straight out.



7. Reinstall the duplexer.



8. Close the right door and the lower-right door, and then close the tray.



9. If there are remaining pages still in the printer, instructions on how to clear the remaining pages will display on the control panel.

## Clear paper jams in the 4,000 sheet HCI - 15.A7.yz; 15.A8.yz; 15.37.yz; 15.38.yz; 15.48.yz

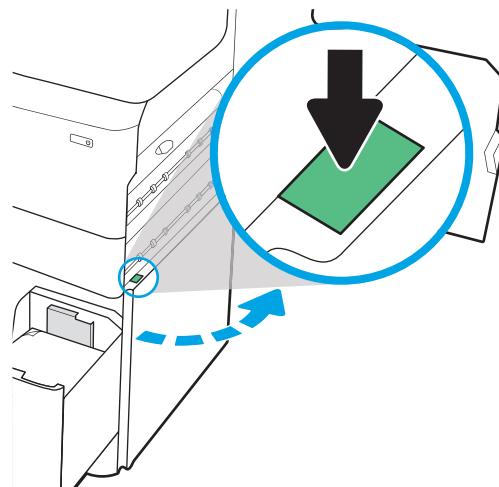
When a jam occurs, the control panel displays an error message and an animation that assists in clearing the jam.

Paper jams in the 4000-sheet HCI accessory can produce any of the following error codes:

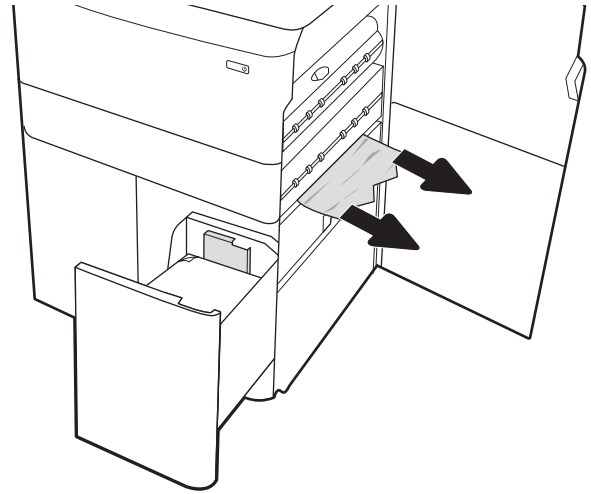
- 15.A7.yz
- 15.A8.yz
- 15.37.yz
- 15.38.yz
- 15.48.yz

Follow these steps to clear the paper jam:

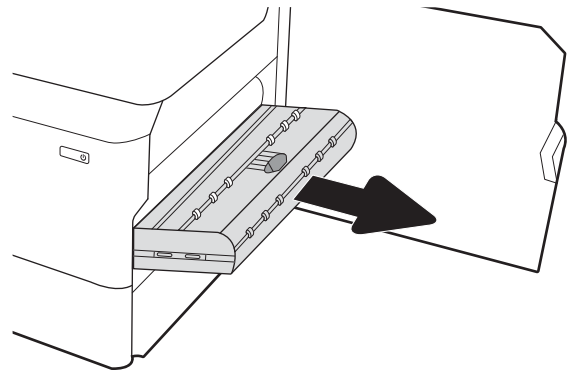
1. Open the right door and the lower right door.



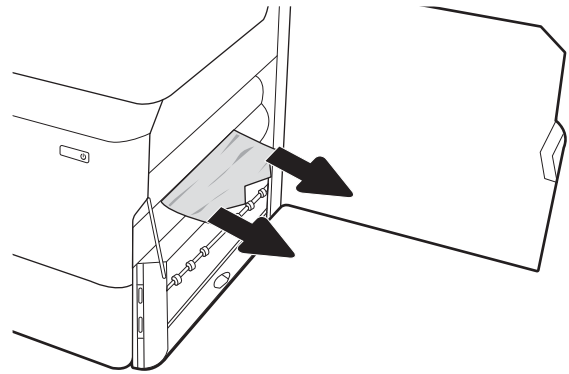
2. Remove any damaged sheets.



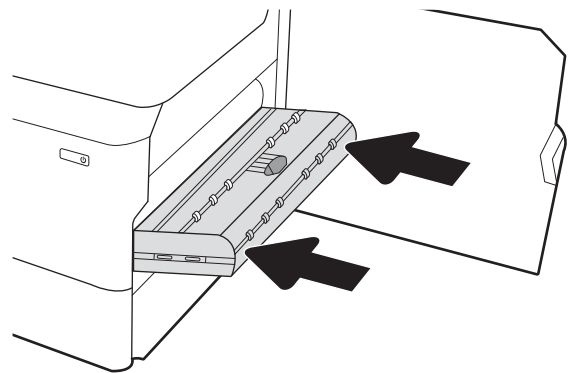
3. If no jammed paper is visible, remove the duplexer.



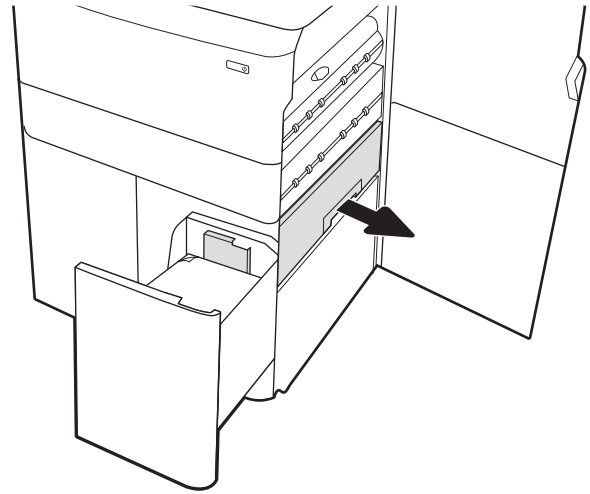
4. Pull any jammed paper straight out.



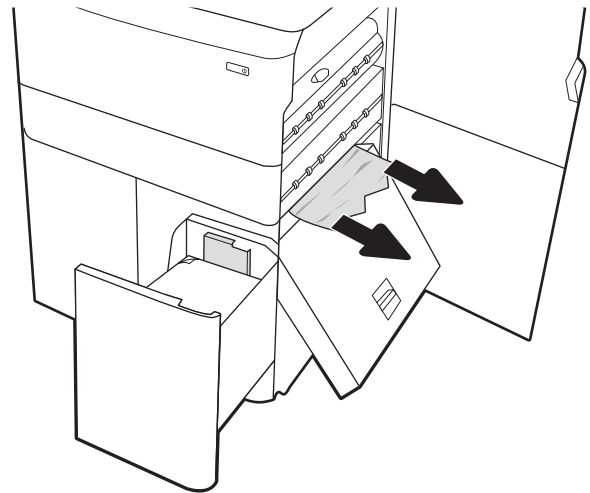
5. Reinstall the duplexer.



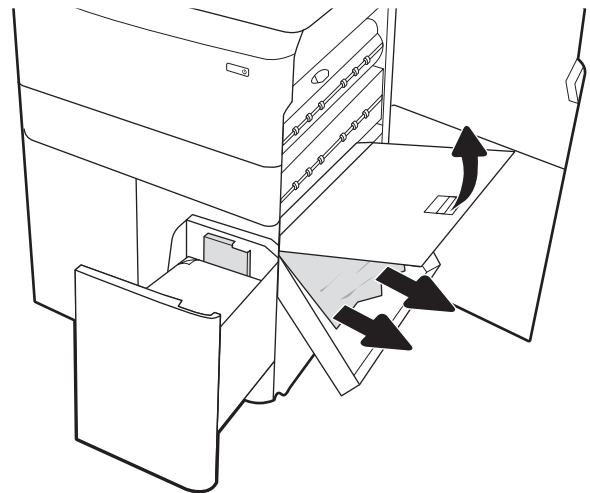
6. In the lower right door area, use the green handle to pull out the HCI jam cassette.



7. Remove any jammed paper from the jam cassette area.

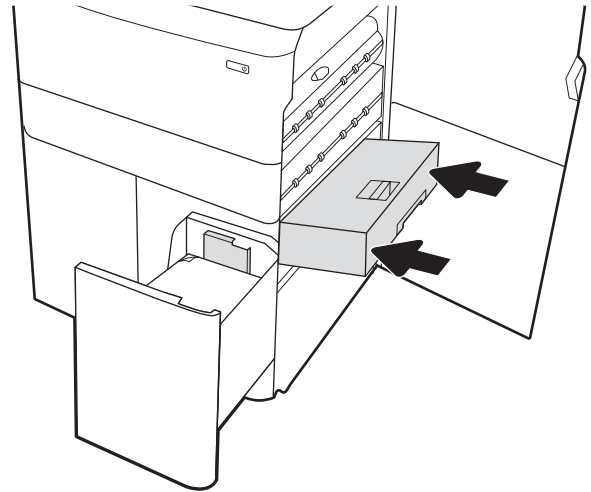


8. Use the green handle to open the top of the HCI jam cassette, and remove any jammed paper.

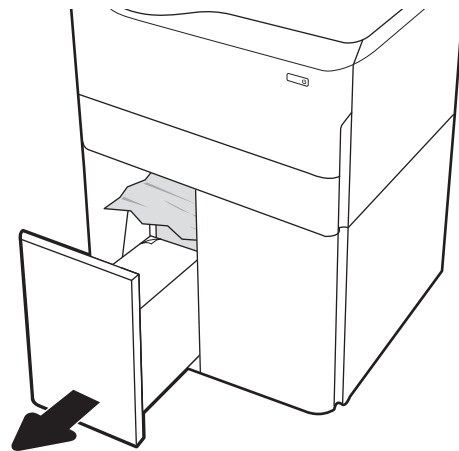




9. Close the jam cassette, and then reinstall it into the printer.



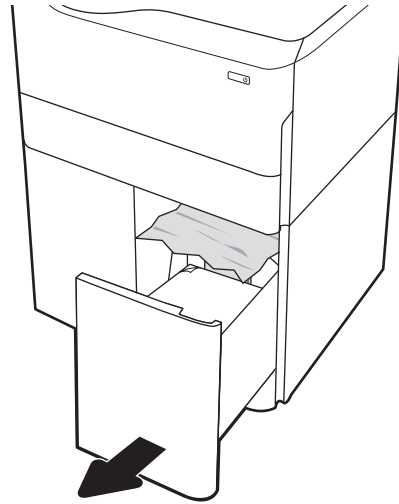
10. Open the left high-capacity input tray.



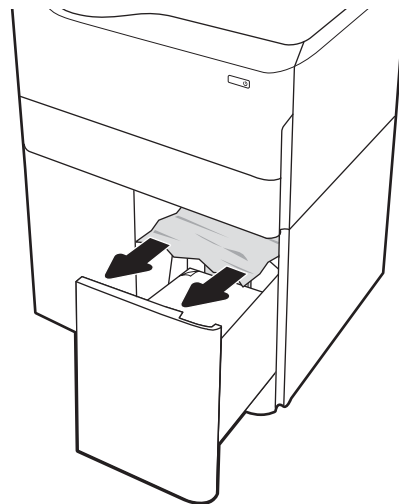
11. Remove the jammed paper from the feed rollers inside the printer. First pull the paper to the left, and then pull it forward to remove it.



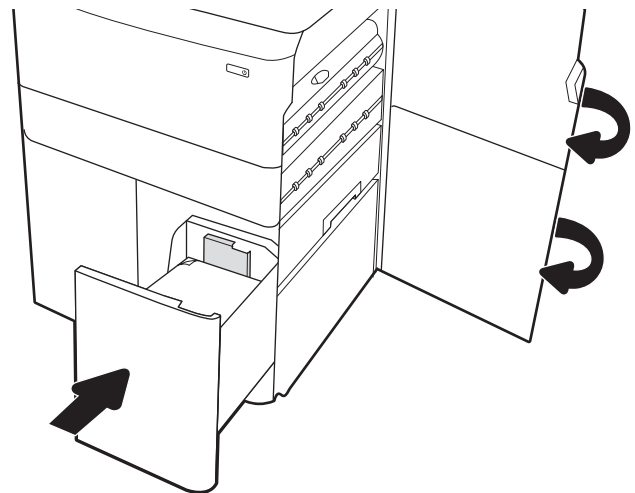
12. Close the left tray and open the right high-capacity input tray.



13. Remove the jammed paper from the feed rollers inside the printer. First pull the paper to the left, and then pull it forward to remove it.



14. Close the right door and the lower right door, and then close the right tray.



15. If there are remaining pages still in the printer, instructions on how to clear the remaining pages will display on the control panel.

## Clear paper jams in the inner finisher (E77650dns, E77650zs, and E77660zs models only) - 15.51.yz; 15.62.yz; 15.63.yz; 15.67.yz

When a jam occurs, the control panel displays an error message and an animation that assists in clearing the jam.

Paper jams in the inner finisher can produce any of the following error codes:

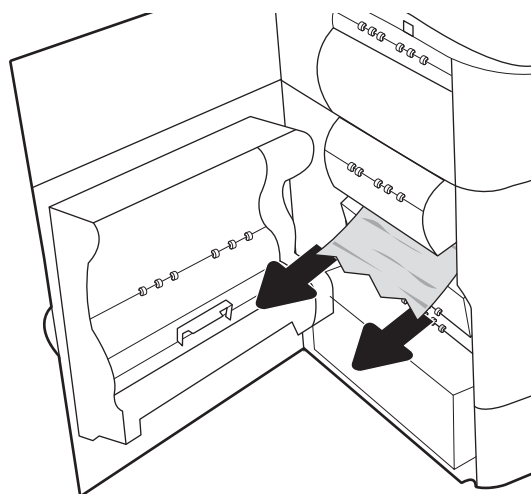
- 15.51.yz
- 15.62.yz
- 15.63.yz
- 15.67.yz

Follow these steps to clear the paper jam:

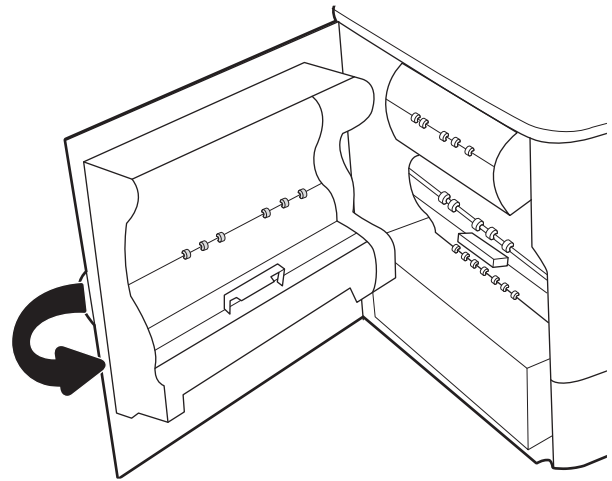
1. Remove any jammed paper from the inner finisher bins.



2. Open the left door. If jammed paper is visible inside the jam-access door, pull it straight out to remove it.



3. Close the left door.



4. If there are remaining pages still in the printer, instructions on how to clear the remaining pages will display on the control panel.

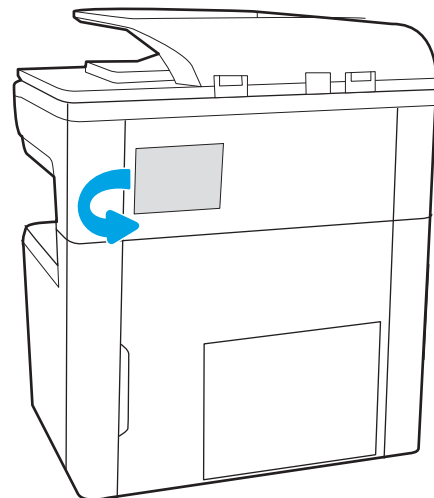
### Clear staple jams in the inner finisher (E77650dns, E77650zs, E77660dns, E77660zs, E77660zts, P77940dns, P77950dns, P77960dns models only) - 15.63.yz

When a jam occurs, the control panel displays an error message and an animation that assists in clearing the jam.

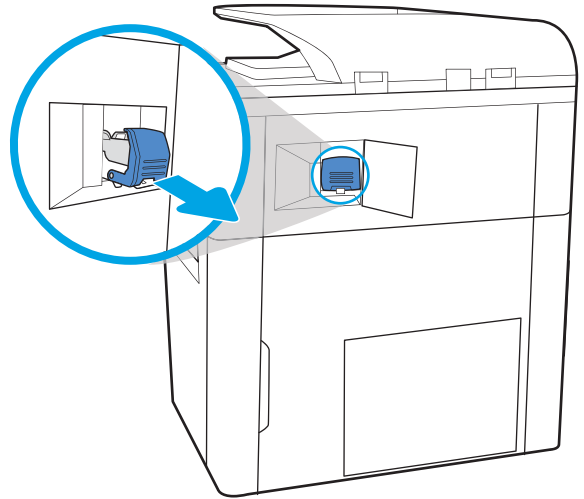
Staple jams produce a [15.63.yz](#) error code.

Follow these steps to clear the paper jam:

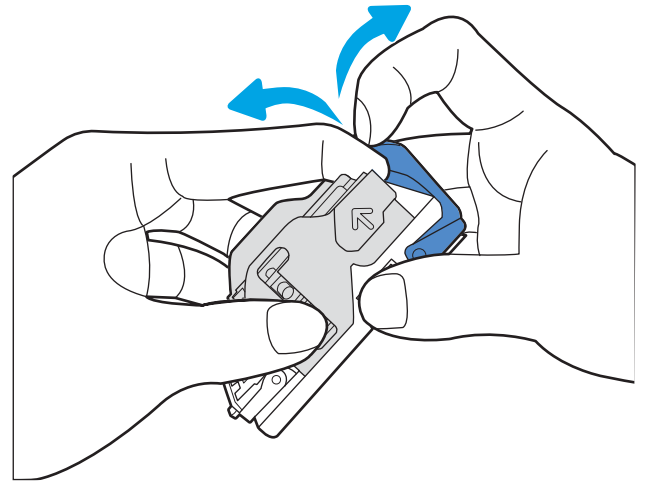
1. Open the stapler door.



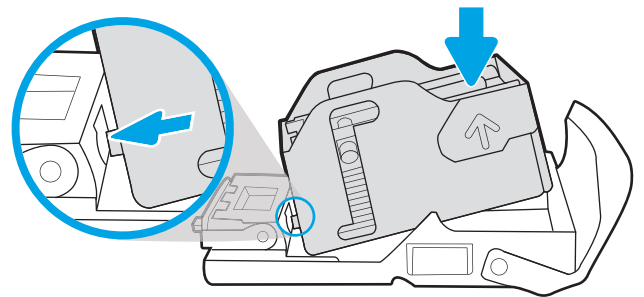
2. Pull the colored handle on the staple cartridge, and then pull the staple cartridge straight out.



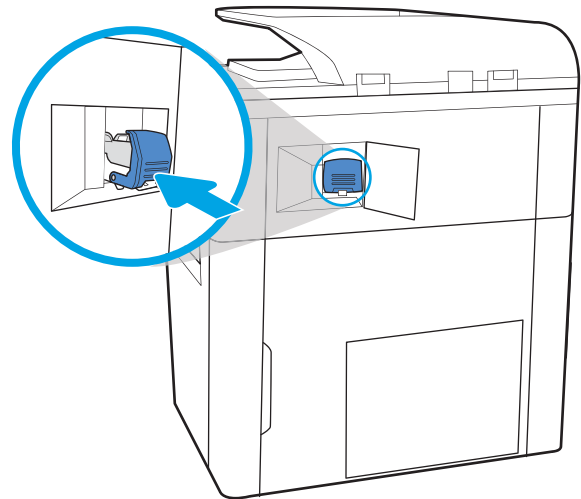
3. Lift up on the small lever at the back of the staple cartridge to separate the staple cartridge from the holder, and then remove any jammed staples.



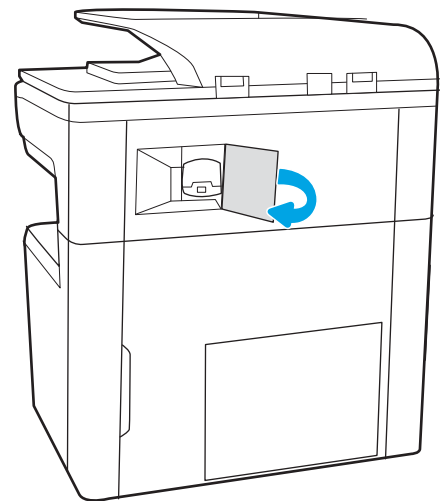
4. Close the lever at the back of the staple cartridge. Be sure that it snaps into place.



5. Insert the staple cartridge into the stapler and push on the colored handle until it snaps into place.



6. Close the stapler door.



### Clear paper jams in the floor standing finisher rear door (E77650z+, E77660z+, P77940dn+, P77950dn+, P77960dn+ models only)

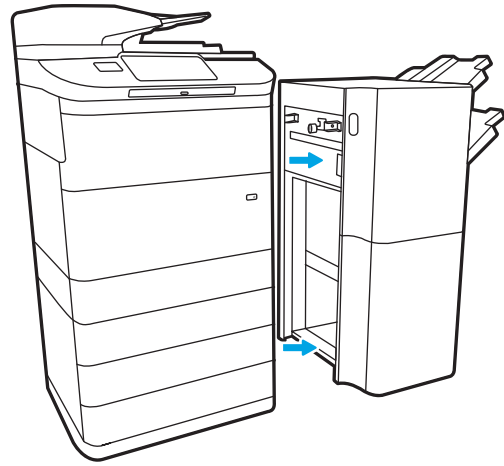
The following information describes how to clear a paper jam in the floor standing finisher rear door. When a jam occurs, the control panel displays an error message and an animation that assist in clearing the jam.



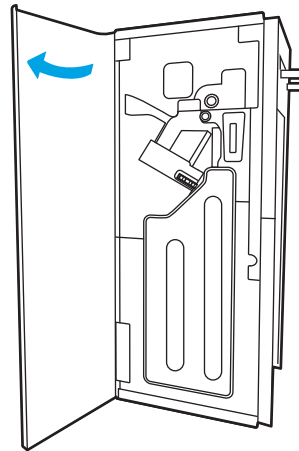
**NOTE:** Remove all paper from the finisher output bins before separating the finisher from the printer.

1. Press the finisher release button, and then slide the finisher away from the printer.

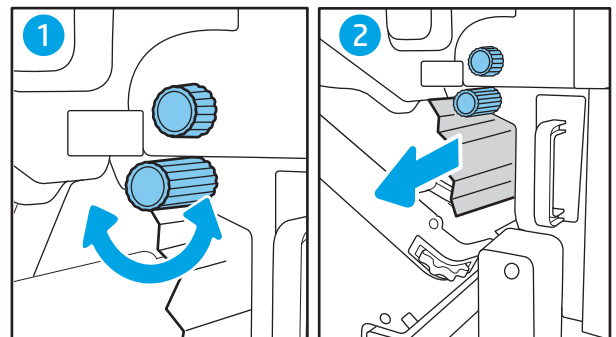
**NOTE:** When moving the finisher, you do not need to disconnect the data cable.



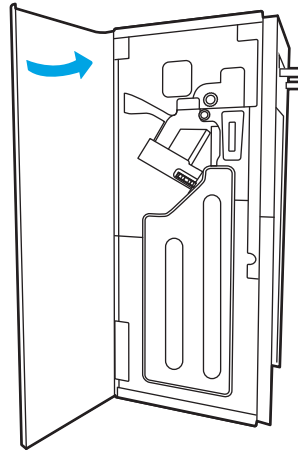
2. Move the finisher to a position where the finisher rear door is accessible, and then open the finisher rear door.



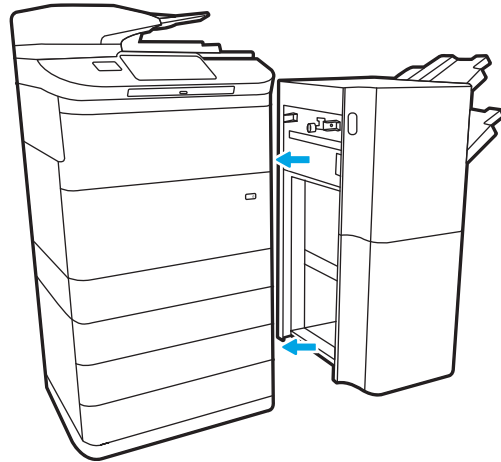
3. Rotate the green knobs, and then remove any jammed paper.



4. Close the finisher rear door.



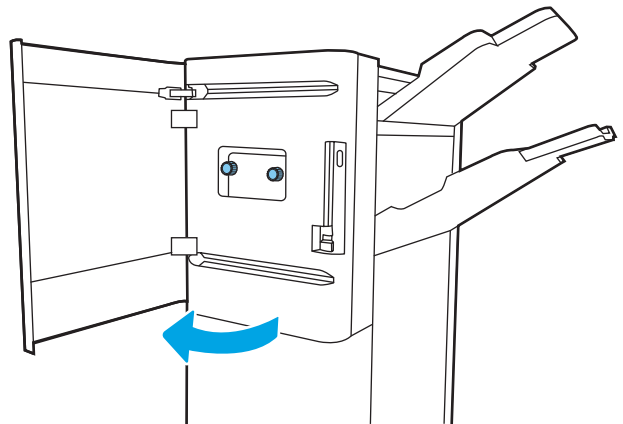
5. Reinstall the finisher.



### Clear paper jams in the floor standing finisher front door (E77650z+, E77660z+, P77940dn+, P77950dn+, P77960dn+ models only)

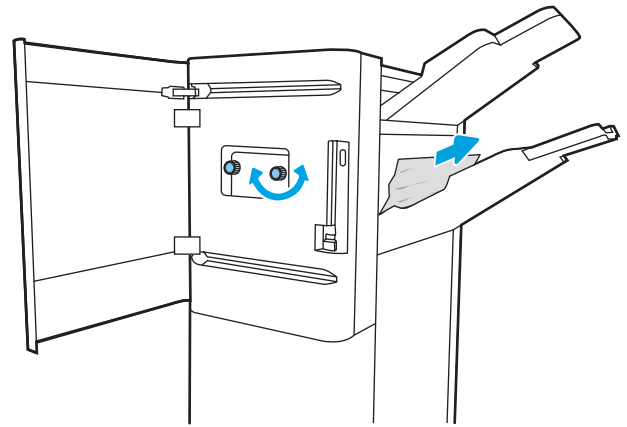
The following information describes how to clear a paper jam in the floor standing finisher front door. When a jam occurs, the control panel displays an error message and an animation that assist in clearing the jam.

1. Open the finisher front door.

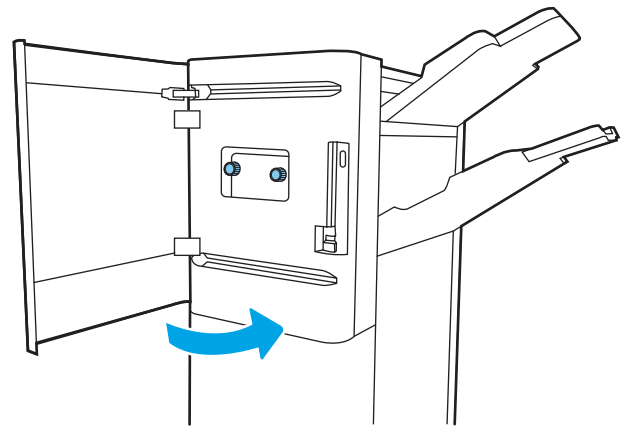




2. Rotate the green knobs, and then remove any jammed paper.




3. Close the finisher front door.



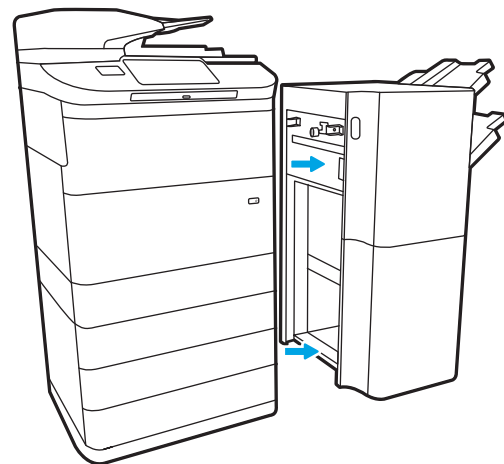
### Clear staple jams in the floor standing finisher (E77650z+, E77660z+, P77940dn+, P77950dn+, P77960dn+ models only)

The following information describes how to clear a staple jam in the floor standing finisher. When a jam occurs, the control panel displays an error message and an animation that assist in clearing the jam.

 **NOTE:** Remove all paper from the finisher output bins before separating the finisher from the printer.

1. Press the finisher release button, and then slide the finisher away from the printer.

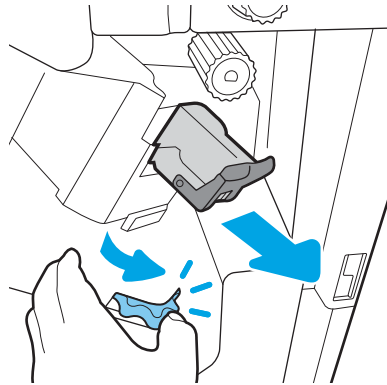
**NOTE:** When moving the finisher, you do not need to disconnect the data cable.



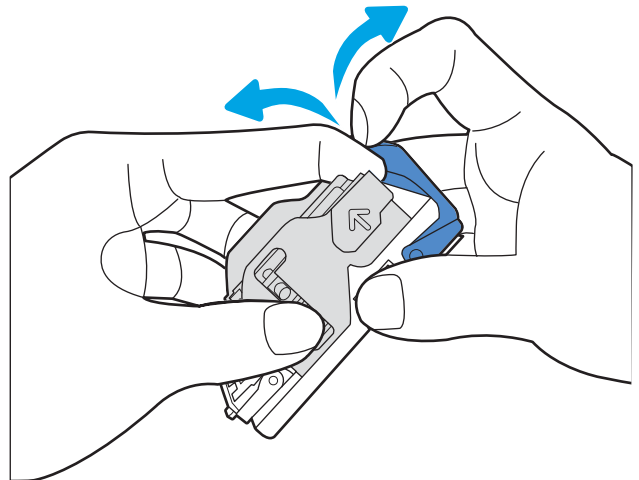
2. Move the finisher to a position where the finisher rear door is accessible, and then open the finisher rear door.



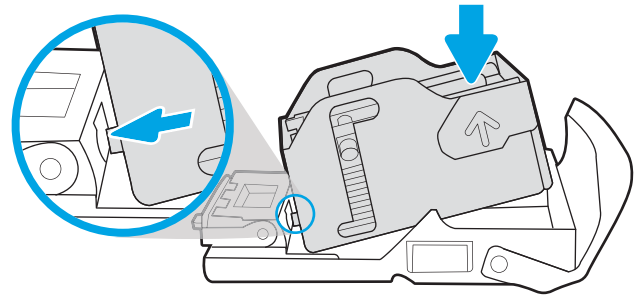
3. Turn the green wheel to bring the staple cartridge carriage toward you until it reaches its closest position, push down on the staple cartridge tab, and then slide the cartridge out of the finisher.



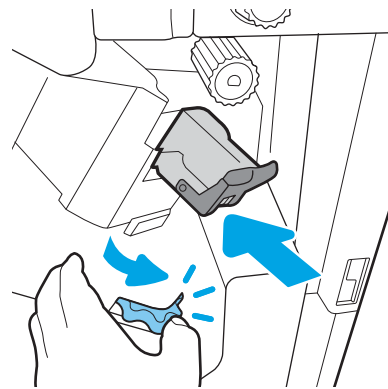
4. Lift up on the small lever at the back of the staple cartridge to separate the staple cartridge from the holder, and then remove any jammed staples.



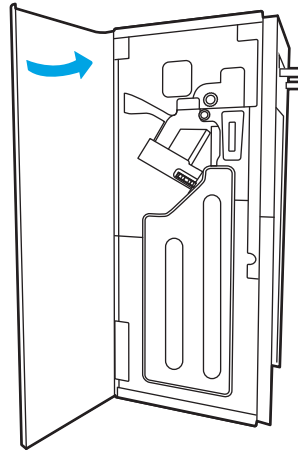
5. Close the lever at the back of the staple cartridge. Be sure that it snaps into place.



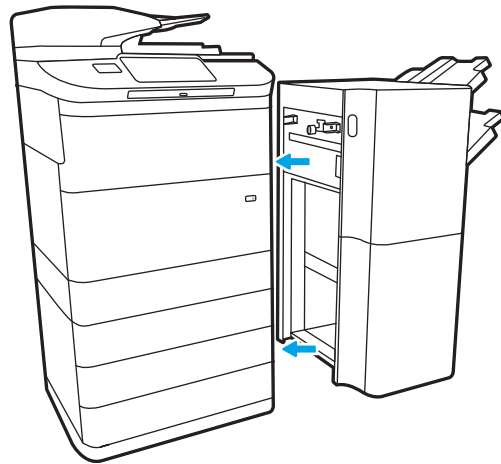
6. Insert the staple cartridge by holding the green wheel with one hand while pushing the staple cartridge into the slot.



7. Close the finisher rear door.



8. Reinstall the finisher.



# Resolving color print quality problems

Use the information below to troubleshoot print-quality, color-quality, and image-quality problems on HP Color LaserJet Enterprise printers.

## Introduction

The troubleshooting steps can help resolve the following defects:

- Blank pages
- Black pages
- Colors that do not align
- Curled paper
- Dark or light bands
- Dark or light streaks
- Fuzzy print
- Gray background or dark print
- Light print
- Loose toner
- Missing toner
- Scattered dots of toner
- Skewed images
- Smears
- Streaks

## Troubleshoot print quality

To resolve print-quality issues, try these steps in the order presented.

To troubleshoot specific image defects, see [Troubleshoot image defects](#).

## Update the printer firmware

Try upgrading the printer firmware.

For instructions, go to [www.hp.com/support](http://www.hp.com/support).

## Print from a different software program

Try printing from a different software program.

If the page prints correctly, the problem is with the software program from which you were printing.

## Check the paper-type setting for the print job


Check the paper type setting when printing from a software program and the printed pages have smears, fuzzy or dark print, curled paper, scattered dots of toner, loose toner, or small areas of missing toner.

### Check the paper type setting on the control panel

Check the paper type setting on the printer control panel, and change the setting as needed.

1. Open and close the paper tray.
2. Follow the control panel prompts to confirm or modify the paper type and size settings for the tray.
3. Make sure the paper loaded meets specifications.
4. Adjust the humidity and resistance setting on the control panel to match the environment.
  - a. Open the following menus:
    1. [Settings](#)
    2. [Print quality](#)
    3. [Adjust paper type](#)
  - b. Select the paper type that matches the type loaded in the tray.
  - c. Use the arrows to increase or decrease the humidity and resistance setting.
5. Make sure the driver settings match the control panel settings.

---


 **NOTE:** The print driver settings will override any control panel settings.

---

### Check the paper type setting (Windows)

Check the paper type setting for Windows, and change the setting as needed.

---

 **NOTE:** The print driver settings will override any control panel settings.

---

1. From the software program, select the **Print** option.
2. Select the printer, and then click the **Properties** or **Preferences** button.
3. Click the **Paper/Quality** tab.
4. From the **Paper Type** drop-down list, click the **More...** option.
5. Expand the list of **Type is:** options.
6. Expand the category of paper types that best describes your paper.
7. Select the option for the type of paper you are using, and click the **OK** button.
8. Click the **OK** button to close the **Document Properties** dialog box. In the **Print** dialog box, click the **OK** button to print the job.

### Check the paper type setting (macOS)

Check the paper type setting for macOS, and change the setting as needed.

1. Click the **File** menu, and then click the **Print** option.
2. In the **Printer** menu, select the printer.
3. By default, the print driver displays the **Copies & Pages** menu. Open the menus drop-down list, and then click the **Finishing** menu.
4. Select a type from the **Media Type** drop-down list.
5. Click the **Print** button.



## Check toner-cartridge status

Follow these steps to check the estimated life remaining in the toner cartridges and if applicable, the status of other replaceable maintenance parts.

### Step one: Print the Supplies Status Page

The supplies status page indicates the cartridge status.

1. From the Home screen on the printer control panel, select the [Reports](#) menu.
2. Select the [Configuration/Status Pages](#) menu.
3. Select [Supplies Status Page](#), and then select [Print](#) to print the page.

### Step two: Check supplies status

Check the supplies status report as follows.

1. Look at the supplies status report to check the percent of life remaining for the toner cartridges and, if applicable, the status of other replaceable maintenance parts.

Print quality problems can occur when using a toner cartridge that is at its estimated end of life. The supplies status page indicates when a supply level is very low. After an HP supply has reached the very low threshold, HP's premium protection warranty on that supply has ended.

The toner cartridge does not need to be replaced now unless the print quality is no longer acceptable. Consider having a replacement available to install when print quality is no longer acceptable.

If you determine that you need to replace a toner cartridge or other replaceable maintenance parts, the supplies status page lists the genuine HP part numbers.

2. Check to see if you are using a genuine HP cartridge.

A genuine HP toner cartridge has the word "HP" on it, or has the HP logo on it. For more information on identifying HP cartridges go to [www.hp.com/go/learnaboutsupplies](http://www.hp.com/go/learnaboutsupplies).

## Print a cleaning page

During the printing process paper, toner, and dust particles can accumulate inside the printer and can cause print-quality issues such as toner specks or spatter, smears, streaks, lines, or repeating marks.

Follow these steps to clean the printer paper path:

1. From the Home screen on the printer control panel, select the [Support Tools](#) menu.
2. Select the following menus:
  - a. [Maintenance](#)
  - b. [Calibration/Cleaning](#)
  - c. [Cleaning Page](#)
3. Select [Print](#) to print the page.


A **Cleaning...** message displays on the printer control panel. The cleaning process takes a few minutes to complete. Do not turn the printer off until the cleaning process has finished. When it is finished, discard the printed page.

## Visually inspect the toner cartridge or cartridges

Follow these steps to inspect each toner cartridge:

1. Remove the toner cartridge from the printer, and verify that the sealing tape has been removed.
2. Check the memory chip for damage.
3. Examine the surface of the green imaging drum.

---

 **CAUTION:** Do not touch the imaging drum. Fingerprints on the imaging drum can cause print-quality problems.

---

4. If you see any scratches, fingerprints, or other damage on the imaging drum, replace the toner cartridge.
5. Reinstall the toner cartridge and print a few pages to see if the problem has resolved.

## Check paper and the printing environment

Use the following information to check the paper selection and the printing environment.

### Step one: Use paper that meets HP specifications

Some print-quality problems arise from using paper that does not meet HP specifications.

- Always use a paper type and weight that this printer supports.
- Use paper that is of good quality and free of cuts, nicks, tears, spots, loose particles, dust, wrinkles, voids, staples, and curled or bent edges.
- Use paper that has not been previously printed on.
- Use paper that does not contain metallic material, such as glitter.
- Use paper that is designed for use in laser printers. Do not use paper that is designed only for use in Inkjet printers.
- Use paper that is not too rough. Using smoother paper generally results in better print quality.

### Step two: Check the environment

The environment can directly affect print quality and is a common cause of print-quality or paper-feeding issues. Try the following solutions:

- Move the printer away from drafty locations, such as open windows or doors, or air-conditioning vents.
- Make sure the printer is not exposed to temperatures or humidity outside of printer specifications.
- Do not place the printer in a confined space, such as a cabinet.
- Place the printer on a sturdy, level surface.
- Remove anything that is blocking the vents on the printer. The printer requires good air flow on all sides, including the top.
- Protect the printer from airborne debris, dust, steam, grease, or other elements that can leave residue inside the printer.

### Step three: Set the individual tray alignment

Follow these steps when text or images are not centered or aligned correctly on the printed page when printing from specific trays.

1. From the Home screen on the printer control panel, select the [Settings](#) menu.
2. Select the following menus:
  - a. [Copy/Print](#) or [Print](#)
  - b. [Print Quality](#)
  - c. [Image Registration](#)
3. Select [Tray](#), and then select the tray to adjust.
4. Select [Print Test Page](#), and then follow the instructions on the printed pages.

5. Select [Print Test Page](#) again to verify the results, and then make further adjustments if necessary.
6. Select [Done](#) to save the new settings.

## Try a different print driver

Try a different print driver when printing from a software program and the printed pages have unexpected lines in graphics, missing text, missing graphics, incorrect formatting, or substituted fonts.

Download any of the following drivers from the HP Web site: [www.hp.com/support/pwcolormfpE77650](http://www.hp.com/support/pwcolormfpE77650), or [www.hp.com/support/pwcolormfpE77660](http://www.hp.com/support/pwcolormfpE77660), or [www.hp.com/support/pwcolorP77940mfp](http://www.hp.com/support/pwcolorP77940mfp), or [www.hp.com/support/pwcolorP77950mfp](http://www.hp.com/support/pwcolorP77950mfp), or [www.hp.com/support/pwcolorP77960mfp](http://www.hp.com/support/pwcolorP77960mfp), or [www.hp.com/support/pwcolorP77440mfp](http://www.hp.com/support/pwcolorP77440mfp).

**Table 9-1** Print drivers

Driver	Description
HP PCL.6 driver	If available, this printer-specific print driver supports older operating systems like Windows XP and Windows Vista. For a list of supported operating systems, go to <a href="http://www.hp.com/go/support">www.hp.com/go/support</a> .
HP PCL 6 driver	This printer-specific print driver supports Windows 7 and newer operating systems that support version 3 drivers. For a list of supported operating systems, go to <a href="http://www.hp.com/go/support">www.hp.com/go/support</a> .
HP PCL-6 driver	This product-specific print driver supports Windows 8 and newer operating systems that support version 4 drivers. For a list of supported operating systems, go to <a href="http://www.hp.com/go/support">www.hp.com/go/support</a> .
HP UPD PS driver	<ul style="list-style-type: none"> <li>• Recommended for printing with Adobe software programs or with other highly graphics-intensive software programs</li> <li>• Provides support for printing from Postscript emulation needs, or for Postscript flash font support</li> </ul>
HP UPD PCL 6	<ul style="list-style-type: none"> <li>• Recommended for printing in all Windows environments</li> <li>• Provides the overall best speed, print quality, and printer feature support for most users</li> <li>• Developed to align with Windows Graphic Device Interface (GDI) for best speed in Windows environments</li> <li>• Might not be fully compatible with third-party and custom software programs that are based on PCL 5</li> </ul>

## Troubleshoot color quality

Calibrating the printer can help ensure color print quality.

### Calibrate the printer to align the colors

Calibration is a printer function that optimizes print quality.

Follow these steps to resolve print-quality problems such as misaligned color, colored shadows, blurry graphics, or other print-quality issues.

1. From the Home screen on the printer control panel, select the [Support Tools](#) menu.
2. Select the following menus:
  - [Maintenance](#)
  - [Calibration/Cleaning](#)
  - [Full Calibration](#)
3. Select [Start](#) to start the calibration process.



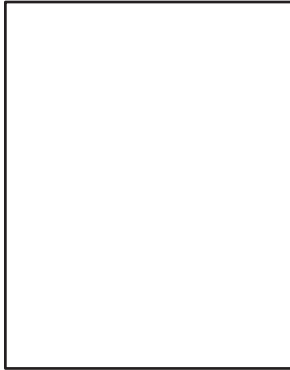
A **Calibrating** message will display on the printer control panel. The calibration process takes a few minutes to complete. Do not turn the printer off until the calibration process has finished.

4. Wait while the printer calibrates, and then try printing again.

## Troubleshoot image defects

Review examples of image defects and steps to resolve these defects.

**Table 9-2** Image defects table quick reference

Defect	Defect	Defect
<a href="#">Table 9-10 Light print on page 251</a> 	<a href="#">Table 9-8 Gray background or dark print on page 250</a> 	<a href="#">Table 9-5 Blank page — No print on page 248</a> 

**Table 9-2** Image defects table quick reference (continued)

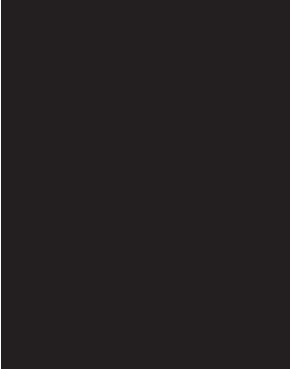

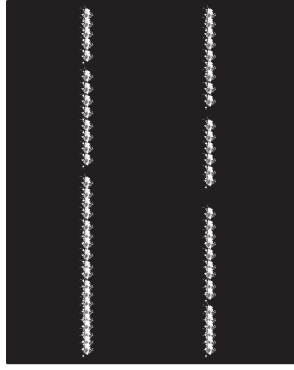
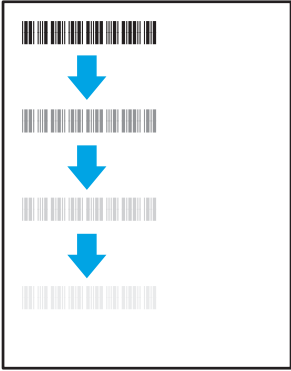


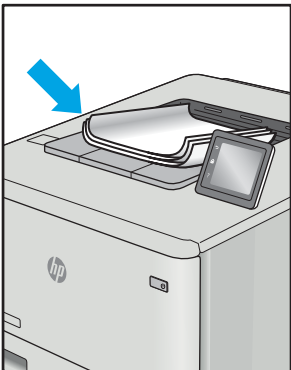

Defect	Defect	Defect
<p data-bbox="114 262 422 289"><a href="#">Table 9-4 Black page on page 248</a></p> 	<p data-bbox="526 262 909 289"><a href="#">Table 9-3 Banding defects on page 247</a></p> 	<p data-bbox="997 262 1348 289"><a href="#">Table 9-12 Streak defects on page 253</a></p> 
<p data-bbox="114 840 502 867"><a href="#">Table 9-7 Fixing/fuser defects on page 249</a></p> 	<p data-bbox="526 840 989 867"><a href="#">Table 9-9 Image placement defects on page 250</a></p> 	<p data-bbox="997 840 1436 892"><a href="#">Table 9-6 Color plane registrations defects (color models only) on page 249</a></p> 
<p data-bbox="114 1312 470 1339"><a href="#">Table 9-11 Output defects on page 252</a></p> 		

Image defects, no matter the cause, can often be resolved using the same steps. Use the following steps as a starting point for solving image defect issues.

1. Reprint the document. Print quality defects can be intermittent in nature or can go away completely with continued printing.
2. Check the condition of the cartridge or cartridges. If a cartridge is in a **Very Low** state (it has passed the rated life), replace the cartridge.
3. Make sure that the driver and tray print mode settings match the media that is loaded in the tray. Try using a different ream of media or a different tray. Try using a different print mode.
4. Make sure the printer is within the supported operating temperature/humidity range.
5. Make sure that the paper type, size, and weight are supported by the printer. See the printer support page at [support.hp.com](http://support.hp.com) for a list of the supported paper sizes and types for the printer.

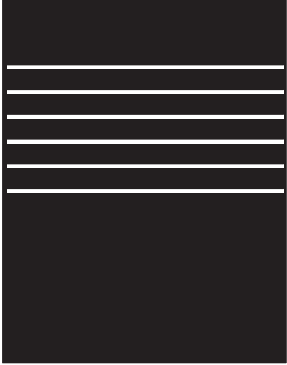
---

 **NOTE:** The term "fusing" refers to the part of the printing process where toner is affixed to paper.

---

The following examples depict letter-size paper that has passed through the printer with the short edge first.

**Table 9-3** Banding defects

Sample	Description	Possible solutions
	<p>Dark or light lines which repeat down the length of the page, and are wide-pitch and/or impulse bands. They might be sharp or soft in nature. The defect displays only in areas of fill, not in text or sections with no printed content.</p>	<ol style="list-style-type: none"> <li>1. Reprint the document.</li> <li>2. Try printing from another tray.</li> <li>3. Replace the cartridge.</li> <li>4. Use a different paper type.</li> <li>5. <b>Enterprise models only:</b> From the Home screen on the printer control panel, go to the <a href="#">Adjust Paper Types</a> menu, and then choose a print mode that is designed for a slightly heavier media than what you are using. This slows the print speed and might improve the print quality.</li> <li>6. If the issue persists, go to <a href="http://support.hp.com">support.hp.com</a>.</li> </ol>

---

Table 9-4 Black page




Sample	Description	Possible solutions
	The entire printed page is black.	<ol style="list-style-type: none"><li>1. Visually inspect the cartridge to check for damage.</li><li>2. Make sure that the cartridge is installed correctly.</li><li>3. Replace the cartridge.</li><li>4. If the issue persists, go to <a href="http://support.hp.com">support.hp.com</a>.</li></ol>

Table 9-5 Blank page — No print

Sample	Description	Possible solutions
	The page is completely blank and contains no printed content.	<ol style="list-style-type: none"><li>1. Make sure that the cartridges are genuine HP cartridges.</li><li>2. Make sure that the cartridge is installed correctly.</li><li>3. Print with a different cartridge.</li><li>4. Check the paper type in the paper tray and adjust the printer settings to match. If necessary, select a lighter paper type.</li><li>5. If the issue persists, go to <a href="http://support.hp.com">support.hp.com</a>.</li></ol>



**Table 9-6** Color plane registrations defects (color models only)

Sample	Description	Possible solutions
	<p>One or more color plane(s) is not aligned with the other color planes. This registration error will typically occur with yellow.</p>	<ol style="list-style-type: none"> <li>1. Reprint the document.</li> <li>2. From the printer control panel, calibrate the printer.</li> <li>3. If a cartridge has reached a <b>Very Low</b> state, or the printed output is severely faded, replace the cartridge.</li> <li>4. From the printer control panel use the <a href="#">Restore Calibration</a> feature to reset the printer's calibration settings to the factory defaults.</li> <li>5. If the issue persists, go to <a href="http://support.hp.com">support.hp.com</a>.</li> </ol>

**Table 9-7** Fixing/fuser defects

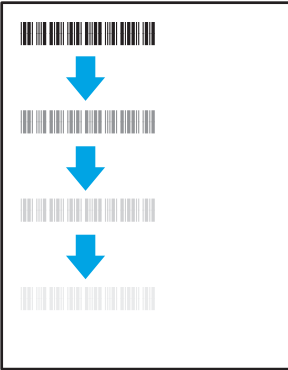
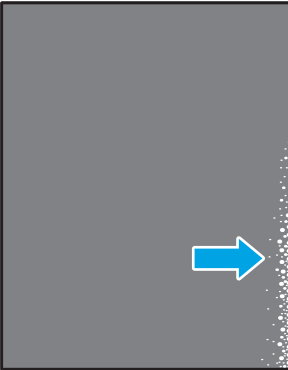
Sample	Description	Possible solutions
	<p>Slight shadows or offsets of the image are repeated down the page. The repeated image might fade with each recurrence.</p>	<ol style="list-style-type: none"> <li>1. Reprint the document.</li> <li>2. Check the paper type in the paper tray and adjust the printer settings to match. If necessary, select a lighter paper type.</li> <li>3. If the issue persists, go to <a href="http://support.hp.com">support.hp.com</a>.</li> </ol>
	<p>Toner rubs off along either edge of the page. This defect is more common at the edges of high-coverage jobs, and on light media types, but can occur anywhere on the page.</p>	<ol style="list-style-type: none"> <li>1. Reprint the document.</li> <li>2. Check the paper type in the paper tray and adjust the printer settings to match. If necessary, select a heavier paper type.</li> <li>3. <b>Enterprise models only:</b> From the printer control panel, go to the <a href="#">Edge-to-Edge</a> menu and then select <a href="#">Normal</a>. Reprint the document.</li> <li>4. <b>Enterprise models only:</b> From the printer control panel, select <a href="#">Auto Include Margins</a> and then reprint the document.</li> <li>5. If the issue persists, go to <a href="http://support.hp.com">support.hp.com</a>.</li> </ol>

Table 9-8 Gray background or dark print


Sample	Description	Possible solutions
	<p>The image or text is darker than expected and/or the background is gray.</p>	<ol style="list-style-type: none"> <li>1. Make sure that the paper in the trays has not already been run through the printer.</li> <li>2. Use a different paper type.</li> <li>3. Reprint the document.</li> <li>4. <b>Mono models only:</b> From the Home screen on the printer control panel, go to the <a href="#">Adjust Toner Density</a> menu, and then adjust the toner density to a lower level.</li> <li>5. Make sure that the printer is within the supported operating temperature and humidity range.</li> <li>6. Replace the cartridge.</li> <li>7. If the issue persists, go to <a href="http://support.hp.com">support.hp.com</a>.</li> </ol>

Table 9-9 Image placement defects


Sample	Description	Possible solutions
	<p>The image is not centered, or is skewed on the page. The defect occurs when the paper is not positioned properly as it is pulled from the tray and moves through the paper path.</p>	<ol style="list-style-type: none"> <li>1. Reprint the document.</li> <li>2. Remove the paper and then reload the tray. Make sure that all the paper edges are even on all sides.</li> <li>3. Make sure that the top of the paper stack is below the tray-full indicator. Do not overfill the tray.</li> <li>4. Make sure that the paper guides are adjusted to the correct size for the paper. Do not adjust the paper guides tightly against the paper stack. Adjust them to the indentations or markings in the tray.</li> <li>5. If the issue persists, go to <a href="http://support.hp.com">support.hp.com</a>.</li> </ol>

Table 9-10 Light print

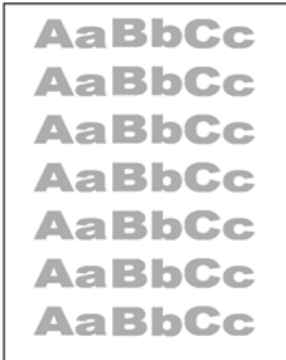
Sample	Description	Possible solutions
	The printed content is light or faded on the entire page.	<ol style="list-style-type: none"><li data-bbox="1082 289 1326 310">1. Reprint the document.</li><li data-bbox="1082 342 1461 495">2. Remove the cartridge, and then shake it to redistribute the toner. Reinsert the toner cartridges into the printer and close the cover. For a graphical representation of this procedure, see <i>Replace the toner cartridges</i>.</li><li data-bbox="1082 527 1461 625">3. <b>Mono models only:</b> Make sure that the <i>EconoMode</i> setting is disabled, both at the printer control panel and in the print driver.</li><li data-bbox="1082 657 1390 705">4. Make sure that the cartridge is installed correctly.</li><li data-bbox="1082 737 1461 785">5. Print a <i>Supplies Status Page</i> and check the life and usage of the cartridge.</li><li data-bbox="1082 816 1318 837">6. Replace the cartridge.</li><li data-bbox="1082 869 1350 905">7. If the issue persists, go to <a href="http://support.hp.com">support.hp.com</a>.</li></ol>

Table 9-11 Output defects

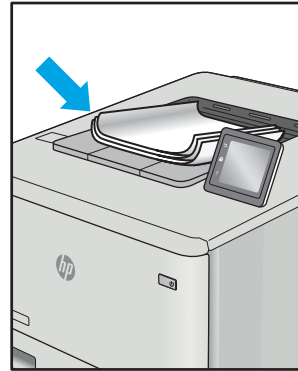

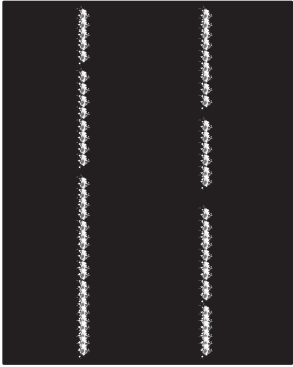
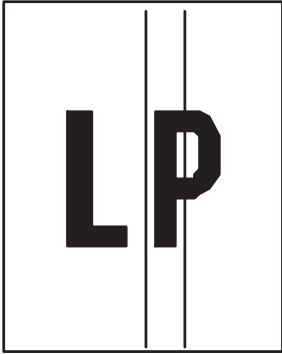
Sample	Description	Possible solutions
	<p>Printed pages have curled edges. The curled edge can be along the short or long side of the paper. Two types of curl are possible:</p> <ul style="list-style-type: none"> <li>• <b>Positive curl:</b> The paper curls toward the printed side. The defect occurs in dry environments or when printing high-coverage pages.</li> <li>• <b>Negative curl:</b> The paper curls away from the printed side. The defect occurs in high-humidity environments or when printing low-coverage pages.</li> </ul>	<ol style="list-style-type: none"> <li>1. Reprint the document.</li> <li>2. <b>Positive curl:</b> From the printer control panel, select a heavier paper type. The heavier paper type creates a higher temperature for printing.  <b>Negative curl:</b> From the printer control panel, select a lighter paper type. The lighter paper type creates a lower temperature for printing. Try storing the paper in a dry environment prior to use, or use freshly opened paper.</li> </ol>
	<p>The paper does not stack well in the output tray. The stack might be uneven, skewed, or the pages might be pushed out of the tray and onto the floor. Any of the following conditions can cause this defect:</p> <ul style="list-style-type: none"> <li>• Extreme paper curl</li> <li>• The paper in the tray is wrinkled or deformed</li> <li>• The paper is a non-standard paper type, such as envelopes</li> <li>• The output tray is too full</li> </ul>	<ol style="list-style-type: none"> <li>1. Reprint the document.</li> <li>2. Extend the output bin extension.</li> <li>3. If the defect is caused by extreme paper curl, refer to the troubleshooting steps for "Output curl."</li> <li>4. Use a different paper type.</li> <li>5. Use freshly opened paper.</li> <li>6. Remove the paper from the output tray before the tray gets too full.</li> <li>7. If the issue persists, go to <a href="http://support.hp.com">support.hp.com</a>.</li> </ol>

Table 9-12 Streak defects

Sample	Description	Possible solutions
	Light vertical streaks that usually span the length of the page. The defect displays only in areas of fill, not in text or sections with no printed content.	<ol style="list-style-type: none"><li>1. Reprint the document.</li><li>2. Remove the cartridge, and then shake it to redistribute the toner. Reinsert the toner cartridges into the printer and close the cover. For a graphical representation of this procedure, see <i>Replace the toner cartridges</i>.</li><li>3. If the issue persists, go to <a href="http://support.hp.com">support.hp.com</a>.</li></ol>
	Dark vertical lines which occur down the length of the page. The defect might occur anywhere on the page, in areas of fill or in sections with no printed content. On color models, these lines or streaks will also be visible on the ITB cleaning page.	<ol style="list-style-type: none"><li>1. Reprint the document.</li><li>2. Remove the cartridge, and then shake it to redistribute the toner. Reinsert the toner cartridges into the printer and close the cover. For a graphical representation of this procedure, see <i>Replace the toner cartridges</i>.</li><li>3. Print a cleaning page.</li><li>4. Check the toner level in the cartridge.</li><li>5. If the issue persists, go to <a href="http://support.hp.com">support.hp.com</a>.</li></ol>

**NOTE:** Both light and dark vertical streaks can occur when the printing environment is outside the specified range for temperature or humidity. Refer to your printer's environmental specifications for allowable temperature and humidity levels.

## Improve copy image quality

If the printer is having copy quality problems, try the following solutions in the order presented to resolve the issue.

Try these few simple steps first:

- Use the flatbed scanner rather than the document feeder.
- Use high-quality originals.
- When using the document feeder, load the original document into the feeder correctly, using the paper guides, to avoid unclear or skewed images.

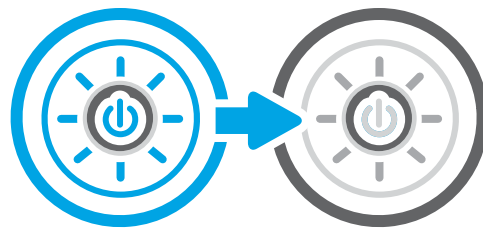
If the problem still exists, try these additional solutions. If they do not fix the problem, see “Improve print quality” for further solutions.

## Check the scanner glass for dirt and smudges

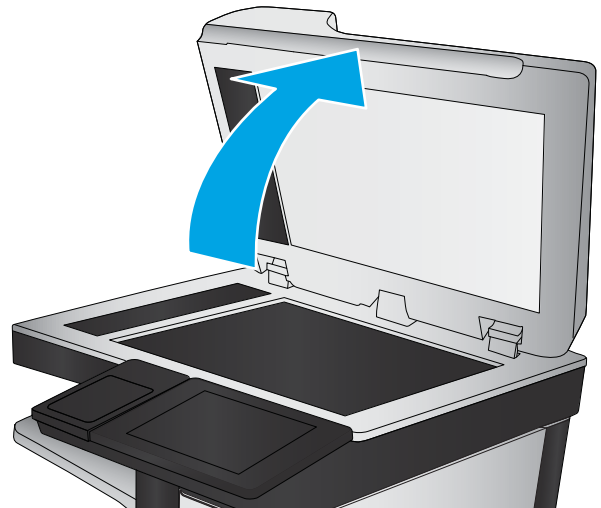
Learn about solving copy-quality debris problems.

Over time, specks of debris might collect on the scanner glass and document feeder white plastic backing, which might cause print defects. Use the following procedure to clean the scanner if the printed pages have streaks, unwanted lines, black dots, poor print quality, or unclear text.

1. Press the power button to turn the printer off, and then disconnect the power cable from the electrical outlet.




2. Open the scanner lid.

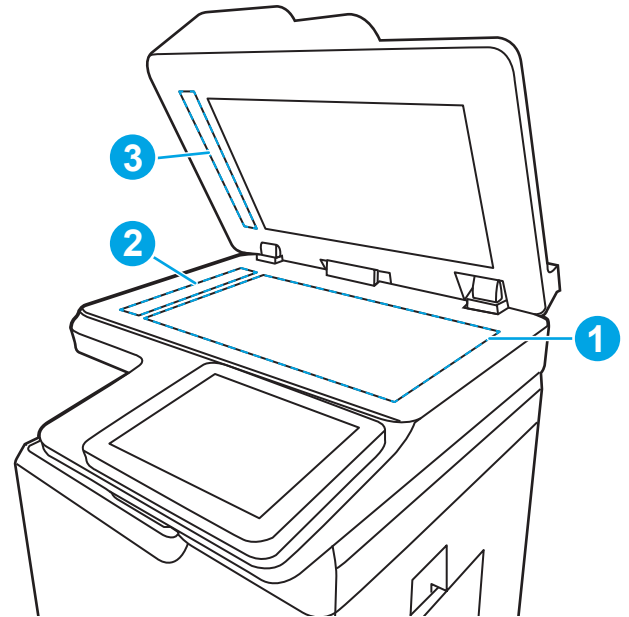


3. Clean the scanner glass (callout 1) and the document feeder strips (callout 2, callout 3) with a soft cloth or sponge that has been moistened with nonabrasive glass cleaner.

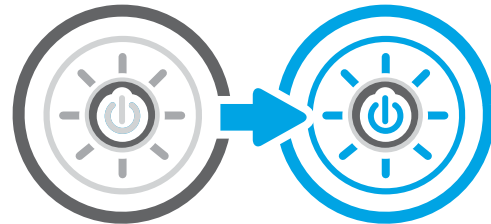
**CAUTION:** Do not use abrasives, acetone, benzene, ammonia, ethyl alcohol, or carbon tetrachloride on any part of the printer; these can damage the printer. Do not place liquids directly on the glass or platen. They might seep and damage the printer.

**NOTE:** If you are having trouble with streaks on copies when you are using the document feeder, be sure to clean the small strips of glass on the left side of the scanner (callout 2, callout 3).

 [View a video of cleaning the document feeder glass and flatbed glass.](#)




4. Dry the glass and white plastic parts with a chamois or a cellulose sponge to prevent spotting.
5. Connect the power cable to an outlet, and then press the power button to turn the printer on.



## Calibrate the scanner

Calibration is a process that optimizes scan quality.

 **NOTE:** When using the document feeder, make sure to adjust the guides in the input tray so they are against the original document.

1. From the Home screen on the printer control panel, navigate to the [Support Tools](#) application, and then select the [Support Tools](#) icon.
2. Open the following menus:
  - a. [Maintenance](#)
  - b. [Calibration/Cleaning](#)
  - c. [Calibrate Scanner](#)
3. Touch the [Start](#) button to start the calibration process. Follow the on-screen prompts.
4. Wait while the printer calibrates, and then try copying again.

## Check the paper settings

Follow these steps if copied pages have smears, fuzzy or dark print, curled paper, or areas where pigment has dropped out.

## Check the paper selection options

Use the following steps to check the paper selection options.

1. From the Home screen on the printer control panel, navigate to the [Copy](#) application, and then select the [Copy](#) icon.
2. Select [Options](#), and then scroll to and select [Paper Selection](#).
3. Select [Paper size](#), and then select one of the predefined options.
4. Select [Paper type](#), and then select one of the predefined options.
5. Select [Paper tray](#), and then select one of the predefined options.
6. Select [Done](#) to save the paper selection options.

## Check the image-adjustment settings

Adjust the settings in the [Copy](#) menu to optimize image quality.

- **Sharpness:** Clarify or soften the image. For example, increasing the sharpness could make text appear crisper, but decreasing it could make photos appear smoother.
  - **Darkness:** Increase or decrease the amount of white and black used in colors in scanned images.
  - **Contrast:** Increase or decrease the difference between the lightest and the darkest color on the page.
  - **Background Cleanup:** Remove faint colors from the background of scanned images. For example, if the original document is printed on colored paper, use this feature to lighten the background without affecting the darkness of the image.
  - **Automatic Tone:** Available for Flow printers only. The printer automatically adjusts the [Darkness](#), [Contrast](#), and [Background Cleanup](#) settings to the most appropriate for the scanned document.
1. From the Home screen on the printer control panel, navigate to the [Copy](#) application, and then select the [Copy](#) icon.
  2. Select [Options](#), and then scroll to and select [Image Adjustment](#).
  3. Adjust the sliders to set the levels, and select [Done](#).
  4. Select [Copy](#) to start the copy job.



---

**NOTE:** These settings are temporary. After you have finished the job, the printer returns to the default settings.

## Optimize copy quality for text or pictures


Optimize the copy job for the type of image being copied: text, graphics, or photos.

1. From the Home screen on the printer control panel, navigate to the [Copy](#) application, and then select the [Copy](#) icon.
2. Select [Options](#), and then select [Optimize Text/Picture](#).



3. Select one of the predefined options.
4. Select [Copy](#) to start the copy job.

---

 **NOTE:** These settings are temporary. After you have finished the job, the printer returns to the default settings.

## Edge-to-edge copying

Use this feature to avoid shadows that can appear along the edges of copies when the original document is printed close to the edges.

1. From the Home screen on the printer control panel, navigate to the [Copy](#) application, and then select the [Copy](#) icon.
2. Select [Options](#), and then select [Edge-To-Edge](#).
3. Select the [Edge-To-Edge output](#) option if the original document is printed close to the paper edges.
4. Select [Copy](#) to start the copy job.

## Improve scan image quality

Try the following basic solutions to improve scanned image quality.

- Use the flatbed scanner rather than the document feeder.
- Use high-quality originals.
- When using the document feeder, load the original document into the feeder correctly, using the paper guides, to avoid unclear or skewed images.

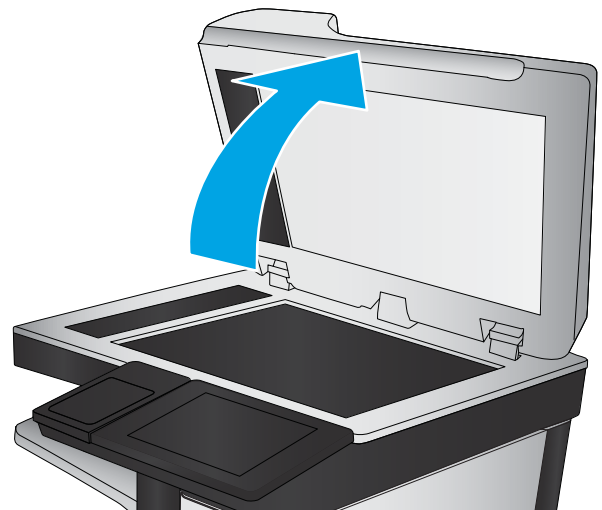
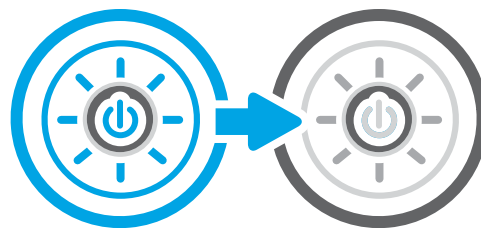
If the problem still exists, try these additional solutions. If they do not fix the problem, see “Improve print quality” for further solutions.

## Check the scanner glass for dirt and smudges

Learn about solving copy-quality debris problems.

Over time, specks of debris might collect on the scanner glass and document feeder white plastic backing, which might cause print defects. Use the following procedure to clean the scanner if the printed pages have streaks, unwanted lines, black dots, poor print quality, or unclear text.

1. Press the power button to turn the printer off, and then disconnect the power cable from the electrical outlet.
2. Open the scanner lid.

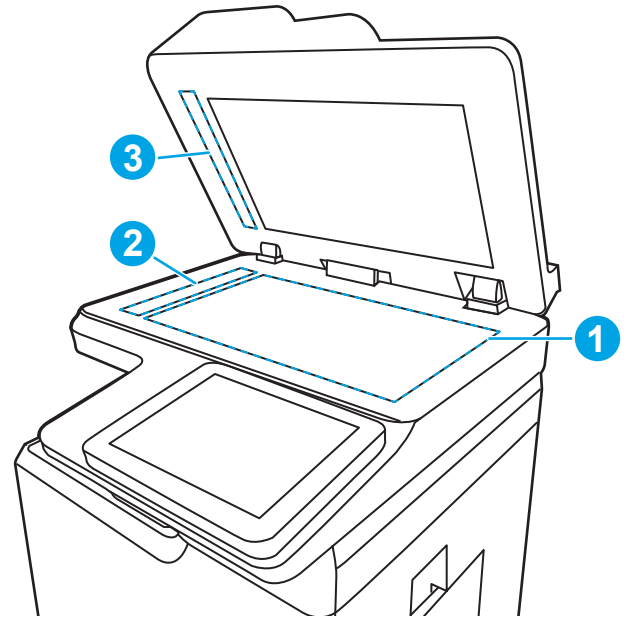


3. Clean the scanner glass (callout 1) and the document feeder strips (callout 2, callout 3) with a soft cloth or sponge that has been moistened with nonabrasive glass cleaner.

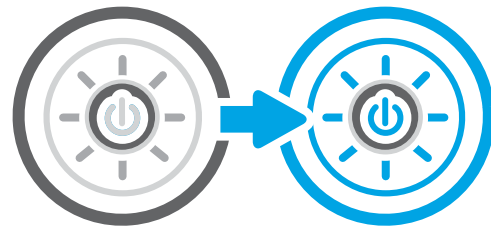
**CAUTION:** Do not use abrasives, acetone, benzene, ammonia, ethyl alcohol, or carbon tetrachloride on any part of the printer; these can damage the printer. Do not place liquids directly on the glass or platen. They might seep and damage the printer.

**NOTE:** If you are having trouble with streaks on copies when you are using the document feeder, be sure to clean the small strips of glass on the left side of the scanner (callout 2, callout 3).

 [View a video of cleaning the document feeder glass and flatbed glass.](#)



4. Dry the glass and white plastic parts with a chamois or a cellulose sponge to prevent spotting.
5. Connect the power cable to an outlet, and then press the power button to turn the printer on.



## Check the resolution settings

Follow these steps to adjust the resolution setting. Setting the resolution to a high value increases the file size and the scan time.

1. From the Home screen on the printer control panel, navigate to the [Scan](#) application, and then select the [Scan](#) icon.
2. Select one of the following Scan features:
  - [Scan to Email](#)
  - [Scan to Network Folder](#)
  - [Scan to USB Drive](#)
  - [Scan to SharePoint®](#)
3. Select [Options](#), and then select [File Type and Resolution](#).
4. Select one of the predefined [Resolution](#) options, and then select [Done](#).
5. Select [Send](#) or [Save](#) to start the scan.

## Check the color settings

Follow these steps to adjust the color setting.

1. From the Home screen on the printer control panel, navigate to the [Scan](#) application, and then select the [Scan](#) icon.
2. Select one of the following Scan features:
  - [Save to Device Memory](#)
  - [Scan to Email](#)
  - [Scan to Network Folder](#)
  - [Scan to USB](#)
  - [Scan to SharePoint®](#)
3. Touch the [Options](#) button.
4. In the Options pane, scroll to and select [Color/Black](#).
5. Select one of the predefined options.
6. Touch the [Send](#) button.


## Check the image-adjustment settings

Adjust the settings in the [Scan](#) menu to optimize image quality.

- **Sharpness:** Clarify or soften the image. For example, increasing the sharpness could make text appear crisper, but decreasing it could make photos appear smoother.
  - **Darkness:** Increase or decrease the amount of white and black used in colors in scanned images.
  - **Contrast:** Increase or decrease the difference between the lightest and the darkest color on the page.
  - **Background Cleanup:** Remove faint colors from the background of scanned images. For example, if the original document is printed on colored paper, use this feature to lighten the background without affecting the darkness of the image.
  - **Automatic Tone:** Available for Flow printers only. The printer automatically adjusts the [Darkness](#), [Contrast](#), and [Background Cleanup](#) settings to the most appropriate for the scanned document.
1. From the Home screen on the printer control panel, navigate to the [Scan](#) application, and then select the [Scan](#) icon.
  2. Select one of the following Scan features:
    - [Scan to Email](#)
    - [Scan to Network Folder](#)
    - [Scan to USB Drive](#)
    - [Scan to Job Storage](#)
    - [Scan to SharePoint®](#)

3. Select [Options](#), and then select [Image Adjustment](#).
4. Adjust the sliders to set the levels, and then select [Done](#).
5. Select [Send](#) or [Save](#) to start the scan.

---

 **NOTE:** These settings are temporary. After you have finished the job, the printer returns to the default settings.

---

## Optimize scan quality for text or pictures

Optimize the scan job for the type of image being scanned: text, graphics, or photos.

1. From the Home screen on the printer control panel, navigate to the [Scan](#) application, and then select the [Scan](#) icon.
2. Select one of the following Scan features:
  - [Scan to Email](#)
  - [Scan to Network Folder](#)
  - [Scan to USB Drive](#)
  - [Scan to Job Storage](#)
  - [Scan to SharePoint®](#)
3. Select [Options](#), and then select [Optimize Text/Picture](#).
4. Select one of the predefined options.
5. Select [Send](#) or [Save](#) to start the scan.

---

 **NOTE:** These settings are temporary. After you have finished the job, the printer returns to the default settings.

---

## Check the output-quality settings

This setting adjusts the level of compression when saving the file. For the highest quality, select the highest setting.

1. From the Home screen on the printer control panel, navigate to the [Scan](#) application, and then select the [Scan](#) icon.
2. Select one of the following Scan features:
  - [Scan to Email](#)
  - [Scan to Network Folder](#)
  - [Scan to USB Drive](#)
  - [Scan to SharePoint®](#)
3. Select [Options](#), and then select [File Type and Resolution](#).
4. Select one of the predefined [Quality and File Size](#) options, and then select [Done](#).
5. Select [Send](#) or [Save](#) to start the scan.

## Improve fax image quality

If the printer is having fax quality problems, try the following solutions in the order presented to resolve the issue.

Try these few simple steps first:

- Use the flatbed scanner rather than the document feeder.
- Use high-quality originals.
- When using the document feeder, load the original document into the feeder correctly, using the paper guides, to avoid unclear or skewed images.

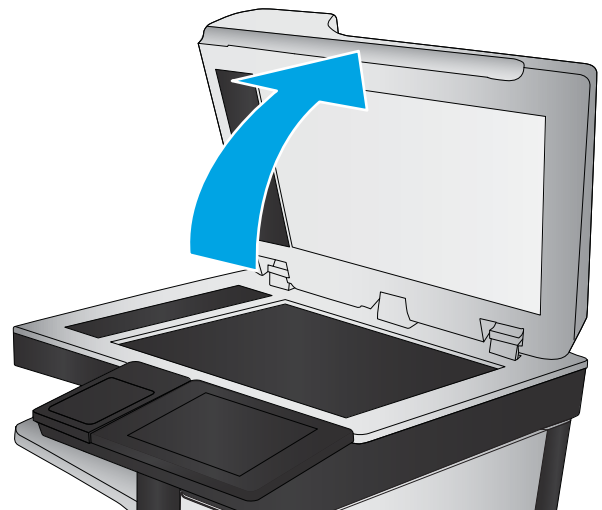
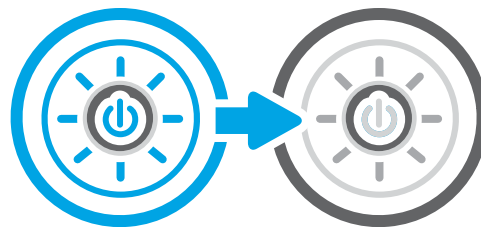
If the problem still exists, try these additional solutions. If they do not fix the problem, see “Improve print quality” for further solutions.

## Check the scanner glass for dirt and smudges

Learn about solving copy-quality debris problems.

Over time, specks of debris might collect on the scanner glass and document feeder white plastic backing, which might cause print defects. Use the following procedure to clean the scanner if the printed pages have streaks, unwanted lines, black dots, poor print quality, or unclear text.


1. Press the power button to turn the printer off, and then disconnect the power cable from the electrical outlet.
2. Open the scanner lid.

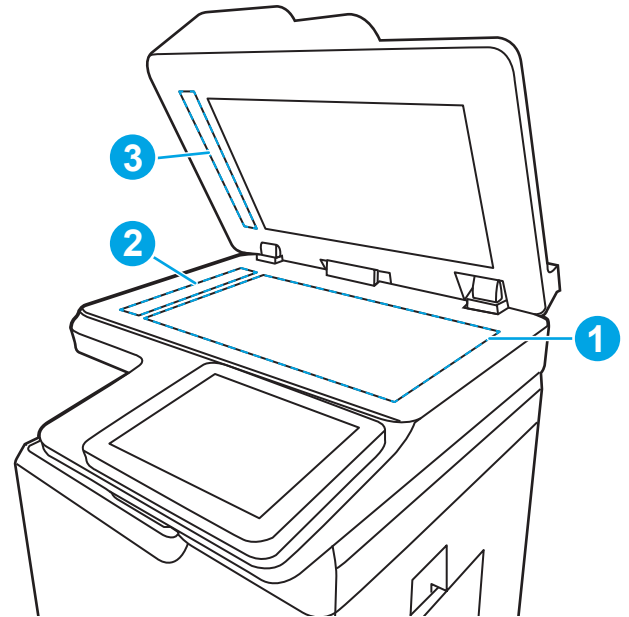


3. Clean the scanner glass (callout 1) and the document feeder strips (callout 2, callout 3) with a soft cloth or sponge that has been moistened with nonabrasive glass cleaner.

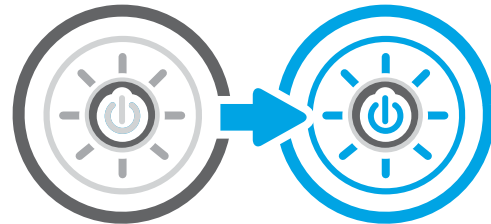
**CAUTION:** Do not use abrasives, acetone, benzene, ammonia, ethyl alcohol, or carbon tetrachloride on any part of the printer; these can damage the printer. Do not place liquids directly on the glass or platen. They might seep and damage the printer.

**NOTE:** If you are having trouble with streaks on copies when you are using the document feeder, be sure to clean the small strips of glass on the left side of the scanner (callout 2, callout 3).

 [View a video of cleaning the document feeder glass and flatbed glass.](#)



4. Dry the glass and white plastic parts with a chamois or a cellulose sponge to prevent spotting.
5. Connect the power cable to an outlet, and then press the power button to turn the printer on.



## Check the send-fax resolution settings

Adjust the resolution of outgoing faxes as needed. A higher resolution setting increases the fax size and send time.

1. From the Home screen on the printer control panel, navigate to the **Fax** application, and then select the **Fax** icon.
2. Select **Options**.
3. In the Options pane, scroll to and select **Resolution**.
4. Select one of the predefined options, and then select **Send** to send the fax.


## Check the image-adjustment settings

Adjust the settings in the **Fax** menu to optimize image quality.

- **Sharpness:** Clarify or soften the image. For example, increasing the sharpness could make text appear crisper, but decreasing it could make photos appear smoother.
- **Darkness:** Increase or decrease the amount of white and black used in colors in scanned images.
- **Contrast:** Increase or decrease the difference between the lightest and the darkest color on the page.

- **Background Cleanup:** Remove faint colors from the background of scanned images. For example, if the original document is printed on colored paper, use this feature to lighten the background without affecting the darkness of the image.
  - **Automatic Tone:** Available for Flow printers only. The printer automatically adjusts the **Darkness**, **Contrast**, and **Background Cleanup** settings to the most appropriate for the scanned document.
1. From the Home screen on the printer control panel, navigate to the **Fax** application, and then select the **Fax** icon.
  2. Select **Options**.
  3. In the Options pane, scroll to and select **Image Adjustment**.
  4. Adjust the sliders to set the levels, and then select **Done**.
  5. Select **Send** to send the fax.

---

 **NOTE:** These settings are temporary. After you have finished the job, the printer returns to the default settings.

## Optimize fax quality for text or pictures

Optimize the fax job for the type of image being scanned: text, graphics, or photos.

1. From the Home screen on the printer control panel, navigate to the **Fax** application, and then select the **Fax** icon.
2. Select **Options**.
3. In the Options pane, scroll to and select **Optimize Text/Picture**.
4. Select one of the predefined options.
5. Select **Send** to send the fax.

---

 **NOTE:** These settings are temporary. After you have finished the job, the printer returns to the default settings.

## Check the error-correction setting

Make sure the **Error Correction Mode** setting is enabled. This setting can improve image quality.

1. From the Home screen on the printer control panel, navigate to the **Settings** application, and then select the **Settings** icon.
2. Open the following menus:
  - a. **Fax**
  - b. **Fax Send Settings**
  - c. **General Fax Send Settings**
3. Select the **Error Correction Mode** option. Touch the **Done** button.

## Check the fit-to-page setting

If the **Fit to Page** setting is enabled, and the incoming fax is larger than the default page size, the printer attempts to scale the image to fit the page. If this setting is disabled, larger images split across multiple pages.



1. From the Home screen on the printer control panel, navigate to the [Settings](#) application, and then select the [Settings](#) icon.
2. Open the following menus:
  - a. [Fax](#)
  - b. [Fax Receive Settings](#)
  - c. [Default Job Options](#)
  - d. [Fit to Page](#)
3. Select the [On](#) option to enable the setting, or select the [Off](#) option to disable it.

## Send to a different fax machine

The problem might be related to fax machine settings or supplies status.

Try sending the fax to a different fax machine. If the fax quality is better, the problem is related to the initial recipient's fax machine settings or supplies status.

## Check the sender's fax machine

Try the following to check the sender's fax machine.

Ask the sender to try sending from a different fax machine. If the fax quality is better, the problem is with the sender's fax machine. If a different fax machine is unavailable, ask the sender to consider making the following changes:

- Make sure the original document is on white (not colored) paper.
- Increase the fax resolution, quality level, or contrast settings.
- If possible, send the fax from a computer software program.

## Solve wired network problems

Contact your managed service representative. Make sure that you know your product model number, which appears on the product label on the back of the printer.

## Solve wireless network problems

Contact your managed service representative. Make sure that you know your product model number, which appears on the product label on the back of the printer.

## Solve fax problems


Use the following sections to solve issues involving the printer fax functions.

## Checklist for solving fax problems

Use the following checklist to help identify the cause of any fax-related problems you encounter:

- **Are you using the fax cable supplied with the fax accessory?** This fax accessory has been tested with the supplied fax cable to meet RJ11 and functional specifications. Do not substitute another fax cable; the analog-fax accessory requires an analog-fax cable. It also requires an analog phone connection.
- **Is the fax/phone line connector seated in the outlet on the fax accessory?** Make sure that the phone jack is correctly seated in the outlet. Insert the connector into the outlet until it "clicks."

---

 **NOTE:** Verify that the phone jack is connected to the fax port rather than to the network port. The ports are similar.

---


- **Is the phone wall jack working properly?** Verify that a dial tone exists by attaching a phone to the wall jack. Can you hear a dial tone, and can you make or receive a phone call?

### What type of phone line are you using?

Verify the type of phone line you are using, and review the recommendations for that type of line.

- **Dedicated line:** A standard analog fax/phone line assigned to receive or send faxes.

---

 **NOTE:** The phone line should be for printer fax use only and not shared with other types of telephone devices. Examples include alarm systems that use the phone line for notifications to a monitoring company.

---

- **PBX system:** A business-environment phone system. Standard home phones and the fax accessory use an analog phone signal. Some PBX systems are digital and might not be compatible with the fax accessory. You might need an interfacing Analog Telephone Adapter (ATA) to connect the fax machine to digital PBX systems.
- **Roll-over lines:** A phone system feature where a new call "rolls over" to the next available line when the first incoming line is busy. Try attaching the printer to the first incoming phone line. The fax accessory answers the phone after it rings the number of times set in the rings-to-answer setting.

### Are you using a surge-protection device?

A surge-protection device can be used between the wall jack and the fax accessory to protect the fax accessory against electrical power passed through the phone lines. These devices can cause some fax communication problems by degrading the quality of the phone signal.

If you are having problems sending or receiving faxes and are using one of these devices, connect the printer directly to the phone jack on the wall to determine whether the problem is with the surge-protection device.

### Are you using a phone company voice-messaging service or an answering machine?

If the rings-to-answer setting for the messaging service is lower than the rings-to-answer setting for the fax accessory, the messaging service answers the call, and the fax accessory cannot receive faxes.

If the rings-to-answer setting for the fax accessory is lower than that of the messaging service, the fax accessory answers all calls.

### Does your phone line have a call-waiting feature?


If the fax telephone line has an activated call-waiting feature, a call-waiting notice can interrupt a fax call in progress, which causes a communication error.

Ensure that a call-waiting feature is not active on the fax telephone line.


## Check fax accessory status

If the analog-fax accessory does not appear to be functioning, print a [Configuration Page](#) report to check the status.

1. From the Home screen, scroll to and select [Reports](#).
2. Open the following menus:
  - a. [Configuration/Status Pages](#)
  - b. [Configuration Page](#)
3. Touch the [Print](#) button to print the report, or touch the [View](#) button to view the report on the screen. The report consists of several pages.

 **NOTE:** The printer IP address or host name is listed on the Jetdirect Page.

4. On the Fax Accessory Page of the Configuration Page, under the Hardware Information heading, check the Modem Status. The following table identifies the status conditions and possible solutions.

 **NOTE:** If the Fax Accessory Page does not print, there might be a problem with the analog fax accessory. If you are using LAN fax or Internet fax, those configurations could be disabling the feature.

**Table 9-13** Analog-fax accessory troubleshooting

Status conditions	Possible solutions
Operational / Enabled <sup>1</sup>	The analog-fax accessory is installed and ready.
Operational / Disabled <sup>1</sup>	<p>The fax accessory is installed, but you have not configured the required fax settings yet.</p> <p>The fax accessory is installed and operational; however, the HP Digital Sending utility has either disabled the printer fax feature or has enabled LAN fax. When LAN fax is enabled, the analog-fax feature is disabled. Only one fax feature, either LAN fax or analog fax, can be enabled at a time.</p> <p><b>NOTE:</b> If LAN fax is enabled, the <a href="#">Scan to Fax</a> feature is unavailable on the printer control panel.</p>
Non-Operational / Enabled/Disabled <sup>1</sup>	The printer has detected a firmware failure. Upgrade the firmware.
Damaged / Enabled/Disabled <sup>1</sup>	The fax accessory has failed. Reseat the fax accessory card and check for bent pins. If the status is still DAMAGED, replace the analog-fax accessory card.

<sup>1</sup> ENABLED indicates that the analog-fax accessory is enabled and turned on; DISABLED indicates that LAN fax is enabled (analog fax is turned off).

## General fax problems

Learn about solutions for common fax problems.

### The fax failed to send

Verify the fax issue, and try the suggested solution.

JBIG is enabled, and the receiving fax machine does not have JBIG capability.

Turn off the JBIG setting.

### No fax address book button displays

Verify the fax issue, and try the suggested solution.

None of the contacts in the selected contacts list have fax information associated with them. Add the necessary fax information.

### Not able to locate the Fax settings in HP Web Jetadmin

Verify the fax issue, and try the suggested solution.

Fax settings in HP Web Jetadmin are located under the device's status page drop-down menu.

Select **Digital Sending and Fax** from the drop-down menu.

### The header is appended to the top of the page when the overlay option is enabled

This fax issue is a normal part of operation.

For all forwarded faxes, the printer appends the overlay header to the top of a page.

This is normal operation.

### A mix of names and numbers is in the recipients box

This fax issue is a normal part of operation.

Names and numbers can both display, depending on where they are from. The fax address book lists names, and all other databases list numbers.

This is normal operation.

### A one-page fax prints as two pages

Verify the fax issue, and try the suggested solution.

The fax header is being appended to the top of the fax, pushing text to a second page.

To print a one page fax on a single page, set the overlay header to overlay mode, or adjust the fit-to-page setting.

### A document stops in the document feeder in the middle of faxing

Verify the fax issue, and try the suggested solution.

A jam is in the document feeder.

Clear the jam, and send the fax again.

### The volume for sounds coming from the fax accessory is too high or too low

Verify the fax issue, and try the suggested solution.

The volume setting needs to be adjusted.

Adjust the volume in the [Fax Send Settings](#) menu and the [Fax Receive Settings](#) menu.

# Index

## Symbols/Numerics

- 1x550-sheet trays
  - loading labels 61
- 550-sheet trays
  - jams 203

## A

- accessories
  - ordering 68
  - overview 67
- acoustic specifications 34
- AirPrint 93, 95
- alternative letterhead mode 38, 44, 45, 52, 53, 58
- Android devices
  - printing from 93, 96

## B

- bin, output
  - locating 5, 6, 7, 8
- Bonjour
  - identifying 172
- browser requirements
  - HP Embedded Web Server 172

## C

- calibrate
  - colors 245
  - scanner 254
- cartridge
  - low threshold settings 193
  - replacing 72
  - using when low 193
- cleaning
  - glass 254, 258, 262
  - paper path 238
- colors
  - calibrate 245

- control panel
  - help 191
  - locating 5, 6, 7, 8
  - locating features 15
- copy
  - optimize for text or pictures 254
- copy settings
  - HP Embedded Web Server 172, 174, 176
- copying
  - overview 101
  - resolution 19

## D

- default gateway, setting 183
- deleting
  - stored jobs 89, 92
- digital send settings
  - HP Embedded Web Server 172, 174, 177
- digital sending
  - folders 153
  - printer memory 150
  - sending documents 147
  - USB 158
- dimensions, printer 31
- document feeder
  - capacity 19
  - locating 5, 6, 7, 8
  - paper-feeding problems 195, 202
- double-sided printing
  - Mac 86
  - Windows 82
- duplex printing
  - Mac 86
- duplex printing (double-sided)
  - settings (Windows) 82
  - Windows 82

- duplexer
  - jams 203
- duplexing
  - manually (Mac) 86
  - manually (Windows) 82

## E

- easy-access USB printing 97
- edge-to-edge copying 254
- electrical specifications 34
- Embedded Web Server
  - changing network settings 183
  - changing printer name 183
  - opening 183
- Embedded Web Server (EWS)
  - assigning passwords 186, 187
  - features 172
  - network connection 172
- energy use, optimizing 189
- envelopes
  - orientation 38, 39
- envelopes, loading 59
- Ethernet (RJ-45)
  - locating 10, 11, 12
- Explorer, versions supported
  - HP Embedded Web Server 172

## F

- fax
  - block 169
  - feeding problems 266, 269
  - optimize for text or pictures 262
  - overview 161
  - required settings 162
  - settings 163, 169
  - setup 162
- fax port
  - locating 10

- fax settings
  - HP Embedded Web Server 172, 174, 178
  - required 162
- feeding problems 266, 269
- folders
  - sending to 153
- formatter
  - locating 10, 11, 12

**G**

- gateway, setting default 183
- general configuration
  - HP Embedded Web Server 172, 174, 175
- glass, cleaning 254, 258, 262

**H**

- hard disks
  - encrypted 186, 188
- hardware integration pocket (HIP)
  - locating 5, 6, 7, 8
- HCI. *See* high-capacity input tray
- Help button
  - locating 15
- help, control panel 191
- Hi-Speed USB 2.0 printing port
  - locating 10, 11, 12
- high-capacity input tray
  - loading 53
- HIP (hardware integration pocket)
  - locating 5, 6, 7, 8
- Home button
  - locating 15
- HP Embedded Web Server
  - changing network settings 183
  - changing printer name 183
  - copy settings 172, 174, 176
  - digital send settings 172, 174, 177
  - fax settings 172, 174, 178
  - general configuration 172, 174, 175
  - HP Web Services 172, 174, 180
  - information pages 172, 174
  - network settings 172, 174, 181
  - opening 183
  - other links list 172, 174, 176
  - print settings 172, 174, 176
  - scan settings 172, 174, 177

- security settings 172, 174, 179
- supplies 179
- troubleshooting tools 172, 174, 179
- HP Embedded Web Server (EWS)
  - features 172
  - network connection 172
- HP ePrint 93
- HP ePrint software 93
- HP JetAdvantage business solutions 160
- HP Web Jetadmin 190
- HP Web Services
  - enabling 172, 174, 180

**I**

- image quality
  - check toner-cartridge status 238, 241
- information pages
  - HP Embedded Web Server 172, 174
- inner finisher
  - locating 7
- inner finisher accessory
  - configure the operation mode 63, 64
- interface ports
  - locating 10, 11, 12
- Internet Explorer, versions supported
  - HP Embedded Web Server 172
- IP Security 186, 188
- IPsec 186, 188
- IPv4 address 183
- IPv6 address 183

**J**

- jams
  - 550-sheet trays 203
  - auto-navigation 203
  - causes of 204
  - duplexer 203
  - locations 203
  - output bin 203
  - Tray 1 203
  - Tray 2 203
- jams, paper
  - locations 203
- Jetadmin, HP Web 190
- JetAdvantage 160

- jobs, stored
  - creating (Windows) 89
  - deleting 89, 92
  - Mac settings 89
  - printing 89

**K**

- keyboard
  - locating 5, 6, 7, 8

**L**

- label
  - orientation 61
- labels
  - printing (Windows) 82
  - printing on 61
- labels, loading 61
- LAN port
  - locating 10, 11, 12
- left door
  - locating 5, 6, 7, 8
- loading
  - paper in the 4,000-sheet high-capacity input tray 53
  - paper in Tray 1 38
  - paper in Tray 2 45
- local area network (LAN)
  - locating 10, 11, 12
- lock
  - formatter 186, 188

**M**

- Mac driver settings
  - Job Storage 89
- maintenance kits
  - part numbers 70
- managing network 183
- managing the printer
  - overview 171
- manual duplex
  - Mac 86
  - Windows 82
- margins, small
  - copying 254
- memory
  - included 19
- memory chip (toner)
  - locating 72
- minimum system requirements
  - macOS 30
  - Windows 30



- mobile printing
  - Android devices 93, 96
- mobile printing solutions 19
- multiple pages per sheet
  - printing (Mac) 86
  - printing (Windows) 82
- N**
- Near Field Communication printing 93, 94
- Netscape Navigator, versions supported
  - HP Embedded Web Server 172
- network
  - printer name, changing 183
  - settings, changing 183
  - settings, viewing 183
- network duplex settings, changing 183
- Network Folder, scan to 153
- network link speed settings, changing 183
- network settings
  - HP Embedded Web Server 172, 174, 181
- networks
  - default gateway 183
  - HP Web Jetadmin 190
  - IPv4 address 183
  - IPv6 address 183
  - subnet mask 183
  - supported 19
- NFC connect and print 93, 94
- O**
- on/off button
  - locating 5, 6, 7, 8
- online help, control panel 191
- operating systems, supported 30
- optimize copy images 254
- optimize fax images 262
- optimize scanned images 258
- ordering
  - supplies and accessories 68
- other links list
  - HP Embedded Web Server 172, 174, 176
- output bin
  - clear jams 203
  - locating 5, 6, 7, 8

- P**
- pages per minute 19
- pages per sheet
  - selecting (Mac) 86
  - selecting (Windows) 82
- paper
  - jams 203, 204
  - loading the 4,000-sheet high-capacity input tray 53
  - loading Tray 1 38
  - loading Tray 2 45
  - selecting 238, 243
  - Tray 1 orientation 38, 39
- paper jams
  - 550-sheet trays 203
  - duplexer 203
  - locations 203
  - output bin 203
  - Tray 1 203
  - Tray 2 203
- paper pickup problems solving 195, 198
- paper trays
  - overview 37
- paper type
  - selecting (Windows) 82
- paper types
  - selecting (Mac) 86
- paper, ordering 68
- part numbers
  - replacement parts 70
  - staple cartridges 70
- parts
  - overview 67
- ports
  - locating 10, 11, 12
- potential shock hazard 2
- power
  - consumption 34
- power connection
  - locating 10, 11, 12
- power switch
  - locating 5, 6, 7, 8
- power usage 189
- print drivers
  - Linux 30
  - macOS 30
  - UNIX 30
  - Windows 30

- print media
  - loading in Tray 1 38
- print on both sides
  - Mac 86
  - manually, Windows 82
  - Windows 82
- print settings
  - HP Embedded Web Server 172, 174, 176
- printer
  - overview 1
- printer memory
  - sending to 150
- printer memory, scan to 150
- printing
  - from USB storage accessories 97
  - overview 81
  - stored jobs 89
- printing on both sides
  - settings (Windows) 82
- priority input tray
  - loading envelopes 59
- private printing 89

- R**
- replacement parts
  - part numbers 70
- replacing
  - toner cartridges 72
- required settings
  - fax 162
- reset factory settings 193
- resolution
  - copy and scan 19
- right door
  - locating 5, 6, 7, 8

- S**
- Save to printer memory 150
- scan settings
  - HP Embedded Web Server 172, 174, 177
- Scan to Network Folder 153
  - initial setup 123
- Scan to USB Drive 158
  - enabling 143
- scanner
  - calibrate 254
  - glass cleaning 254, 258, 262

- scanning
    - optimize for text or pictures 258
    - overview 107
    - resolution 19
  - scanning to email
    - sending documents 147
  - scanning to folder 153
  - scanning to printer folder 150
  - scanning to printer memory 150
  - scanning to USB 158
  - security settings
    - HP Embedded Web Server 172
  - security
    - encrypted hard disk 186, 188
  - security lock slot
    - locating 10, 11, 12
  - security settings
    - HP Embedded Web Server 174, 179
  - sending to email
    - sending documents 147
  - service fluid container
    - replace 76
  - settings
    - fax 163, 169
    - reset to factory (default) settings 193
  - Sign In button
    - locating 15
  - Sign Out button
    - locating 15
  - sleep delay
    - setting 189
  - small margins 254
  - special paper
    - printing (Windows) 82
  - specifications
    - electrical and acoustic 34
  - speed, optimizing 189
  - stapler
    - setting default staple location 63
  - stapler door
    - locating 10, 11
  - stapling
    - configure the operation mode 63, 64
    - setting default location 63
  - Start Copy button
    - locating 15
  - status, fax accessory page 266, 267
  - storage, job
    - Mac settings 89
  - store print jobs 89
  - stored jobs
    - creating (Mac) 89
    - creating (Windows) 89
    - deleting 89, 92
    - printing 89
  - storing jobs
    - with Windows 89
  - subnet mask 183
  - supplies
    - HP Embedded Web Server 179
    - low threshold settings 193
    - ordering 68
    - overview 67
    - part numbers 70
    - replacing toner cartridges 72
    - using when low 193
  - supported operating systems 30
  - system requirements
    - HP Embedded Web Server 172
  - locating 5, 6, 7, 8
  - use alternative letterhead mode 44, 52, 58
  - troubleshooting
    - check toner-cartridge status 238, 241
    - jams 203, 204
    - overview 191
    - paper feed problems 195
  - troubleshooting tools
    - HP Embedded Web Server 172, 174, 179
  - two-sided printing
    - settings (Windows) 82
- U**
- USB
    - sending to 158
  - USB port
    - enabling 97, 98, 100
    - locating 10, 11, 12
  - USB storage accessories
    - printing from 97
- W**
- web browser requirements
    - HP Embedded Web Server 172
  - websites
    - HP Web Jetadmin, downloading 190
  - weight, printer 31
  - Wi-Fi Direct Print 93, 94